

Sailor

Sailor

**INSTRUKTIONSBOG FOR
SAILOR S1301**

**INSTRUCTION BOOK FOR
SAILOR S1301**



A/S S. P. RADIO · AALBORG · DENMARK

CONTENTS

GENERAL DESCRIPTION	2
TECHNICAL DATA	3
CONTROLS	4
PRINCIPLE OF OPERATION	5
PRINCIPAL DESCRIPTION OF TELEGRAPHY MODE	
PRINCIPAL DESCRIPTION OF TELEX MODE	
SERVICE:	
1. MAINTENANCE	
2. NECESSARY TEST EQUIPMENT	
3. TROUBLE-SHOOTING	
4. PERFORMANCE CHECK FOR S1301	
5. ADJUSTMENT PROCEDURE FOR S1301	
6. NECESSARY ADJUSTMENTS AFTER REPAIR FOR S1301	
7. FUNCTION CHECK FOR S1301	
PIN CONFIGURATIONS	
ADJUSTMENT LOCATIONS	
CIRCUIT DESCRIPTION AND SCHEMATIC DIAGRAMS	
MICROTELEPHONE INSTALLATION	
PARTS LIST	
MAIN SCHEMATIC DIAGRAM	

GENERAL DESCRIPTION

SAILOR S1301 is a telephony exciter for use in conjunction with the transmitter T1127.

SAILOR S1301 Transmitting frequency can be free selected in the frequency range 1.6 - 4.0 MHz and the 4, 6, 8, 12, 16, 22 and 25 MHz maritime HF bands.

SAILOR S1301 uses a digital synthesizer for frequency generation. The frequency stability is controlled from one 10 MHz TCXO.

SAILOR S1301 produces completely finished signals on the transmission frequency.

SAILOR S1301 can be used for telephony in the following modes: A3J, A3A and A3H.

SAILOR S1301 can be used for telegraphy in the two modes A1 and A2H.

SAILOR S1301 can be used in conjunction with a teleprinter via e.g. a Simplex TOR equipment.

SAILOR S1301 is provided with a built-in alarm signal generator for distress calls.

SAILOR S1301 fits into SAILOR 19" rack system.

SAILOR S1301 is supplied from N1400 (24V DC) or N1401 (AC mains).

TECHNICAL DATA

The exciter S1301 delivers USB signals.

Frequency range: MF: 1.6 - 4.0 MHz
HF: 4, 6, 8, 12, 22 and 25 MHz maritime bands.

FREQUENCY RESOLUTION: 100 Hz

Frequency stability:

Temperature range 0°C to +40°C: Less than + 1 ppm (+25 Hz)
Long term stability : Less than + 1 ppm (+25 Hz/year)
Short term stability : Less than + 2 Hz

Mode of operation: A3J, A3A and A3H

Distress call: Automatic A3H on 2182 kHz
Two-Tone-Alarm: 1300 and 2200 Hz.
with a duration of 45 secs.

Output power: 1 Watt PEP/50 ohm

Output power reduction: In four 5dB steps (-20dB)

Modulation: 350 - 2700 Hz with compressor

Operation temperature range: -15°C to + 55°C

TECHNICAL DATA for connections on REAR-CONTACT-BOARD.

AF FROM TELEX TO TX: $R_{IN} = 600 \text{ ohm}$
 $-17 \text{ dBm} \leq P_{IN} \leq 3 \text{ dBm}$
 $110 \text{ mV}_{RMS} \leq V_{IN} \leq 1.1 \text{ V}_{RMS}$

AF FROM RECEIVER TO TELEX: $R_{OUT} = 600 \text{ ohm}$
 $P_{OUT} = 0 \text{ dBm}$
 $V_{OUT} = 750 \text{ mV}_{RMS}$

COMMON FOR RT & TT: Max. consumption is 75 mA at +60V connection.

TT FROM TELEX: $I_{max.} = 50 \text{ mA}$

AF FROM TELEX: $I_{max.} = 25 \text{ mA}$

TRANSMITTER START: $I_{max.} = 210 \text{ mA}$ Voltage between the opened contact is 22V.

TECHNICAL DATA FOR TELEGRAPHY AND TELEX

Data for SAILOR short-wave station.

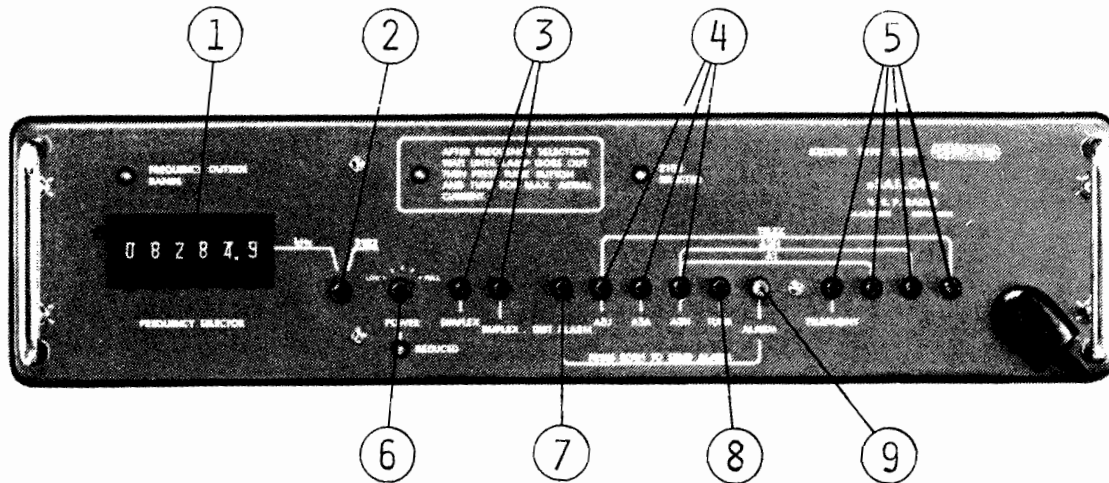
Output power A1: 200 W PEP (1.6 - 4 MHz)
400 W PEP (4 - 25 MHz)

Output power A2H: 400 W PEP (1.6 - 4 MHz)
800 W PEP (4 - 25 MHz)

Output power TELEX:
Simplex TOR mode 400 W PEP (1.6 - 4 MHz)
800 W PEP (4 - 25 MHz)

Broadcast mode 200 W PEP (1.6 - 4 MHz)
400 W PEP (4 - 25 MHz)

CONTROLS



① FREQUENCY SELECTOR

For selection of the transmitting frequency in the maritime bands.

② DISTRESS (2182 kHz)

For selection of the distress frequency 2182 kHz.

③ SIMPLEX, DUPLEX

Press button SIMPLEX for Single-Frequency Operation.
Press button DUPLEX for Two-Frequency Operation.

④ A3J, A3A and A3H

Select transmission mode A3J, A3A or A3H.

⑤ TELEPHONY-TELEGRAPHY-TELEX

TELEPHONY: To be activated for normal telephony use.

TELEGRAPHY: Activate the buttons A1 or A2H together with the button A3H ⑤ .

The telegraph key is now connected to transmitter.

TELEX: Activate the button TELEX together with the button A3J ⑤ .
The teleprinter is now connected via the Simplex TOR equipment to the receiver and transmitter.

⑥ POWER

For reducing the RF-output-Power in four 5 dB steps to about -20 dB.

⑦ TEST ALARM

Press button TEST ALARM and the two-tone-alarm signal will be heard in the microtelephone handset.

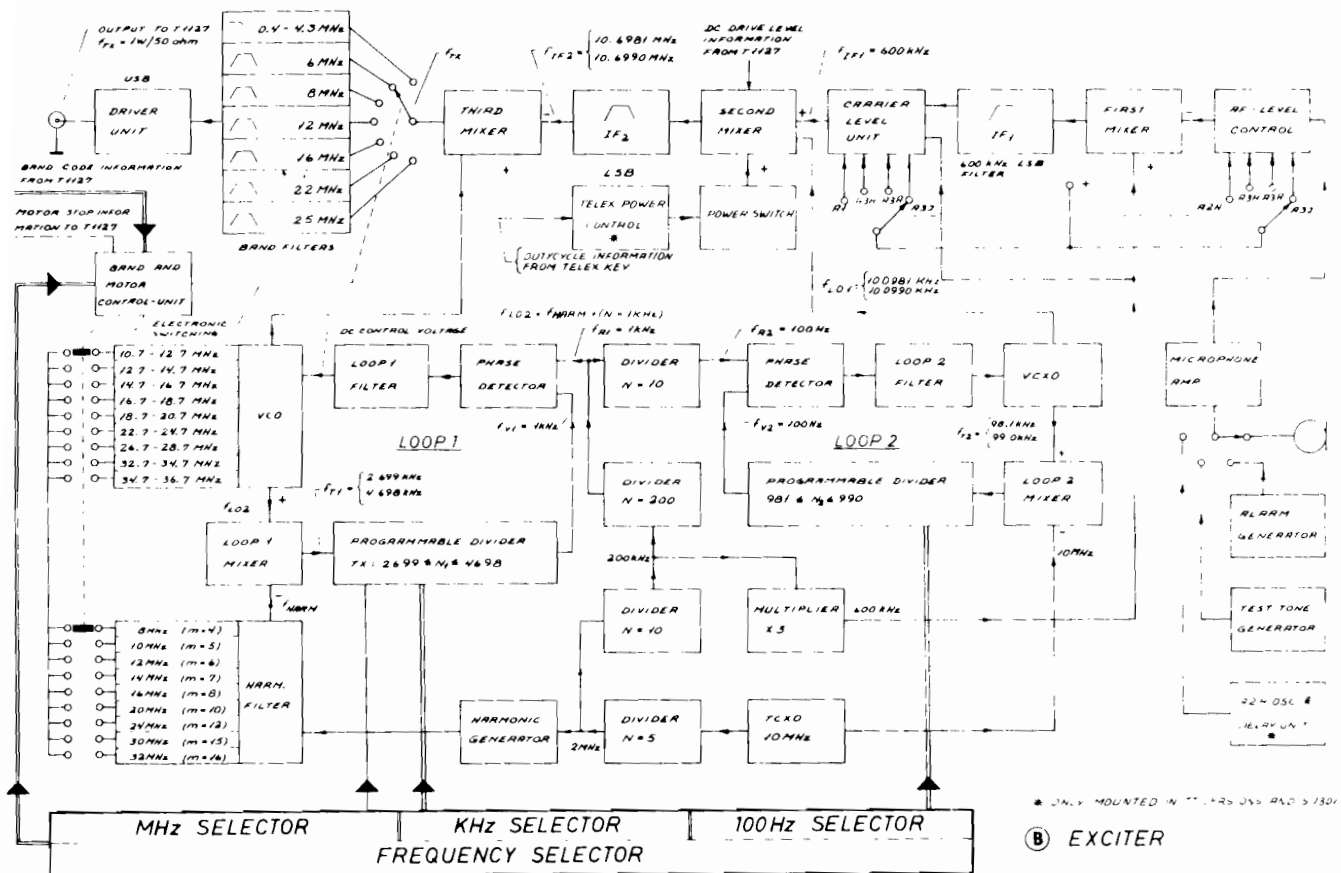
⑧ TUNE

For tuning of Transmitter T1127, a two-tone signal is generated.

⑨ ALARM

Press both TEST ALARM ⑥ and ALARM ⑦ for transmitting two-tone alarm signal on the DISTRESS frequency 2182 kHz.

PRINCIPLE OF OPERATION



EXCITER S1300TT & S1301

The SAILOR Exciter S1300TT and S1301 are fully synthesized and deliver USB signals on the carrier frequency.

The signal from the Microphone, the Alarm Generator or the Test-Tone-Generator is fed to the Microphone Amplifier, where the necessary amplification, amplitude limitation and filtering take place. The amplitude limitation is performed by a compressor stage, which regulates the amplification, so that the amplitude will always be kept below a certain max. level. The AF-signal is fed via AF Level-Control to the first Mixer. The AF-Level-Control is determining the right AF level in the modes A3J, A3A, A3H and A2H. The First Mixer is a balanced modulator where a 600 kHz double-side-band signal is generated. The DSB-signal is then fed through the 600 kHz LSB crystal-filter and out we have a lower-side-band signal to the Carrier-Level-Unit.

In the Carrier-Level-Unit reinsertion of 600 kHz carrier for A3A, A3H, A2H and A1 takes place. The 600 kHz signal is then passed on to the Second-Mixer which also receives the local-oscillator-signal f_{L01} from Loop 2. The Second-Mixer also receives a DC Drive Level Information from T1127 which can attenuate the output from the mixer to the wanted drive level. The output from the Second-Mixer is an LSB-signal f_{IF2} and it passes through a crystal filter to the Third Mixer.

PRINCIPLE OF OPERATION cont.:

Third Mixer is a double balanced mixer where both the local oscillator signal f_{L02} and 2nd IF-signal f_{IF2} is suppressed. The output from the mixer is the carrier frequency f_{TX} , with the upper side-band. The band filter section serves the purpose of removing all undesired mixing products and the signal passes from the Band-Filters to the Driver-Unit where the final amplification to max. 1 Watt PEP/50 ohm takes place.

FREQUENCY GENERATION

The necessary frequencies are generated by two frequency synthesizers according to the Phase Locked Loop principle.

Local oscillator signal f_{L02} to Third Mixer is generated in the Phase Locked Loop 1 and has a resolution of 1 kHz.

Local oscillator signal f_{L01} to Second Mixer is generated in the Phase-Locked Loop 2 and has a resolution of 100 Hz.

LOOP 1

The voltage controlled oscillator (VCO) generates the necessary local oscillator frequencies in nine 2 MHz bands electronically selected by the MHz Selector via the Band and the Motor Control Unit. Inside each 2 MHz band the VCO-frequency f_{L02} can be varied by means of a DC control voltage from the Phase-Detector. The DC control voltage is filtered in the Loop 1 Filter.

The Phase Detector receives two signals, one variable frequency f_{V1} and one reference frequency f_{R1} . The reference frequency f_{R1} is a result of the 10 MHz TCXO frequency being divided down to 1 kHz.

The variable frequency f_{V1} is generated from the VCO frequency f_{L02} in the following way:

In the Loop 1 Mixer the counter frequency f_{T1} is produced from the VCO frequency f_{L02} and the frequency f_{HARM} which is a multiple of 2 MHz. The 2 MHz signal is generated from the 10 MHz TCXO

$$f_{T1} = f_{L02} - f_{HARM} = f_{L02} - (m \times 2 \text{ MHz}) = N_1 \times 1 \text{ kHz}$$

For every 2 MHz band a new f_{HARM} is selected of the MHz Selector and it always results in a variation of 2 MHz of the frequency f_{T1} to the Programmable Divider.

The frequency f_{T1} is divided down by the dividing figure N_1 in the Programmable-Divider to the variable frequency f_{V1}

$$f_{V1} = f_{T1} / N_1 = 1 \text{ kHz}$$

The working principle in a Phase-Locked-Loop is as follows:

If there is a phase error between the variable frequency f_{V1} and the reference frequency f_{R1} , the regulation system has the characteristic that the DC-Control Voltage will correct the VCO frequency and consequently the variable frequency f_{V1} , so that f_{V1} will always follow the reference frequency f_{R1} in phase

$$f_{R1} = f_{V1} = 1 \text{ kHz}$$

PRINCIPLE OF OPERATION cont.:

The VCO frequency f_{LO2} is now phase locked on a fixed frequency to the reference frequency f_{R1} and has therefore the same accuracy as this.

Changing of the VCO frequency f_{LO2} by e.g. 1 kHz can be performed by changing the dividing figure N_1 in the Programmable Divider by one.

$$f_{LO2} = f_{HARM} + (N_1 \times 1 \text{ kHz})$$

Principle of programming is as follows:

The Programmable Divider contains a counter circuit, which is counting down from a start figure $2000 + P_1$ and stops at the stop figure S_1 . Each time the counter reaches the stop figure S_1 , a pulse (f_{V1}) is given to the Phase Detector, and the counter will start counting down again from the start figure $2000 + P_1$. Division of f_{T1} by N_1 has now been achieved

$$f_{V1} = f_{T1}/N_1; N_1 = 2000 + P_1 - S_1$$

A special code from the MHz Selector to the Band and Motor-control-unit selects the right 2 MHz band for the VCO and Harmonic Filter.

Inside each 2 MHz band the programmable figure P_1 , is encoded from the Frequency Selector (MHz and kHz positions) in BCD-code representing the direct frequency reading of the 2 MHz band.

$$\text{Start-figure: } 2000 + P_1; 0 \leq P_1 \leq 1999$$

$$\text{Stop-figure : } S_1 = -699$$

$$N_1 = 2000 + P_1 - S_1 = P_1 + 2699$$

Output frequency from Loop 1:

$$f_{LO2} = m \times 2 \text{ MHz} + (P_1 + 2699) \times 1 \text{ kHz} \quad 4 \leq m \leq 16$$

LOOP 2

Phase Locked Loop 2 has a frequency variation of 1 kHz with a resolution of 100 Hz and the working principle is the same as for Phase Locked Loop 1. Principle of programming is as follows:

The frequency shift in Loop 2 is controlled from the 100 Hz Selector.

The Programmable Divider is counting up from the start figure P_2 to the stop figure S_2 .

The 100 Hz Selector is encoding the start-figure P_2 in BCD-code to the Programmable Divider.

$$\text{Start figure} \quad : 0 \leq P_2 \leq 9$$

$$\text{Stop figure} \quad : S_2 = 990$$

$$\text{Dividing figure} : N_2 = S_2 - P_2 = 990 - P_2$$

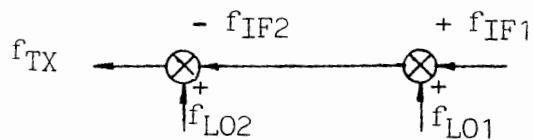
PRINCIPLE OF OPERATION cont.:

Output frequency from Loop 2:

$$f_{L01} = 10 \text{ MHz} + (N_2 \times 0,1 \text{ kHz}) = 10 \text{ MHz} + ((990 - P_2) \times 0,1 \text{ kHz});$$

$$f_{L01} = 10,099 \text{ MHz} - (P_2 \times 0,1 \text{ kHz});$$

CARRIER FREQUENCY f_{TX} FROM EXCITER S1300



$$f_{IF1} = 0,600 \text{ MHz};$$

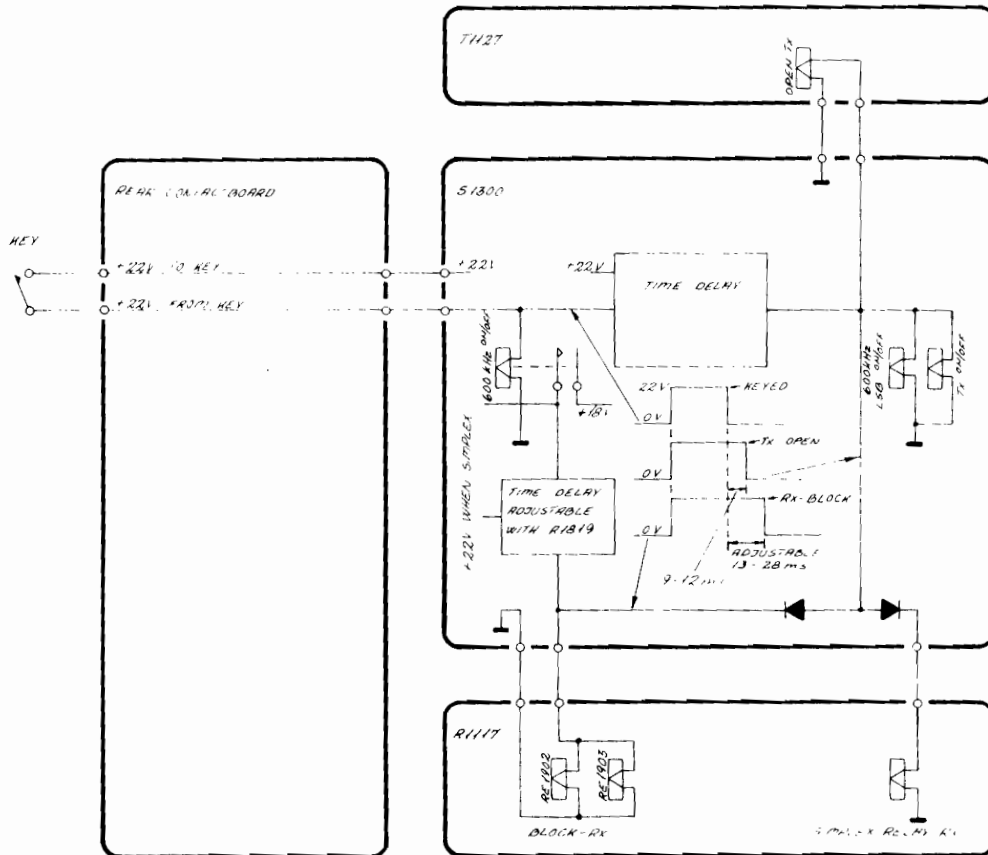
$$f_{L01} = 10,099 \text{ MHz} - (P_2 \times 0,1 \text{ kHz});$$

$$f_{IF2} = f_{IF1} + f_{L02} = 10,699 \text{ MHz} - (P_2 \times 0,1 \text{ kHz})$$

$$f_{L02} = m \times 2 \text{ MHz} + (P_1 + 2699) \times 1 \text{ kHz} \quad 4 \leq m \leq 16$$

$$f_{TX} = f_{L02} - f_{IF2} = (m - 4) \times 2 \text{ MHz} + (P_1 + (0,1 \times P_2)) \times 1 \text{ kHz}$$

PRINCIPAL DESCRIPTION OF TELEGRAPHY MODE



TELEGRAPHY:

See principal diagram above.

PULSE SHAPING

When the KEY is pressed and released the transmission starts and stops. An RC-network on MODE-SWITCH-UNIT shapes the transmitter output signal. The switch off time of the transmitter is delayed 10 msec in order to produce the correct output signal shape.

FULL BREAK-IN

The receiver is blocked for a time period of about 23 msec after the KEY is released. This secures full break-in on the receiver.

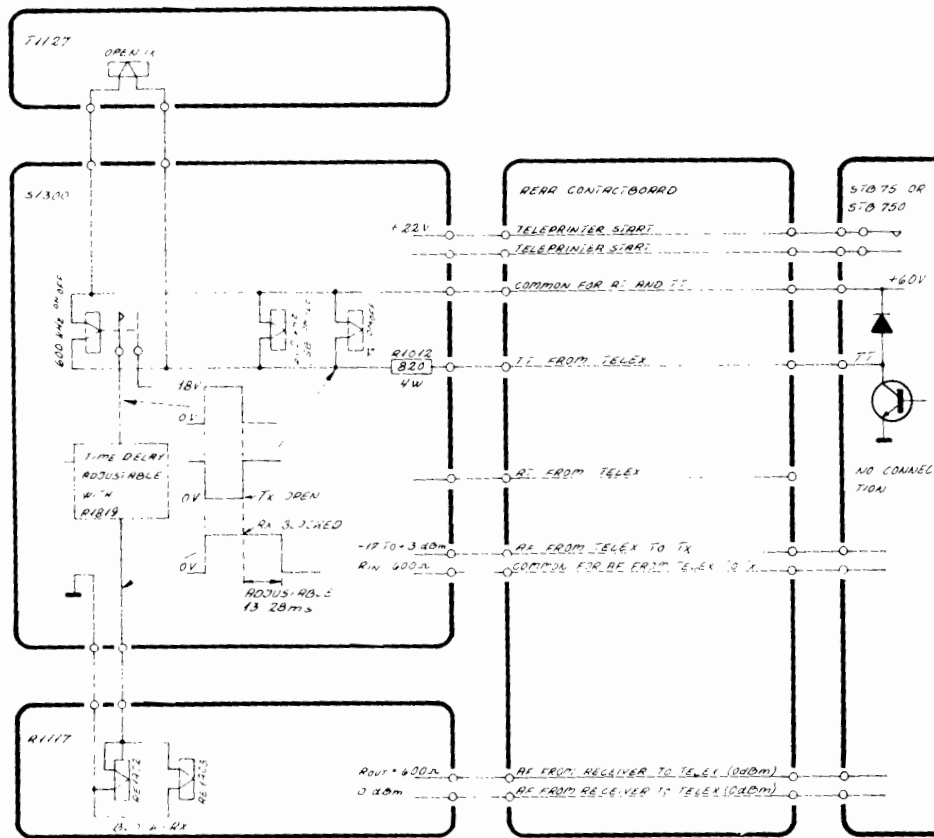
INSTALLATION

All connections are done on the REAR CONTACTBOARD placed on the mounting plate.

PRINCIPAL DESCRIPTION OF TELEX MODE

TELEX

The SAILOR Short-Wave Station is designed to be connected to a TELEPRINTER via a SIMPLEX TOR equipment. The control signals to the exciter match with Philips Simplex TOR equipment STB75/STB750. See the principal diagram below.



TELEPRINTER START

By means of these terminals it is possible to start the transmitter from Simplex TOR equipment.

The station is switched on as described in the OPERATING INSTRUCTIONS. After that the station is controlled from the Simplex TOR equipment. When a CALL-CODE is received, the TOR short-circuits the terminals TELEPRINTER START and the station is immediately ready to send an answer.

TT FROM TELEX

This information is used to switch the station between transmit and receive mode. When the TT information goes low the transmitter is open and the receiver is blocked. When the TT information goes high the transmission stops immediately and the receiver is blocked for another 13-28 msecs controlled from the DELAY-UNIT (adjustable with R1819). This delay must last until the transmitter output is less than the sensitivity of the receiver. The delay is pre-adjustable from the factory to 18 msecs, which secures a good reception with only 20 dB attenuation between the transmitter and receiver aeri-als.

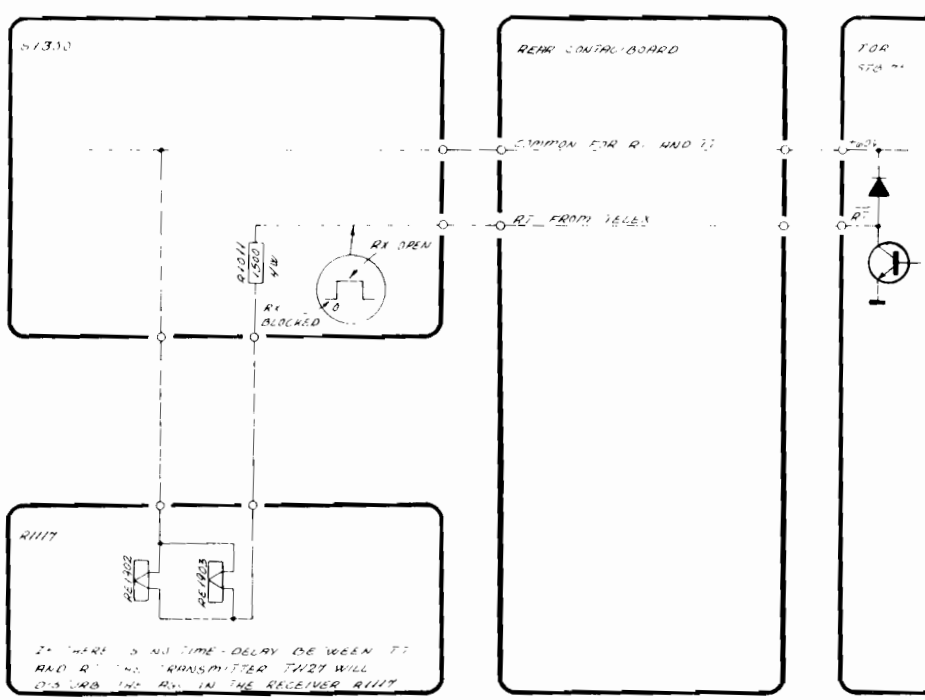
COMMON FOR RT & TT

It shall be connected to +60V in STB75/STB750. If another voltage source is used the resistor R1012 (820 ohm) on MODE-SWITCH-UNIT must be changed.

$$R1012 = \frac{V - 24}{0,045} \quad (\text{ohm})$$

SEPARATE BLOCKING OF RECEIVER

See principal diagram below.



RT FROM TELEX

This terminal is normally not connected, but if it is necessary the receiver can be blocked directly from STB75/STB750 (see principal diagram of separate blocking of the receiver).

The following must be changed in S1300:

- On the FILTER-board (900) the brown/black wire from pin 29 in the Molex-plug must be moved from ground to the free terminal beside the white/orange wire.
- The grey/black wires from RX-block on A2H-OSC. and DELAY UNIT (1800) must be disconnected from the printed circuit board, but they shall remain interconnected. NOTE! It is RT in STB75/STB750 that must be used.

If there is no delay between TT and RT, the transmitter will affect the AGC-voltage in the receiver.

If RT FROM TELEX is used R1011 must be changed too.

$$R1011 = \frac{V - 24}{0,025} \quad (\text{ohm})$$

INSTALLATION

All connections are done on the REAR CONTACTBOARD placed on the mounting plate.

SERVICE

1. MAINTENANCE
2. NECESSARY TEST EQUIPMENT
3. TROUBLE-SHOOTING
4. PERFORMANCE CHECK
5. ADJUSTMENT PROCEDURE
6. NECESSARY ADJUSTMENTS AFTER REPAIR
7. FUNCTION CHECK
8. MECHANICAL DISASSEMBLING T1127 ONLY

1. MAINTENANCE

1.1.

When the SAILOR SHORT WAVE SET type 1000 has been correctly installed, the maintenance can, depending on the environment and working hours, be reduced to a performance check at the service workshop at intervals not exceeding 5 years. A complete performance check list is enclosed in the PERFORMANCE CHECK section.

Also inspect the antennas, cables and plugs for mechanical defects, salt deposits, corrosion and any foreign bodies.

Along with each set a TEST SHEET is delivered, in which some of the measurements made at the factory are listed. If the performance check does not show the same values as those on the TEST SHEET, the set must be adjusted as described under ADJUSTMENT PROCEDURE.

Any repair of the set should be followed by a FUNCTION CHECK of the unit in question.

2. NECESSARY TEST EQUIPMENT

T1127	N140X	S1300	R1117	
X	X	X	X	<u>OSCILLOSCOPE:</u> Bandwidth 0-25 MHz Sensitivity 2mV/cm Input impedance 1 Mohm//30 pF Triggering EXT-INT-ENVELOPE E.g. PHILIPS PM3212
X		X	X	<u>PASSIVE PROBE:</u> Attenuation 10x Input resistance DC 10 Mohm Input capacitance 15 pF Compensation range 10 pF - 30 pF E.g. PHILIPS PM 9396
		X	X	<u>MULTIMETER:</u> Sensitivity (f.s.d.) 1V Input impedance 10 Mohm Accuracy (f.s.d.) <u>+2%</u> E.g. PHILIPS PM2503
X	X			<u>MULTIMETER:</u> Sensitivity 0.3V and 3A Input impedance 30 Kohm/V Accuracy (F.S.d.) <u>+1%</u> Current range 100A Voltage range 500V, and 2.5 kV E.g. Unigor A43, with probe and shunt

NECESSARY TEST EQUIPMENT cont.:

T1127	N140X	S1300	R1117
		X	
			X
		X	X
			X

TONEGENERATOR:

Frequency range 200 - 3000 Hz
 Output 1V RMS
 Output impedance ≤ 600 ohm
 E.g. PHILIPS PM5107

AF VOLTMETER:

Sensitivity (f.s.d.) 300 mV
 Input impedance ≥ 4 ohm
 Accuracy (f.s.d.) ± 5 %
 Frequency range 100 Hz - 5 kHz
 E.g. PHILIPS PM2503

FREQUENCY COUNTER:

Frequency range 100 Hz - 40 MHz
 Resolution 0,1 Hz at $f \geq 10$ MHz
 Accuracy $1 \cdot 10^{-7}$
 Sensitivity 100 mV RMS
 Input impedance 1 Mohm
 Single period measurement range 1 sec.
 resolution 1 mS
 E.g. PHILIPS PM6611 + PM9679

SIGNAL GENERATOR

Frequency range 550 kHz - 30 MHz
 R1118: 100 kHz - 30 MHz
 Output impedance 50/75 ohm
 Output voltage 1 uV - 100 mV EMF
 Modulation AM, 30%, 1000 Hz
 E.g. PHILIPS PM5326

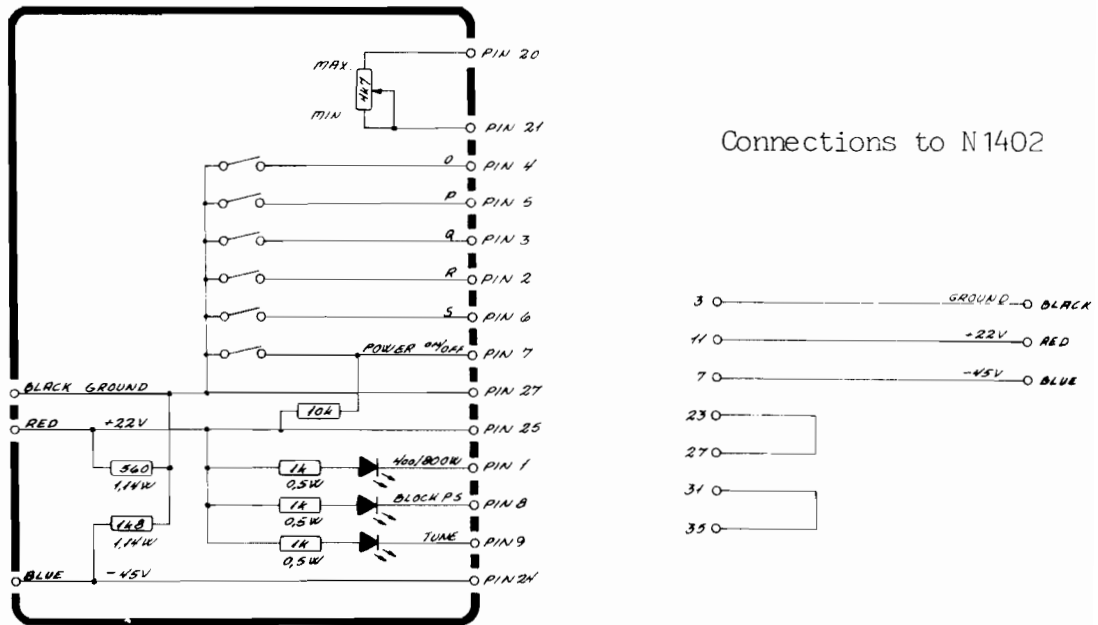
NECESSARY TEST EQUIPMENT cont.:

T1127	N140X	S1300	R1117	
X				<p><u>POWER SUPPLIES</u></p> <p>T1127:</p> <p>V_{out} 26,5V DC</p> <p>I_{out} 60A DC</p> <p>E.g. 2 pcs. LAMBDA type LMG24</p>
		X	X	<p>R1117/S1300:</p> <p>$V_{out} 1$ 22V</p> <p>$I_{out} 1$ 1,5A</p> <p>$V_{out} 2$ -45V</p> <p>$I_{out} 2$ 0,2A</p> <p>E.g. SAILOR POWER SUPPLY type N1402</p>
		X		<p><u>TEST BOX S1300:</u> SP type S1300/01 TEST BOX</p> <p><u>For S1300TT and S1301 only:</u></p> <p>SP: ARTIFICIAL KEY for S1300TT and S1301</p>
X				<p><u>POWER METER:</u></p> <p>Power range 500W</p> <p>E.g. Bird Thruline Wattmeter Model 43</p> <p>plug-in element 500W 2-30 MHz</p> <p>impedance 50 ohm</p>
X				<p><u>RF-AMMETER (Thermocross)</u></p> <p>Current range 5A</p> <p>E.g. HELWEG MIKKELSEN & CO. Copenhagen, Denmark</p> <p>type TR-68x71 5A</p>
X		X		<p><u>DUMMY LOAD for HF bands, 4 MHz to 25 MHz</u></p> <p>Impedance 50 ohm</p> <p>Frequency range 0-25 MHz</p> <p>Power range 500W</p> <p>E.g. BIRD Termaline Coaxial resistor Model 8401</p>

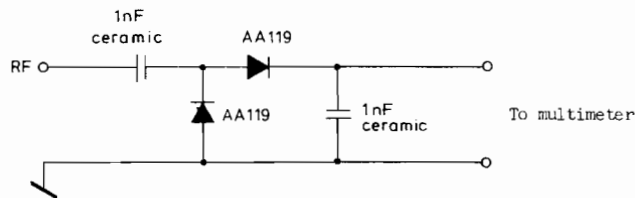
B 3/5

NECESSARY TEST EQUIPMENT cont.:

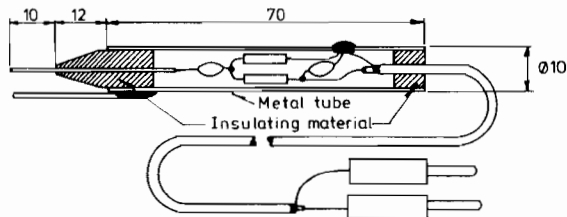
SCHEMATIC DIAGRAM FOR TESTBOX S1300/1301.



DIODE PROBE



LAYOUT OF THE PROBE



A 475

Necessary test equipment cont.:

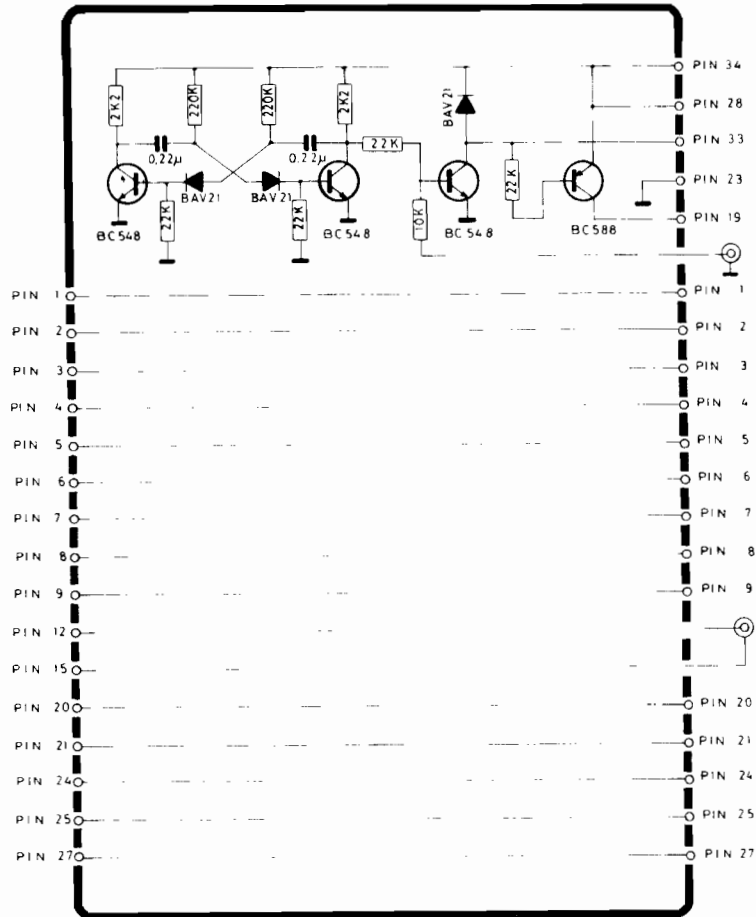
FREQUENCY TABLE FOR TEST STRIPS

Programming Code								Programming Code							
Progr. freq.	Pos.	zyxv	M	100	10	1	0,1	Progr. freq.	Pos.	zyxv	M	100	10	1	0,1
			A	DCBA	DCBA	DCBA	DCBA				A	DCBA	DCBA	DCBA	DCBA
2000,5	1A	0101	0	0000	0000	0000	0101	25999,0	10A	1100	1	1001	1001	1001	0000
2000,0	1B	0100	0	0000	0000	0000	0000	24000,0	10B	1100	0	0000	0000	0000	0000
2000,9	1C	0010	0	0000	0000	0000	1001	NONE	10C	1111	0	0000	0000	0000	0000
2000,0	1D	0001	0	0000	0000	0000	0000	NONE	10D	0000	0	0000	0000	0000	0000
2200,0	2A	0001	0	0010	0000	0000	0000	2000,0	11A	0101	0	0000	0000	0000	0000
2600,0	2B	0001	0	0110	0000	0000	0000	4400,0	11B	0110	0	0100	0000	0000	0000
1600,0	2C	0001	1	0110	0000	0000	0000	3000,0	11C	0101	1	0000	0000	0000	0000
2400,9	2D	0011	0	0100	0000	0000	1001	5000,0	11D	0110	1	0000	0000	0000	0000
1888,8	3A	0001	1	1000	1000	1000	1000	6200,0	12A	0111	0	0010	0000	0000	0000
2444,4	3B	0001	0	0100	0100	0100	0100	6263,0	12B	0111	0	0010	0110	0011	0000
4222,2	3C	0110	0	0010	0010	0010	0010	6325,0	12C	0111	0	0011	0010	0101	0000
6300,0	3D	0111	0	0011	0000	0000	0000	NONE	12D	0000	0	0000	0000	0000	0000
8300,0	4A	1000	0	0011	0000	0000	0000	8195,0	13A	1000	0	0001	1001	0101	0000
12300,0	4B	1001	0	0011	0000	0000	0000	8315,0	13B	1000	0	0011	0001	0101	0000
16300,0	4C	1010	0	0011	0000	0000	0000	8435,0	13C	1000	0	0100	0011	0101	0000
22111,1	4D	1011	0	0001	0001	0001	0001	NONE	13D	0000	0	0000	0000	0000	0000
25300,0	5A	1100	1	0011	0000	0000	0000	12330,0	14A	1001	0	0011	0011	0000	0000
NONE	5B	0000	0	0000	0000	0000	0000	12491,0	14B	1001	0	0100	1001	0001	0000
400,0	5C	1101	0	0100	0000	0000	0000	12652,0	14C	1001	0	0110	0101	0010	0000
2182,0	5D	1110	0	0001	1000	0010	0000	NONE	14D	0000	0	0000	0000	0000	0000
1999,0	6A	1101	1	1001	1001	1001	0000	16460,0	15A	1010	0	0100	0110	0000	0000
0000,0	6B	1101	0	0000	0000	0000	0000	16660,0	15B	1010	0	0110	0110	0000	0000
3999,0	6C	0010	1	1001	1001	1001	0000	16859,0	15C	1010	0	1000	0101	1001	0000
2000,0	6D	0010	0	0000	0000	0000	0000	NONE	15D	0000	0	0000	0000	0000	0000
5999,0	7A	0110	1	1001	1001	1001	0000	22000,0	16A	1011	0	0000	0000	0000	0000
4000,0	7B	0110	0	0000	0000	0000	0000	22156,0	16B	1011	0	0001	0101	0110	0000
7999,0	7C	0111	1	1001	1001	1001	0000	22311,0	16C	1011	0	0011	0001	0001	0000
6000,0	7D	0111	0	0000	0000	0000	0000	NONE	16D	0000	0	0000	0000	0000	0000
9999,0	8A	1000	1	1001	1001	1001	0000	25070,0	17A	1100	1	0000	0111	0000	0000
8000,0	8B	1000	0	0000	0000	0000	0000	25090,0	17B	1100	1	0000	1001	0000	0000
13999,0	8C	1001	1	1001	1001	1001	0000	25110,0	17C	1100	1	0001	0001	0000	0000
12000,0	8D	1001	0	0000	0000	0000	0000	NONE	17D	0000	0	0000	0000	0000	0000
17999,0	9A	1010	1	1001	1001	1001	0000	595,0	18A	1101	0	0101	1001	0101	0000
16000,0	9B	1010	0	0000	0000	0000	0000	598,0	18B	1101	0	0101	1001	1000	0000
23999,0	9C	1011	1	1001	1001	1001	0000	601,0	18C	1101	0	0110	0000	0001	0000
22000,0	9D	1011	0	0000	0000	0000	0000	NONE	18D	0000	0	0000	0000	0000	0000

R 5/5

NECESSARY TEST EQUIPMENT cont.:

ARTIFICIAL KEY for S1300TT and S1301.



The ARTIFICIAL KEY is designed to connect between the exciter and the TEST BOX S1300/O1. The necessary wires is fed through to the TEST BOX, and a multi-vibrator keys via two transistors the exciter in the telex and telegraphy mode. The key frequency is approx. 15 Hz. Additionally there is taken out pulses to trig an oscilloscope, an AF signal can be fed into the exciter to modulate it in the telex mode.

S1301/S1300TT A

3. TROUBLE-SHOOTING

Trouble-shooting should only be performed by persons with sufficient technical knowledge, who have the necessary test equipment at their disposal, and who have carefully studied the operation principles and structure of the unit in question.

Start to find out whether the fault is somewhere in the antenna circuit, the power source, or in the short wave set.

For help with trouble-shooting in the short wave set there is a built-in test meter and test meter switch, located behind the air filter on the power supply.

When the fault has been located to a certain unit look up the PERFORMANCE CHECK list in the instruction book and make relevant performance check to incircle the fault. Then look up the CIRCUIT DESCRIPTION. This section contains schematic diagrams, description of the modules and pictures showing the location of the components. (ADJUSTMENT LOCATIONS).

Typical AC and DC voltages are indicated on the schematic diagrams.

No adjustment must take place unless the service workshop has the necessary test equipment to perform the ADJUSTMENT PROCEDURE in question.

After repair or replacement of the module look up the section NECESSARY ADJUSTMENTS AFTER REPAIR to see, whether the unit has to be adjusted or not.

Anyway the unit has to have a complete FUNCTION CHECK after repair.

TROUBLE-SHOOTING cont.:

TROUBLE-SHOOTING IN THE FREQUENCY GENERATING CIRCUIT

LOOP 1

If the fault has been located to LOOP 1 the following hints can be used for trouble-shooting.

If there is no output signal from the VCO the fault has to be found in the VCO-UNIT.

If the output frequency from the VCO is lower than the low frequency limits or higher than the high frequency limits of the 2 MHz band in question, the phase locked loop 1 is out of lock. For VCO frequencies look-up the section PRINCIPLE OF OPERATION.

1. Check the LOOP 1 MIXER output signal on the terminal "Loop 1 out".
 - a. If there is no output signal, the failure is on LOOP 1 MIXER, HARMONIC FILTER UNIT or VCO-UNIT.
 - b. If the output frequency is approx. 2 MHz or approx. 5 MHz, the VCO-UNIT LOOP 1 MIXER and the HARMONIC FILTER UNIT are apparently ok.
2. Check that the frequency on the phase/frequency detector IC106, pin 1 is 1 kHz.
3. Check the Loop 1 Programmable Divider.
 - a. If the frequency on the input terminal "Loop 1 In" is approx. 2 MHz and the frequency on the phase/frequency detector IC106, pin 3 is lower than 1 kHz, the programmable divider is apparently ok.
 - b. If the frequency on the input terminal "Loop 1 In" is approx. 5 MHz and the frequency on the phase/frequency detector IC106, pin 3 is higher than 1 kHz, the programmable divider is apparently ok.
4. Check the phase/frequency detector IC106.
 - a. Measure 1.5V DC on the terminal "PD1 (1.5V) out" on DIVIDER-UNIT.
 - b. If the input frequency on IC106, pin 3 is higher than 1 kHz and the DC-voltage on the terminal "PD1 out" on DIVIDER-UNIT is approx. 0.7V, the phase/frequency detector is apparently ok.
 - c. If the input frequency on IC106, pin 3 is lower than 1 kHz and the DC-voltage on the terminal "PD1 out" on DIVIDER-UNIT is approx. 2.3V, the phase/frequency detector is apparently ok.
5. Check the integrator IC202 on LOOP 1 FILTER & +18V SUPPLY-UNIT.
 - a. If the DC voltage on the terminal "PD1 In" is approx. 0.7V and the DC voltage on output terminal of IC202, pin 6 is approx. -4V, the integrator IC202 is apparently ok.
 - b. If the DC voltage on the terminal "PD1" is approx. 2.3V and the DC voltage on the output terminal of IC202, pin 6 is approx. -17V, the integrator IC202 is apparently ok.
6. If the failure has not been found yet the 1 kHz loop filter IC201 and the wirings to the VCO must be checked.

TRUBLE-SHOOTING cont.:

LOOP 2

If the fault has been located to LOOP 2 the following hints can be used for trouble-shooting.

If there is no output signal from the VCXO and LOOP 2 FILTER on the terminal "VCXO out" , the failure has to be found in the VCXO.

If the output frequency from the VCXO and LOOP 2 FILTER on the terminal "VCXO out" is lower than 10.098 MHz or higher than 10.099 MHz, the phase locked loop 2 is out of lock.

1. Check the output signal on VCXO and LOOP 2 FILTER terminal "Loop 2 out".
 - a. If there is no output signal, the failure is in the loop 2 mixer or the 10 MHz injection signal is missing.
 - b. If the output frequency is slightly lower than 98 kHz or slightly higher than 99 kHz, the VCXO, LOOP 2 mixer and the 10 MHz injection signal are apparently ok.
2. Check that the frequency on the phase/frequency detector IC113, pin 1 is 100 Hz.
3. Check the LOOP 2 Programmable Divider.
 - a. If the frequency on the input terminal "Loop 2 In" is approx. 97 kHz and the frequency on the phase/frequency detector IC113, pin 3 is slightly lower than 100 Hz, the programmable divider is apparently ok.
 - b. If the frequency on the input terminal "Loop 2 In" is approx. 100 kHz and the frequency on the phase/frequency detector IC113, pin 3 is slightly higher than 100 Hz, the programmable divider is apparently ok.
4. Check the phase/frequency detector IC113.
 - a. Measure 1.5V DC on the terminal "PD2 (1.5V)" on the DIVIDER-UNIT.
 - b. If the input frequency on IC113, pin 3 is lower than 100 Hz and the DC voltage on the terminal "PD2 Out" on DIVIDER-UNIT is approx. 0.7V, the phase/frequency detector is apparently ok.
 - c. If the input voltage on IC113, pin 3 is higher than 100 Hz and the DC voltage on the terminal "PD2 Out" on DIVIDER-UNIT is approx. 2.3V the phase/frequency is apparently ok.
5. Check the integrator IC601 on VCXO and LOOP 2 FILTER.
 - a. If the DC voltage on the terminal "PD2 In" is approx. 0.7V and the DC voltage on output terminal of IC601, pin 6 is approx. 17V, the integrator IC601 is apparently ok.
 - b. If the DC voltage on the terminal "PD2 In" is approx. 2.3V and the DC voltage on the output terminal of IC601, pin 6 is approx. 1V, the integrator IC601 is apparently ok.
6. If the failure has not yet been found the 100 Hz loop filter must be checked.

4. PERFORMANCE CHECK FOR S1301

Before executing performance check the exciter must be connected to power supplies +22V and -45V via the testbox S1300/01 and the artificial key for S1300TT and S1301. The output connector shall be loaded with 50 ohm, and the exciter shall be activated by a microphone key plug with a capacitor in it for connection to tone generator.

- 4.1.1. Connect voltmeter to TP1.
- 4.1.2. Check the voltage to be within 18V $\pm 0.2V$.
- 4.1.3. Connect voltmeter to TP2.
- 4.1.4. Check the voltage to be within -18V $\pm 0.2V$.
- 4.1.5. Connect voltmeter between TP1 and TP3.
- 4.1.6. Check the voltage to be within 100 mV.
- 4.1.7. Connect voltmeter to TP31.
- 4.1.8. Check the voltage to be within 5V $\pm 0.2V$.
- 4.1.9. Connect frequency counter to TP4.
- 4.1.10. Check the frequency to be within 10 000 000 Hz ± 1 Hz.
- 4.2. MOTOR CONTROL AND FREQUENCY SELECTOR.
 - 4.2.1. Set POWER "ON/OFF" to "1".
 - 4.2.2. Connect frequency counter to TP21. Mode, A3A and full power on both front panel and power level potentiometer.
 - 4.2.3. Set the frequency selector to the first frequency indicated in fig. 1.
 - 4.2.3. Code the corresponding motor code on the testbox S1300/01.
 - 4.2.4. Check that the LEDs on the testbox is lighting as indicated in fig. 1. Note that for incorrect code TUNE lamp is lighting instead of BLOCK P.S.
 - 4.2.5. Check that the output frequency read on the frequency counter is as indicated in fig. 1.
 - 4.2.6. Go to next frequency indicated in fig. 1 and go through 4.2.3., 4.2.4., 4.2.5. and 4.2.6. until all the table is done.
 - 4.2.7. Switch off the frequency selector and go to fixed 2182 kHz.
 - 4.2.8. Code the corresponding motor code s,r,q,p,o = 1,1,1,1,0.
 - 4.2.9. Check that only BLOCK P.S. on the testbox and the "2182 SELECTED" on front panel is lighting.
 - 4.2.10. Set "POWER ON/OFF" to "0", and check that BLOCK P.S. turns off. Set "POWER ON/OFF" back to "1".
 - 4.2.11. Change one bit in the motor code and check that the tune lamp on front panel is lighting.
 - 4.2.12. Select 26100.0 kHz and check that "FREQUENCY OUTSIDE BANDS" lamp on front panel is lighting and tune lamp not.

S1301 A 1/1

FREQUENCY SELECTED	MOTOR CONTROL CODE	BAND CODE			BLOCK P.S.	TUNE	400W/800W
		s r q p o	Z Y X V	A			
1600.0	0 1 0 1 1	0 0 0 1	1	0 1 1	X		
1700.0	0 1 0 1 1	0 0 0 1	1	0 1 1	X		
1800.0	0 1 1 0 0	0 0 0 1	1	1 0 0	X		
1900.0	0 1 1 0 0	0 0 0 1	1	1 0 0	X		
2000.0	0 0 0 0 0	0 0 0 1	0	0 0 0	X		
2100.0	0 0 0 0 0	0 0 0 1	0	0 0 0	X		
2200.0	0 0 0 0 1	0 0 0 1	0	0 0 1	X		
2300.0	0 0 0 0 1	0 0 0 1	0	0 0 1	X		
2400.0	0 0 0 1 0	0 0 0 1	0	0 1 0	X		
2500.0	0 0 0 1 0	0 0 0 1	0	0 1 0	X		
2600.0	0 0 0 1 1	0 0 0 1	0	0 1 1	X		
2700.0	0 0 0 1 1	0 0 0 1	0	0 1 1	X		
2800.0	1 0 0 1 0	0 0 1 0			X		
2900.0	1 0 0 1 0	0 0 1 0			X		
3000.0	1 0 0 1 0	0 0 1 0			X		
3100.0	1 0 0 1 1	0 0 1 1			X		
3200.0	1 0 0 1 1	0 0 1 1			X		
3300.0	1 0 0 1 1	0 0 1 1			X		
3400.0	1 0 1 0 0	0 1 0 0			X		
3500.0	1 0 1 0 0	0 1 0 0			X		
3600.0	1 0 1 0 0	0 1 0 0			X		
3700.0	1 0 1 0 1	0 1 0 1			X		
3800.0	1 0 1 0 1	0 1 0 1			X		
3900.0	1 0 1 0 1	0 1 0 1			X		
4000.0	1 0 1 1 0	0 1 1 0			X		X
4100.0	1 0 1 1 0	0 1 1 0			X		X
4200.0	1 0 1 1 0	0 1 1 0			X		X
6200.0	1 0 1 1 1	0 1 1 1			X		X
6300.0	1 0 1 1 1	0 1 1 1			X		X
8100.0	1 1 0 0 0	1 0 0 0			X		X
8200.0	1 1 0 0 0	1 0 0 0			X		X
8300.0	1 1 0 0 0	1 0 0 0			X		X
8400.0	1 1 0 0 0	1 0 0 0			X		X
12300.0	1 1 0 0 1	1 0 0 1			X		X
12400.0	1 1 0 0 1	1 0 0 1			X		X
12500.0	1 1 0 0 1	1 0 0 1			X		X
16400.0	1 1 0 1 0	1 0 1 0			X		X
16500.0	1 1 0 1 0	1 0 1 0			X		X
16600.0	1 1 0 1 0	1 0 1 0			X		X
16700.0	1 1 0 1 0	1 0 1 0			X		X
16800.0	1 1 0 1 0	1 0 1 0			X		X
22000.0	1 1 0 1 1	1 0 1 1			X		X
22100.0	1 1 0 1 1	1 0 1 1			X		X
22200.0	1 1 0 1 1	1 0 1 1			X		X
22300.0	1 1 0 1 1	1 0 1 1			X		X
25000.0	1 1 1 0 0	1 1 0 0			X		X
25100.0	1 1 1 0 0	1 1 0 0			X		X

FIG. 1.

PERFORMANCE CHECK FOR S1301 cont.:

4.3.
FREQUENCY SELECTION.

4.3.1.
Connect frequency counter to TP21.
Mode A3A.

4.3.2.
Choose the following frequencies on the frequency selector: 1888.8 kHz, 2444.4 kHz, 2222.2 kHz and 2111.1 kHz, and check correct output frequency.

4.4.
HARMONIC FILTER
Load TP26 with 68 ohm.

4.4.1.
Connect frequency counter to TP30.

4.4.2.
Connect voltmeter to TP6.

4.4.3.
Connect voltmeter to TP7.

4.4.4.
Disconnect the grey/black (100 kHz D), yellow/brown (1 MHz A), red/black (100 kHz B) and the yellow/black (100 kHz C) wire on the frequency selector board. Connect the yellow/black and the red/black wire to chassis. Connect the brown/yellow and the grey/black together and leave them open in all A positions and short-circuit them to chassis in all B positions.

4.4.5.
Go through the frequencies indicated in fig. 5 and check the above mentioned test points.

Ad. 4.4.1.
In the A positions read 4698 kHz.
In the B positions read 2699 kHz.

Ad. 4.4.2.
In all positions check the voltage to be below 3.5V.

Ad. 4.4.3.
In the A positions read 15V +1V.
In the B positions read 7.5V -2.5V.

4.4.6.
Disconnect the 68 ohm load from TP26. Reconnect the four wires disconnected in 4.4.4.

VCO under test	Pos.	Frequency selected
VC01	A	1999.0
	B	1800.0
VC02	A	2999.0
	B	2800.0
VC03	A	4199.0
	B	4000.0
VC04	A	6399.0
	B	6200.0
VC05	A	8199.0
	B	8200.0
VC07	A	12399.0
	B	12400.0
VC09	A	16599.0
	B	16600.0
VC012	A	22199.0
	B	22200.0
VC013	A	25199.0
	B	25000.0

FIG. 5.

4.5.
STEP RESPONSE.

4.5.1.
Connect oscilloscope to TP7.

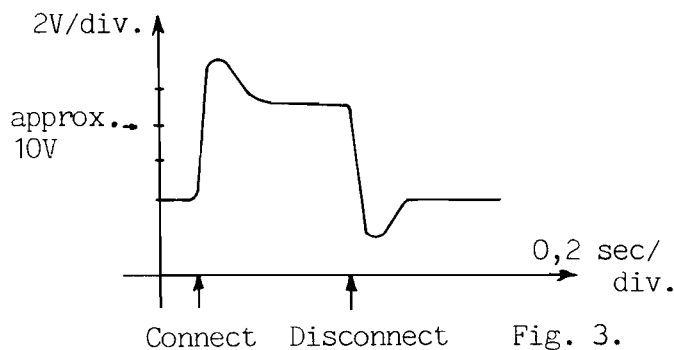
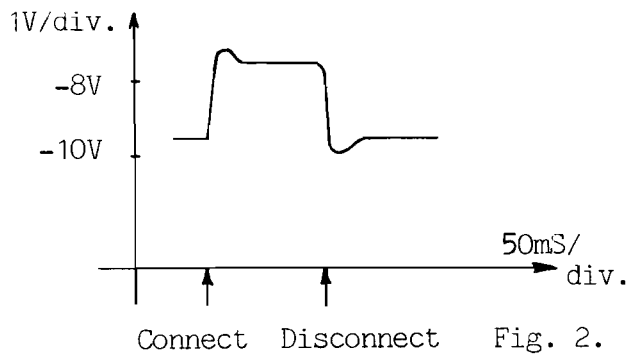
4.5.2.
Set the frequency selector to 2499.9 kHz.

4.5.3.
Short-circuit the black/yellow control wire on divider board to ground. Step response is seen on oscilloscope, compare to fig. 2. next page.

4.5.4.
Connect oscilloscope to TP8.

4.5.5.
Short-circuit the grey control wire on divider board to ground. Step response is seen on oscilloscope, compare to fig. 3.

PERFORMANCE CHECK FOR S1301 cont.:



4.6.
LEVEL CHECK.

4.6.1.
Set the frequency selector to 2000.5 kHz.

4.6.2.
Connect oscilloscope to TP29 via 1:10 probe.

4.6.3.
Check the voltage to be above 1.7V pp.

4.6.4.
Connect oscilloscope to TP27 via 1:10 probe.

4.6.5.
Check the voltage to be above 1.6V pp.

4.6.6.
Connect oscilloscope to TP28 via 1:10 probe.

4.6.7.
Check the voltage to be above 2.5V pp.

4.6.8.
Connect voltmeter to TP8.

4.6.9.
Check the voltage to be within 6V to 11V.

4.6.10.
Switch the frequency selector to 2000.0 kHz, and check the voltage to be below 14.5V.

4.6.11.
Switch the frequency selector to 2000.9 kHz, and check the voltage to be above 4V.

4.7.
MICROPHONE AMPLIFIER.

4.7.1.
Connect oscilloscope to TP12.

4.7.2.
Set exciter to A3J and connect tone generator, 1000 Hz, to microphone plug.

4.7.3.
Turn tone generator output control fully counter clockwise and then clockwise until the level on TP12 is just constant. This limitation shall happen at approx. 300 mV pp. measured on TP25.

4.7.4.
Add 10 dB to tone generator output (1V pp.), and check that the measured signal is approx. symmetrical clipped.

4.7.5.
Connect oscilloscope to TP24.

4.7.6.
By connection and disconnection of the tone generator signal the measured voltage shall be as shown on fig. 4.

4.8.
A2H OSCILLATOR AND DELAY UNIT.

4.8.1.
Connect frequency counter to TP32, and check the frequency to be within 455 Hz to 475 Hz in A2H position.

4.8.2.
Connect oscilloscope to TP21, and tone-generator to the artificial key. Tone-generator output: 1500Hz and 1Vpp.

PERFORMANCE CHECK FOR S1301 cont.:

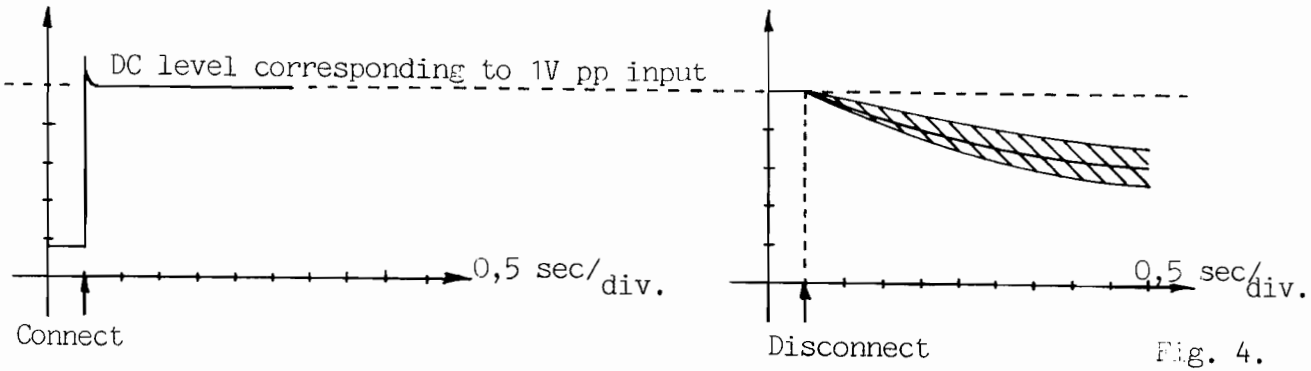
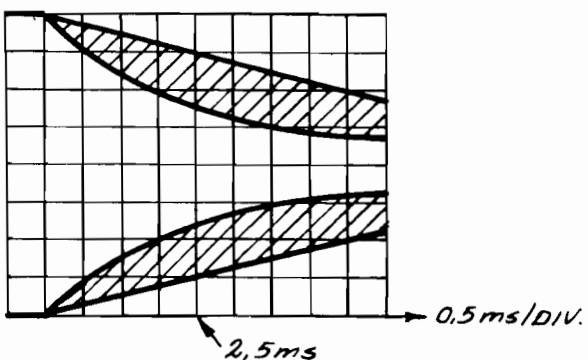
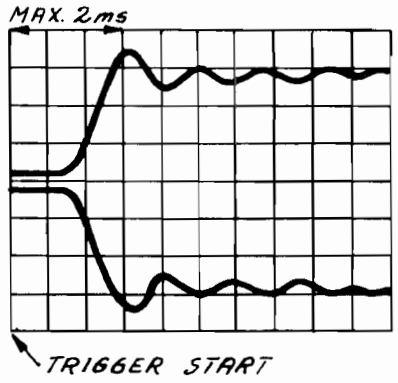


Fig. 4.

4.8.3. Select 2000.5 kHz and telex, trig the oscilloscope from the artificial key, and check the output envelope on the oscilloscope with the figure below. Disconnect the tonegenerator.

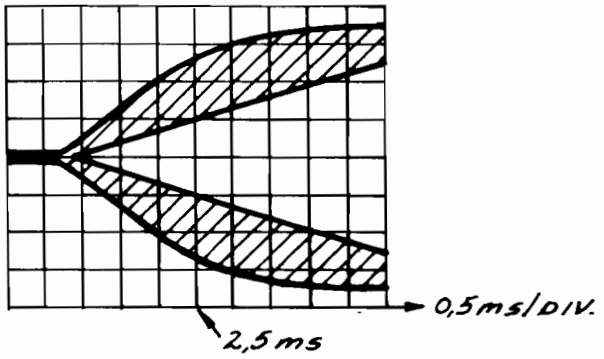
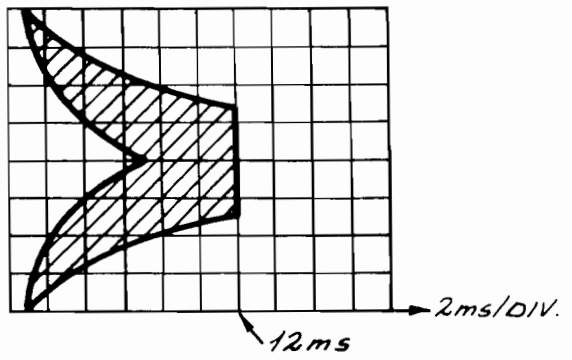
4.8.6. Trig the oscilloscope on the opposite edge and check the output envelope with the figure below.



4.8.4. Select 2000.5 kHz, A1 and oscilloscope sensitivity to 0.1V/div., adjust power level potentiometer until the steady state level is 8 cm pp. on the screen.

4.8.7. Change sweep rate to 2 mS/div. and check the +22V from delay as indicated on the figure below.

4.8.5. Trig the oscilloscope from the artificial key and check the output envelope on the oscilloscope with the figure below.



4.8.8. Connect the oscilloscope to TP35 on the A2H oscillator board and check that the voltage is +22V for a time period between 10 mS and 30 mS.

S 1301 A 5/7

PERFORMANCE CHECK FOR S1301 cont.:

4.9.

OUTPUT LEVEL.

4.9.1.

Connect oscilloscope to TP21 via 1:10 probe.

4.9.2.

Select 2000.5 kHz, tune, full power and power level potentiometer fully clockwise.

Measure the voltage to be within 18V pp. and 21V pp.

4.10.

POWER REDUCTION

4.10.1.

Connect diode probe to TP21.

4.10.2.

Select 2000.5 kHz, tune and full power. Check that the power level potentiometer can change output level between 10 dB and 13 dB.

4.10.3.

With power level potentiometer fully clockwise, check the first power reduction step to be between 4 dB and 6 dB below full power, the second step 8 dB to 12 dB, the third step 12 dB to 18 dB and the fourth step 17 dB to 23 dB below full power.

4.11.

A3H, A3A, A2H, A1 and TELEX.

4.11.1.

Connect oscilloscope to TP21 via 1:10 probe.

4.11.2.

Select 2000.5 kHz, tune and full power, adjust power level potentiometer until there is full deflection (8 cm) on oscilloscope screen.

4.11.3.

Change to A3H, without modulation. Check A3H carrier, now seen to be within 4 cm and 5 cm.

4.11.4.

Connect tonegenerator, 1000 Hz and 1V pp. to microphone plug.

4.11.5.

Check the output in A3H, A3A, A2H and A3J to be within 7 cm pp. and 8 cm pp. on oscilloscope.

4.11.6.

Check the output in A1 to be within 5 cm pp. and 6.4 cm pp. on the oscilloscope.

4.11.7.

Select 2000.5 kHz and A3J. Connect tonegenerator, 1500 Hz and 1V pp. to the microphone plug and adjust the output level to full deflection (8 cm) on the oscilloscope screen. Connect tonegenerator to the artificial key.

4.11.8.

Select 2000.5 kHz and telex. Connect the grey/white wire W2/9-10 to the yellow wire W1/9-10 on the mode switch board. Connect TP33 to ground and check the steady state output to be within 7 cm pp. and 8 cm pp. on the oscilloscope.

4.11.9.

Connect TP33 to TP34 on the mode switch unit and check the steady state output to be within 4.5 cm pp. and 6 cm pp. Disconnect the established connections.

4.12.

BANDPASS FILTER UNIT.

Lowpass filter and bandpass filters are checked as described in adjustment procedure 5.9.1. - 5.9.4.

4.13.

ALARM GENERATOR

The alarm generator is checked as described in adjustment procedure 5.6.1. - 5.6.4.

PERFORMANCE CHECK FOR S1301 cont.:

4.14.

FREQUENCY RESPONSE

Frequency responses from microphone plug to output socket is measured as described in adjustment procedure 5.7.3.

4.15.

DISTRESS

Connect a handset to the exciter. Switch to fixed 2182 kHz and do a talk test. Check the output on TP21 with oscilloscope. Press alarm and test alarm at the same time.

The distress signal can now be seen on the oscilloscope. The time from start of alarm signal until it automatically disappears is checked by a watch to be within 35 secs. and 55 secs.

5. ADJUSTMENT PROCEDURE FOR S1301

Before adjustment of the exciter, it must be connected to +22V and -45V power supplies via the testbox S1300/01 and the artificial key, furthermore the output connector shall be loaded with 50 ohm and the exciter shall be activated by a microphone key plug with a capacitor in it for connection to a tone generator.

The following adjustment steps are all starting with information about frequency selected and operation mode, e.g. 2000.5, tune.

The trimming cores are factory sealed. In order to break the seal, use normal cellulose thinner.

5.1. DC ADJUSTMENTS.

- 5.1.1.
Connect voltmeter to TP1.
- 5.1.2.
Adjust R902 to +18V.
- 5.1.3.
Connect voltmeter to TP2.
- 5.1.4.
Adjust R209 to -18V.
- 5.1.5.
Connect voltmeter between TP1 and TP3.
- 5.1.6.
Adjust R214 to less than 100 mV.
- 5.1.7.
Disconnect brown wire to TP22, and insert amperemeter.
- 5.1.8.
Adjust R1536 to 285 mA.
- 5.1.9.
Reconnect brown wire to TP22.

5.2. MICROPHONE AMPLIFIER.

- 5.2.1.
2000.5, A3J. Connect tone generator, 1000 Hz and 300 mV pp. measured on TP25.
- 5.2.2.
Connect oscilloscope to TP12.

- 5.2.3.
Turn R1201 fully counter clockwise, and then clockwise until the measured level is just constant.

- 5.2.4.
Add 10 dB to tone generator output 1V pp.

- 5.2.5.
Adjust R1224 for symmetrical clipping.

- 5.2.6.
Connect oscilloscope to TP13.

- 5.2.7.
Change to tune position.

- 5.2.8.
Adjust R1232 to 80 mV pp.

5.3. TCXO.

- 5.3.1.
Connect frequency counter to TP4.

- 5.3.2.
Adjust R112 to 10 000 000 Hz.

5.4. SIGNAL PATH.

- 5.4.1.
2000.5, A3J, with no input from tone generator. Connect oscilloscope to TP9 via 1:10 probe.

- 5.4.2.
Adjust L101, L1101 and L1103 for max.

ADJUSTMENT PROCEDURE FOR S1301 cont.:

5.4.3.
Adjust R1125 and C1123 for min. This adjustment shall be repeated until the measured signal is almost a 1.2 MHz sine.

5.4.4.
Turn power level potentiometer fully clockwise.

5.4.5.
Connect oscilloscope to TP23 via 1:10 probe.

5.4.6.
Adjust R1625 to min.

5.4.7.
2000.5, tune, full power. Connect oscilloscope to TP21 via 1:10 probe. If the signal is clipped, reduce output until it is undistorted.

5.4.8.
Adjust L1108, L1601, L1603 and L1604 for max.

5.4.9.
Connect oscilloscope to TP17 via 1:10 probe and set output to max.

5.4.10.
Adjust R1151 to 350 mV pp.

5.4.11.
Connect oscilloscope to TP20 via 1:10 probe.

5.4.12.
Adjust R1631 to 2.8V pp.

5.4.13.
Connect oscilloscope to TP21 via 1:10 probe.

5.4.14.
Adjust R1534 to 21V pp.

5.5.
A3H AND A2H LEVEL.

5.5.1.
Connect frequency counter to TP32.

5.5.2.
2000.5, A2H. Adjust L1801 to 465 Hz ± 5 Hz.

5.5.3.
2000.5, tune and full power. Connect oscilloscope to TP21 via 1:10 probe.

5.5.4.
Adjust power level potentiometer to full screen (8 cm).

5.5.5.
Change to A3H without modulation. Adjust the A3H carrier now seen to 4.4 cm with R1109.

5.5.6.
Change to A2H, and adjust R1806 until the A2H signal now seen is 8 cm pp.

5.5.7.
Connect oscilloscope to TP35, and trig the oscilloscope from the artificial key and load TP35 with 1 kOhm.

5.5.8.
2000.5, A1. Adjust the voltage now seen to be +22V for a time period of 18 mS ± 1 mS on the potentiometer R1819.

5.6.
ALARM GENERATOR.

5.6.1.
2000.5, test alarm. Short-circuit C1301. One of the two alarm tones can now be measured on TP11. By removing and establishing the short-circuit, the alarm generator can be changed to the other tone. If necessary the tones may be adjusted on L1301: 22 00 Hz ± 15 Hz and L1302 1300 Hz ± 10 Hz.

5.6.2.
Disconnect the established short-circuit.

5.6.3.
Connect frequency counter, in time period position, to TP10.

5.6.4.
Adjust R1301 to 250 mS ± 10 mS. Under adjustment the alarm generator will stop after about 45 secs. For restart, release test alarm push button and activate it again.

ADJUSTMENT PROCEDURE FOR S1301 cont.:

The following filter adjustments shall only be carried out when some repair is done around a filter.

5.7.
600 kHz SSB FILTER.

5.7.1.
2000.5, tune. Connect oscilloscope to TP21 via 1:10 probe.

5.7.2.
Adjust L1106 and L1107 for max.

5.7.3.
Control of filter response is carried out in mode A3J, with tone generator connected to microphone plug, output 1V pp. measured on TP25.

Frequency response is measured with diode probe on TP21. Max. permissible ripple is 2 dB in the frequency range 500 Hz - 2500 Hz, -6dB frequencies is approx. 350 Hz and 2700 Hz.

5.7.4.
Go through 5.4.9. - 5.4.14.

5.8.
10.7 MHz FILTER.

5.8.1.
598.0, A3H without modulation. Disconnect innercore of coaxial cable W1/6-16 and short-circuit the green wire (X band select) on the FREQUENCY SELECTOR UNIT to chassis.

5.8.2.
Connect point 1 to point 5 on mixer-board with an external wire.

5.8.3.
Connect oscilloscope to TP19 via 1:10 probe.

5.8.4.
Adjust L1601 and L1602 to max.

5.8.5.
Adjust slightly L1601 and/or L1602 until the amplitude is the same within +0.25 dB, with the frequencies 595.0 kHz, 598.0 kHz and 601.0 kHz selected.

5.8.6.
Remove wire between 1 and 5, reconnect W1/6-16, and the green wire on the FREQUENCY SELECTOR UNIT.

5.8.7.
Go through 5.4.9. - 5.4.14.

5.9.
BAND FILTER UNIT AND LOWPASS FILTER.

5.9.1.
2000.0, tune. Connect diode probe to TP21.

5.9.2.
Adjust power level potentiometer until 7.75V, corresponding to +20 dB on the decibel scale, is attained. Repeat adjustment of L1513 and L1514 until output difference is below 0.5 dB with the frequencies 1600.0 kHz, 2000.0 kHz, 3000 kHz and 4299.0 kHz selected.

5.9.3.
2000.0, tune. Connect diode probe to TP21.

5.9.4.
Adjust power level potentiometer to +20 dB (7.75V).

The frequencies for bandpass filter adjustments is chosen so that center frequency is in position B, and band limits in position A and C. See the table below.

Every single bandpass filter shall be adjusted to max. output. The output must be within +0.25 dB in A and C relative to B. And the deflection on the center frequency, position B, shall be between 19.0 dB and 20.5 dB.

A	B	C
6200.0	6263.0	6325.0
8195.0	8315.0	8435.0
12330.0	12491.0	12652.0
16460.0	16660.0	16859.0
22000.0	22156.0	22311.0
25070.0	25090.0	25110.0

5.9.5.
Go through 5.4.9. - 5.4.14.

6. NECESSARY ADJUSTMENTS AFTER REPAIR FOR S1301

In the following paragraphs is referred to the necessary adjustment- and performance check paragraphs in chapter 4 and 5.

- 6.1.
DIVIDER UNIT
Execute 4.1.8., 5.3. and adjust L101 as described in 5.4.1. and 5.4.2.
Check 4.3.1., 4.3.2., 4.5. and 4.9.
- 6.2.
LOOP 1 FILTER & ±18V POWER SUPPLY
Execute 5.1.1. - 5.1.6. (both incl.)
Check 4.4., 4.5.1., 4.5.2. and 4.5.3.
- 6.3.
VCO UNIT, HARMONIC FILTER OR LOOP 1 MIXER
Check 4.3., 4.4., 4.5.1., 4.5.2. and 4.5.3.
- 6.4.
VCXO AND LOOP 2 FILTER
Execute 5.4.7. - 5.4.14. (both incl.)
without adjusting L1108, L1603 and L1604.
Check 4.6.6. - 4.6.11. (both incl.).
Check 4.5.4. and 4.5.5.
- 6.5.
MOTOR CONTROL UNIT
Check 4.2.
- 6.6. FILTER UNIT
Execute 5.1.1., 5.1.2., 5.1.5. and 5.1.6.
- 6.7.
MODE SWITCH UNIT
Carry out a FINCTION CHECK 7.
- 6.8.
SSB GENERATOR
Execute 5.4., 5.5., 5.10.3. and 5.10.4.,
without adjusting L101, L601, L1603 and
L1604.
- 6.9.
MICROPHONE AMPLIFIER
Execute 5.2. and 5.4.9. - 5.4.14. (both
incl.).
Check 4.7.
- 6.10.
ALARM SIGNAL GENERATOR
Execute 5.6.
Check 4.15.
- 6.11.
DRIVER UNIT OR BANDPASS FILTER
Execute 5.1.8., 5.1.9. and 5.9., no
coil adjustment will generally be ne-
cessary.
- 6.12.
MIXER UNIT
Execute 5.4.4. - 5.4.14. (both Incl.)
without adjusting L1108 and L1601.
- 6.13.
A2H OSCILLATOR & DELAY UNIT
Execute 5.5. without adjusting R1109
- 6.14.
FREQUENCY SELECTOR UNIT
Execute 4.2.2., 4.2.3., and 4.2.5. for
every frequency in fig. 1.
Execute 4.2.12 and 4.3.

7. FUNCTION CHECK FOR S1301

7.1.1.

Connect artificial key, S1300/01 testbox, power supplies, 50 ohm load and tonegenerator via key plug to the exciter.

7.1.2.

Connect frequency counter to output connector via 1:10 probe.

7.1.3.

Set exciter to A3A, full power, power level potentiometer fully clockwise and no modulation.

7.1.4.

Select the following frequencies: 1888.8 kHz, 2444.4 kHz, 4111.1 kHz, 6222.2 kHz, 8300.0 kHz, 12400.0 kHz, 16600.0 kHz, 22100.0 kHz and 25100.0 kHz, and check the output frequency to be within 0.5 ppm.

7.2.1.

Change to tune position.

7.2.2.

Connect diode probe to output connector.

7.2.3.

Go through the above mentioned frequencies and check the voltage to be within 16V to 20V.

7.2.4.

Check that the power level potentiometer control range is approx. 12 dB.

7.2.5.

With power level potentiometer fully clockwise, check the first power reduction step to be between 4 dB and 6 dB below full power, the second step 8 dB to 12 dB, the third step 12 dB to 18 dB and the fourth step 17 dB to 23 dB below full power.

7.3.1.

Change to A3J. Select 2000.0 kHz.

7.3.2.

Supply 1500 Hz and 1V RMS to microphone plug.

7.3.3.

Adjust power level potentiometer until meter deflection is 7.75V corresponding to +20 dB.

FUNCTION CHECK FOR S1301 cont.:

7.3.4.

Change tone generator frequency between 500 Hz and 2500 Hz, and check that the output amplitude ripple is below 2 dB. Check that -6 dB frequencies are approx. 300 Hz and 2700 Hz.

7.3.5.

Turn tone generator to 1000 Hz.

7.3.6.

Disconnect diode probe and connect oscilloscope to output connector.

7.3.7.

Change to tune position.

7.3.8.

Adjust power level potentiometer to full deflection on oscilloscope - screen (8 cm pp.).

7.3.9.

Check that the amplitude is within 7 cm pp. and 8 cm pp. in the positions A3J, A3H and A3A.

7.3.10.

Check that the steady state amplitude is within 7 cm pp. and 8 cm pp. in A2H position.

7.3.11.

Check that the steady state amplitude is within 5 cm pp. and 6.4 cm pp. in A1 position.

7.3.12.

Supply 1500 Hz and 1V RMS to the artificial key.

7.3.13.

Check that the steady state amplitude is within 6 cm pp. and 8 cm pp. in telex position.

7.4.1.

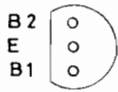
Change to fixed 2182 kHz.

7.4.2.

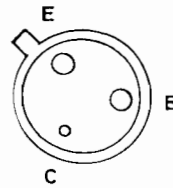
Press alarm and test alarm at the same time. The distress signal can now be seen on the oscilloscope. The time from start of alarm signal until it automatically disappears shall be between 35 secs. and 55 secs.

Check that power switch is disabled under alarm transmission.

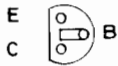
BOTTOM VIEW



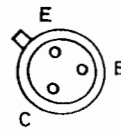
2N4871



BFW17A



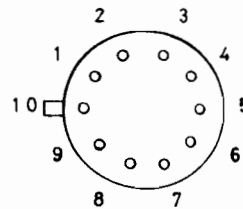
BC 328-25
BC 338
BC 547
BC 548 A,B,C
BC 556 A
BC 558 A,B,C



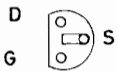
2N2368



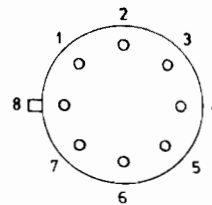
BF 199
BF 494



CA3019



BF256 A,B,C



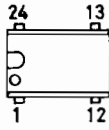
LM3053



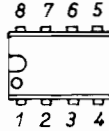
E310

TOP VIEW

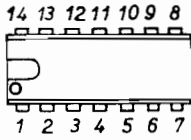
FRONT VIEW



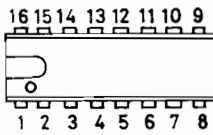
MC 14515 BCB



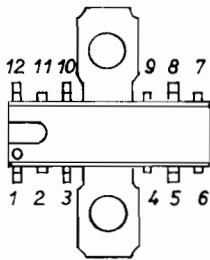
LM 308N
MC 1455 P1
MC 1458



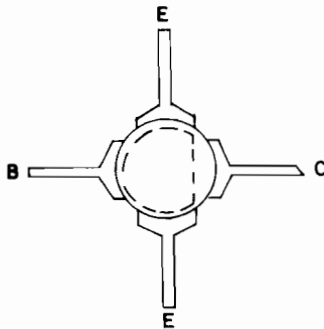
LM 324
LM 3086
MC 4044
MC 14077 B CP
MC 14081 B CP
SN 7407N
SN 7410N
SN 7472N
SN 74LS20N
SN 74LS27N
SN 74LS290N



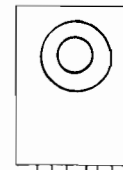
MC 14519 B CP
MC14530B CP
SN 74LS109N
SN 74LS192N
SN 74LS390N



TCA 940

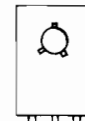


2N5641



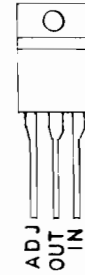
BD 577

B C E



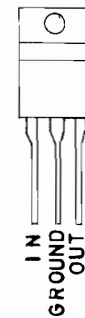
BD138
BD139

E C B



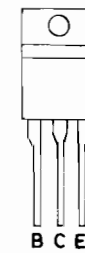
LM317 T

ADJ
OUT
IN



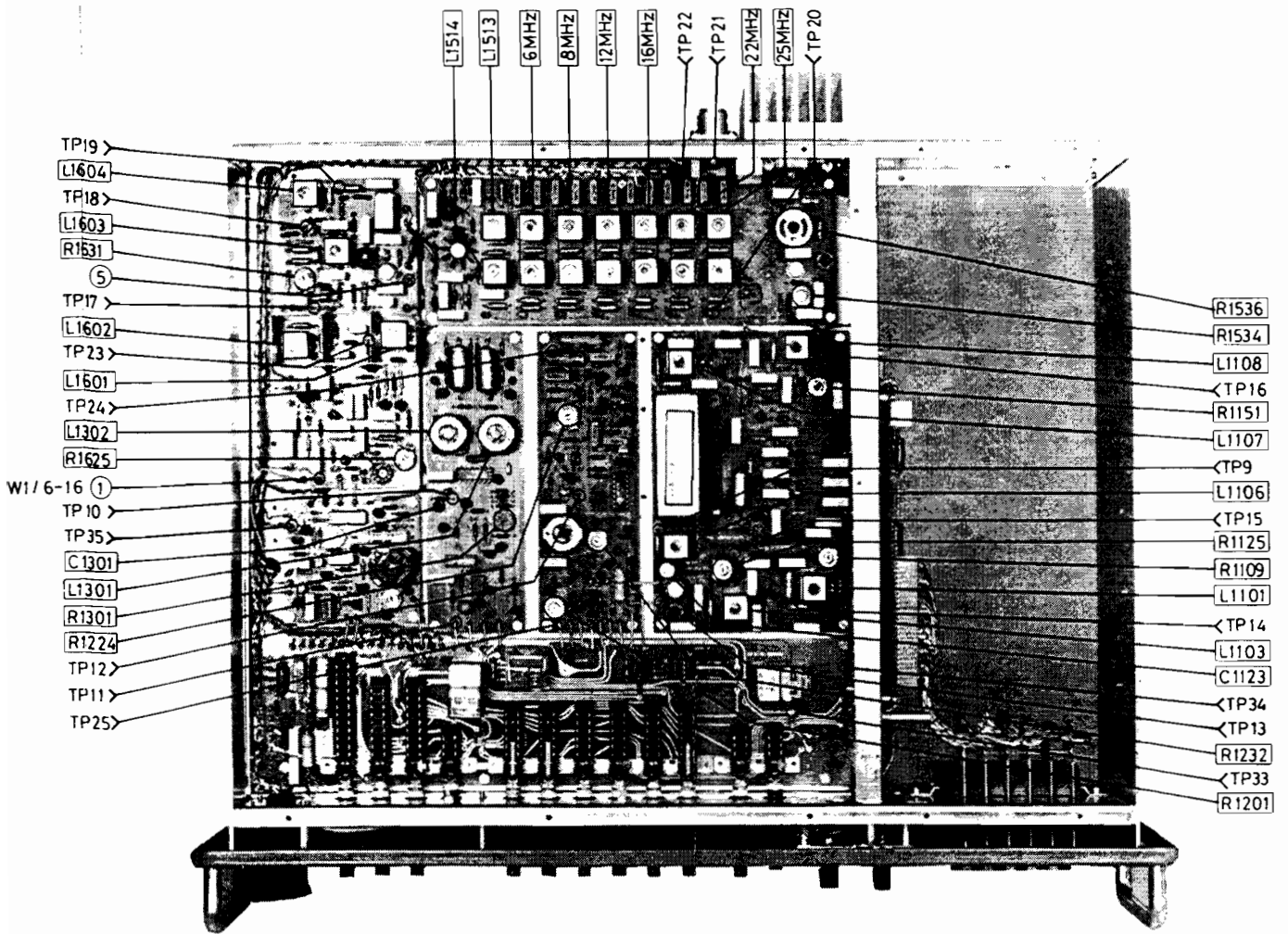
MC 7805 CT
MC 7818 CT

IN
GROUND
OUT



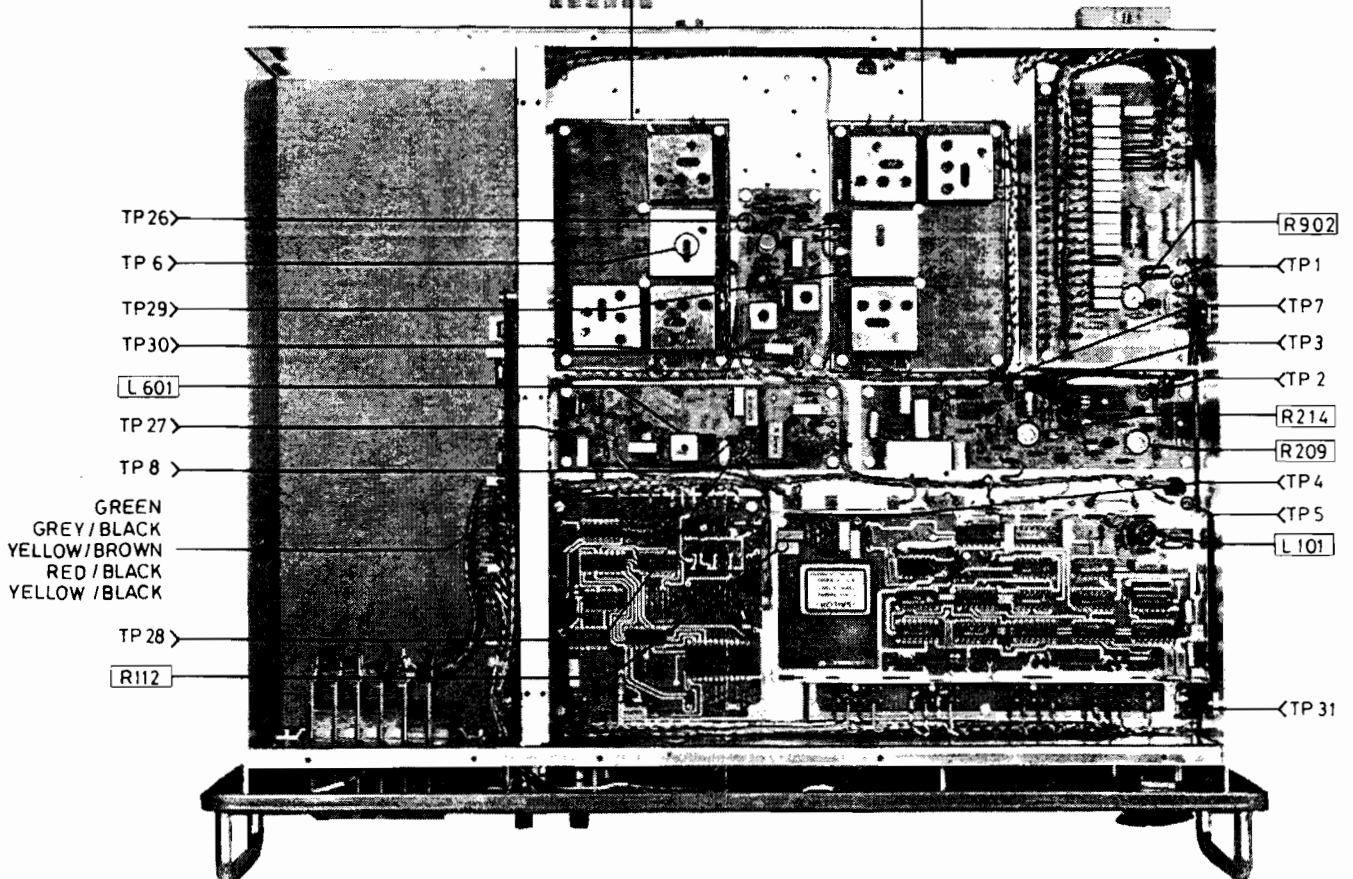
BD 241

B C E



FACTORY ADJUSTED

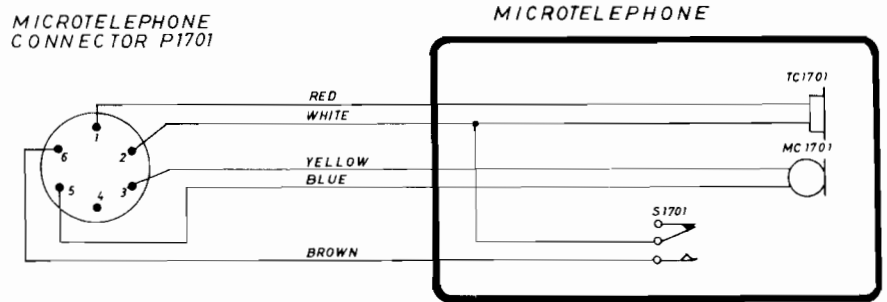
FACTORY ADJUSTED



MICROTELEPHONE INSTALLATION S1300

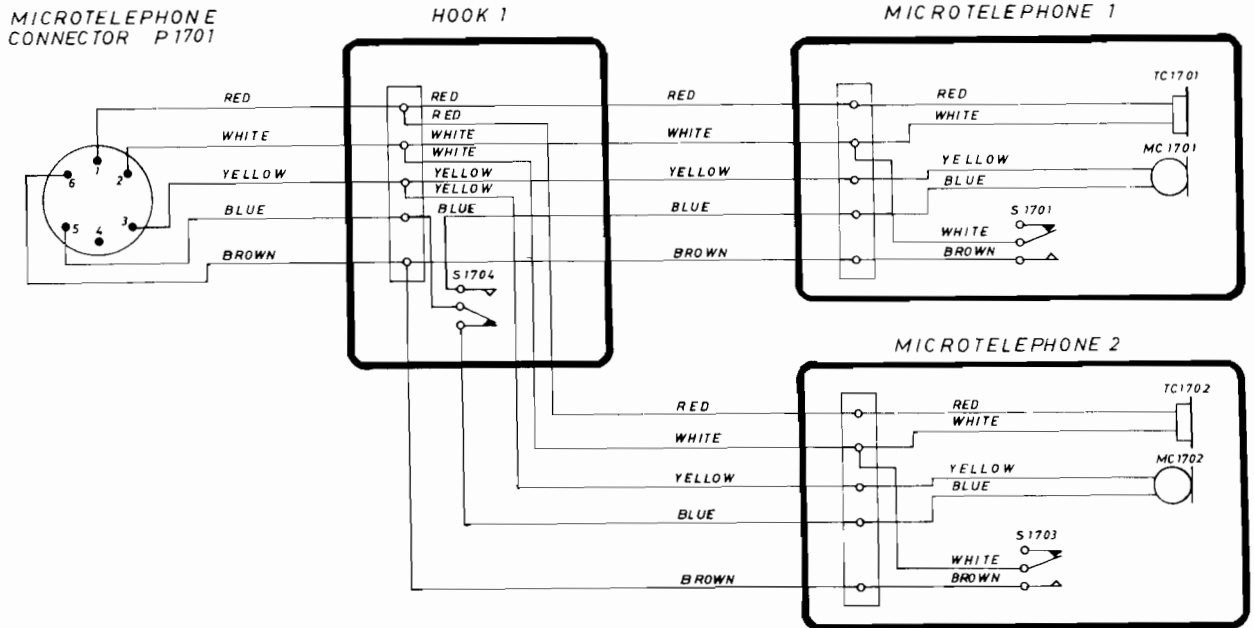
It is possible on request to get a special two microphone installation as described on the scematic diagram below.

NORMAL INSTALLATION WITH ONE MICROTELEPHONE



SPECIAL INSTALLATION WITH TWO MICROTELEPHONES

Microtelephone one with preference.



a		DIVIDER UNIT S1300/R1117				1/3		
Symbol	Description				Manufact.			
R101	Resistor	15Kohm	$\pm 5\%$	0,33W	Philips	2322	211	13153
R102	Resistor	15Kohm	$\pm 5\%$	0,33W	Philips	2322	211	13153
R103	Resistor	560 ohm	$\pm 5\%$	0,33W	Philips	2322	211	13561
R104	Resistor	15Kohm	$\pm 5\%$	0,33W	Philips	2322	211	13153
R105	Resistor	560 ohm	$\pm 5\%$	0,33W	Philips	2322	211	13561
R106	Resistor	5,6Kohm	$\pm 5\%$	0,33W	Philips	2322	211	13562
R107	Resistor	1,8Kohm	$\pm 5\%$	0,33W	Philips	2322	211	13182
R108	Resistor	10Kohm	$\pm 5\%$	0,33W	Philips	2322	211	13103
R109	Resistor	1,8Kohm	$\pm 5\%$	0,33W	Philips	2322	211	13182
R110	Resistor	820 ohm	$\pm 5\%$	0,33W	Philips	2322	211	13821
R111	Resistor	220 ohm	$\pm 5\%$	0,33W	Philips	2322	211	13221
R112	Preset potentiometer	2Kohm	$\pm 10\%$	0,5 W	Bourns	3299	W-1-202	
R113	Resistor	820 ohm	$\pm 5\%$	0,33W	Philips	2322	211	13321
R114	Resistor	470 ohm	$\pm 5\%$	0,33W	Philips	2322	211	13471
R115	Resistor	10Kohm	$\pm 5\%$	0,33W	Philips	2322	211	13103
R116	Resistor	1,2Kohm	$\pm 5\%$	0,33W	Philips	2322	211	13122
R117	Resistor	2,2Kohm	$\pm 5\%$	0,33W	Philips	2322	211	13222
R118	Resistor	560 ohm	$\pm 5\%$	0,33W	Philips	2322	211	13561
R119	Resistor	22Kohm	$\pm 5\%$	0,33W	Philips	2322	211	13223
R120	Resistor	270 ohm	$\pm 5\%$	0,33W	Philips	2322	106	33271
R121	Resistor	1,8Kohm	$\pm 5\%$	0,33W	Philips	2322	211	13182
R122	Resistor	10Kohm	$\pm 5\%$	0,33W	Philips	2322	211	13103
R123	Resistor	220 ohm	$\pm 5\%$	0,33W	Philips	2322	106	33221
R124	Resistor	2,2Kohm	$\pm 5\%$	0,33W	Philips	2322	211	13222
R125	Resistor	1Kohm	$\pm 5\%$	0,33W	Philips	2322	211	13102
R126	Resistor	220 ohm	$\pm 5\%$	0,33W	Philips	2322	211	13221
R127	Resistor	680 ohm	$\pm 5\%$	0,33W	Philips	2322	211	13681
R128	Resistor	12Kohm	$\pm 5\%$	0,33W	Philips	2322	211	13123
R129	Resistor	6,8Kohm	$\pm 5\%$	0,33W	Philips	2322	211	13682
R130	Resistor	1Kohm	$\pm 5\%$	0,33W	Philips	2322	211	13102
R131	Resistor	220 ohm	$\pm 5\%$	0,33W	Philips	2322	211	13821
RA101	Resistor array	8x10Kohm	$\pm 5\%$	0,125W	ITT	VR8,	10Kohm	$\pm 5\%$
RA102	Resistor array	8x10Kohm	$\pm 5\%$	0,125W	ITT	VR8,	10Kohm	$\pm 5\%$

b

DIVIDER UNIT S1300/R1117

2/3

Symbol	Description		Manufact.	
C101	Capacitor, polyester 10nF \pm 20%	400V	Philips	2222 344 54103
C102	Capacitor, tantalum 10uF-20/+50%	16V	ERO	ETP 2E
C103	Capacitor, ceramic 10nF-20/+80%	32V	Ferroperm	9/0145.9
C104	Capacitor, ceramic 10nF-20/+80%	32V	Ferroperm	9/0145.9
C105	Capacitor, ceramic 10nF-20/+80%	32v	Ferroperm	9/0145.9
C106	Capacitor, ceramic 10nF-20/+80%	32V.	Ferroperm	9/0145.9
C107	Capacitor, ceramic 12pF NPO \pm 5%	400V	Ferroperm	9/0112.9
C108	Capacitor, ceramic 10nF-20/+80%	32V	Ferroperm	9/0145.9
C109	Capacitor, ceramic 10nF-20/+80%	32v	Ferroperm	9/0145.9
C110	Capacitor, ceramic 10nF-20/+80%	32V	Ferroperm	9/0145.9
C111	Capacitor, ceramic 10nF-20/+80%	32V	Ferroperm	9/0145.9
C112	Capacitor, ceramic 10nF-20/+80%	32V	Ferroperm	9/0145.9
C113	Capacitor, ceramic 10nF-20/+80%	32V	Ferroperm	9/0145.9
C114	Capacitor, ceramic 10nF-20/+80%	32V	Ferroperm	9/0145.9
C115	Capacitor, ceramic 10nF-20/+80%	32V	Ferroperm	9/0145.9
C116	Capacitor, ceramic 10nF-20/+80%	32V	Ferroperm	9/0145.9
C117	Capacitor, ceramic 10nF-20/+80%	32V	Ferroperm	9/0145.9
C118	Capacitor, ceramic 10nF-20/+80%	32V	Ferroperm	9/0145.9
C119	Capacitor, ceramic 10nF-20/+80%	32V	Ferroperm	9/0145.9
C120	Capacitor, ceramic 10nF-20/+80%	32V	Ferroperm	9/0145.9
C121	Capacitor, ceramic 10nF-20/+80%	32V	Ferroperm	9/0145.9
C122	Capacitor, ceramic 10nF-20/+80%	32V	Ferroperm	9/0145.9
C123	Capacitor, polyester 220nF \pm 20%	100V	Philips	2222 344 24224
C124	Capacitor, polyester 15nF \pm 20%	400V	Philips	2222 344 54153
C125	Capacitor, polyester 47nF \pm 20%	250V	Philips	2222 344 40473
C126	Capacitor, polyester 220nF \pm 20%	100V	Philips	2222 344 24224
C127	Capacitor, polyester 220nF \pm 20%	100V	Philips	2222 344 24224
C128	Capacitor, electrolytic 10uF-10/+100%	40V	Siemens	B41313-A7106-V
C129	Capacitor, electrolytic 10uF-10/+100%	40V	Siemens	B41313-A7106-V
C130	Capacitor, polyester 220nF \pm 20%	100V	Philips	2222 344 24224
C131	Capacitor, polyester 47nF \pm 20%	250V	Philips	2222 344 40473
C132	Capacitor, polyester 220nF \pm 20%	100V	Philips	2222 344 24224
C133	Capacitor, polyester 220nF \pm 20%	100V	Philips	2222 344 24224
C134	Capacitor, polyester 220nF \pm 20%	100V	Philips	2222 344 24224
C135	Capacitor, polyester 220nF \pm 20%	100V	Philips	2222 344 24224
C136	Capacitor, polystyrene 1,2nF \pm 5%	63V	Philips	2222 424 21202
C137	Capacitor, polystyrene 6,8nF \pm 5%	63V	Philips	2222 424 26802
L101	Coil		S.P.	TL 235

a		DIVIDER UNIT S1300/R1117		3/3
Symbol	Description	Manufact.		
D101	Diode, zener 12V $\pm 5\%$	0,4W	Philips	BZX 79 C12
D102	Diode, silicon		Philips	BAW 62
T101	Transistor		Philips	2N2368
T102	Transistor		Philips	2N2368
T103	Transistor		Philips	BF199
T104	Transistor		Philips	2N2368
T105	Transistor		Philips	BF199
IC101	Integrated circuit		Texas	SN74LS192N
IC102	Integrated circuit		Texas	SN74LS192N
IC103	Integrated circuit		Texas	SN74LS192N
IC104	Integrated circuit		Texas	SN74LS192N
IC105	Integrated circuit		Texas	SN74LS192N
IC106	Integrated circuit		Motorola	MC4044P
IC107	Integrated circuit		Texas	SN74LS390N
IC108	Integrated circuit		Texas	SN74LS20N
IC109	Integrated circuit		Texas	SN74LS27N
IC110	Integrated circuit		Texas	SN74LS109N
IC111	Integrated circuit		Texas	SN74LS390N
IC112	Integrated circuit		Texas	SN74LS390N
IC113	Integrated circuit		Motorola	MC4044P
IC114	Integrated circuit		Texas	SN7410N
IC115	Integrated circuit		Texas	SN74LS290N
X0101	TCXO 10,0 MHz		S.P.	C1001
S101	Switch for 2182 (R1117 only)		Petrick	7-3-21412

Symbol	Description	Manufact.	
R201	Resistor 1Kohm $\pm 5\%$	Philips	2322 211 13102
R202	Resistor 82 ohm $\pm 5\%$	Philips	2322 211 13829
R204	Resistor 820 ohm $\pm 5\%$	Philips	2322 211 13821
R205	Resistor 2,2Kohm $\pm 5\%$	Philips	2322 211 13222
R206	Resistor 12Kohm $\pm 5\%$	Philips	2322 211 13123
R207	Resistor 1,2Kohm $\pm 5\%$	Philips	2322 211 13122
R208	Resistor 3,3Kohm $\pm 5\%$	Philips	2322 211 13332
R209	Preset potmeter cermet 2,2Kohm $\pm 20\%$	Philips	2322 482 20222
R210	Resistor 10Kohm $\pm 5\%$	Philips	2322 211 13103
R212	Resistor 10Kohm $\pm 5\%$	Philips	2322 211 13103
R213	Resistor 10Kohm $\pm 5\%$	Philips	2322 211 13103
R214	Preset potmeter cermet 2,2Kohm $\pm 20\%$	Philips	2322 482 20222
R215	Resistor 3,3Kohm $\pm 5\%$	Philips	2322 211 13332
R216	Resistor 1,5Kohm $\pm 5\%$	Philips	2322 211 13152
R217	Resistor 10Kohm $\pm 5\%$	Philips	2322 211 13103
R218	Resistor 3,3Kohm $\pm 5\%$	Philips	2322 211 13332
R219	Resistor 2,7Kohm $\pm 5\%$	Philips	2322 106 33272
R220	Resistor 560 ohm $\pm 5\%$	Philips	2322 211 13561
R221	Resistor 3,92Kohm $\pm 1\%$	Vitrohm	471-0
R222	Resistor 22Kohm $\pm 5\%$	Philips	2322 211 13223
R223	Resistor 150 ohm $\pm 5\%$	Philips	2322 211 13151
R224	Resistor 2,7Mohm $\pm 5\%$	Philips	2322 211 12275
R225	Resistor 4,7Kohm $\pm 5\%$	Philips	2322 211 13472
R226	Resistor 2,2Kohm $\pm 5\%$	Philips	2322 211 13222
R227	Resistor 3,92Kohm $\pm 1\%$	Vitrohm	471-0
R228	Resistor 3,92Kohm $\pm 1\%$	Vitrohm	471-0
R229	Resistor 36,5Kohm $\pm 1\%$	Vitrohm	471-0
	S1300 only		
R203	Resistor 270Kohm $\pm 5\%$	Philips	2322 211 13274
R211	Resistor 15 ohm $\pm 5\%$	Philips	2322 211 13159
	R1117 only		
R203	Resistor 150Kohm $\pm 5\%$	Philips	2322 211 13154
R211	Resistor 12 ohm $\pm 5\%$	Philips	2322 211 13129

a		LOOP 1 FILTER & +18V SUPPLY UNIT S1300/R1117			2/2	
Symbol	Description			Manufact.		
C201	Capacitor ceramic	10nF-20/+80%	32V	Ferroperm	9/0145,9	
C202	Capacitor tantalum	10uF-20/+50%	25V	Ero	ETP-3F	
C203	Capacitor tantalum	10uF-20/+50%	25V	Ero	ETP-3F	
C204	Capacitor tantalum	10uF-20/+50%	25V	Ero	ETP-3F	
C205	Capacitor electrolytic	10uF- 10/+100%	40V	Siemens	B41313-A7106V	
C206	Capacitor tantalum	10uF-20/+50%	25V	Ero	ETP-3F	
C207	Capacitor polycarbonate	470nF $\pm 10\%$	100V	Philips	2222 344 21474	
C208	Capacitor ceramic	10nF-20/+80%	32V	Ferroperm	9/0145,9	
C209	Capacitor polystyrene	39nF $\pm 1\%$	63V	Philips	2222 424 43903	
C210	Capacitor tantalum	10uF-20/+50%	25 V	Ero	ETP-3F	
C211	Capacitor polyester	6,8uF $\pm 10\%$	100V	Philips	2222 344 25685	
C212	Capacitor ceramic	220pF $\pm 20\%$	400V	Ferroperm	9/0129,9	
C213	Capacitor ceramic	220pF $\pm 20\%$	400V	Ferroperm	9/0129,9	
C214	Capacitor polyester	220nF $\pm 10\%$	100V	Philips	2222 344 25224	
C215	Capacitor polyester	150nF $\pm 10\%$	100V	Philips	2222 344 25154	
C216	Capacitor polyester	220nF $\pm 20\%$	100V	Philips	2222 344 24224	
C217	Capacitor polyester	220nF $\pm 20\%$	100V	Philips	2222 344 24224	
C218	Capacitor polyester	220nF $\pm 20\%$	100V	Philips	2222 344 24224	
T201	Transistor			Philips	BD139	
T202	Transistor			Philips	BC548A	
T203	Transistor			Philips	BD138	
T204	Transistor			Philips	BC558	
T205	Transistor			Philips	BC556A	
T206	Transistor			Philips	BC548	
D201	Diode, zener	4,7V $\pm 5\%$	0,4W	Philips	BZX79C4V7	
D202	Diode, silicon			Philips	BAW62	
D203	Diode, silicon			Philips	BAW62	
D204	Diode, silicon			Philips	BAW62	
D205	Diode, zener	4,7V $\pm 5\%$	0,4W	Philips	BZX79C4V7	
D206	Diode, silicon			Philips	BAV21	
IC201	Intergrated circuit			National	LM308N	
IC202	Intergrated circuit			National	LM308N	

a	LOOP 1 MIXER S1300/R1117				1/1
Symbol	Description			Manufact.	
R501	Resistor	3.3 ohm \pm 5%	0.33W	Philips	2322 211 13338
R502	Resistor	3.3kohm \pm 5%	0.33W	Philips	2322 211 13332
R503	Resistor	15kohm \pm 5%	0.33W	Philips	2322 211 13153
R504	Resistor	2.2kohm \pm 5%	0.33W	Philips	2322 211 13222
R505	Resistor	270 ohm \pm 5%	0.33W	Philips	2322 211 13271
R506	Resistor	100 ohm \pm 5%	0.33W	Philips	2322 211 13101
R507	Resistor	10 ohm \pm 5%	0.33W	Philips	2322 211 13109
R508	Resistor	330 ohm \pm 5%	0.33W	Philips	2322 211 13331
R509	Resistor	2.7kohm \pm 5%	0.33W	Philips	2322 211 13272
R510	Resistor	680 ohm \pm 5%	0.33W	Philips	2322 211 13681
R511	Resistor	390 ohm \pm 5%	0.33W	Philips	2322 211 13391
R512	Resistor	470 ohm \pm 5%	0.33W	Philips	2322 211 13471
R513	Resistor	27kohm \pm 5%	0.33W	Philips	2322 211 13273
R514	Resistor	2.7kohm \pm 5%	0.33W	Philips	2322 211 13272
R515	Resistor	560 ohm \pm 5%	0.33W	Philips	2322 211 13479
R516	Resistor	47 ohm \pm 5%	0.33W	Philips	2322 211 13479
C501	Capacitor ceramic	10nF-20/+80%	32V	Ferroperm	9/0145.9
C502	Capacitor ceramic	10nF-20/+80%	32V	Ferroperm	9/0145.9
C503	Capacitor ceramic	10nF-20/+80%	32V	Ferroperm	9/0145.9
C504	Capacitor ceramic	10nF-20/+80%	32V	Ferroperm	9/0145.9
C505	Capacitor ceramic	10nF-20/+80%	32V	Ferroperm	9/0145.9
C506	Capacitor ceramic	10nF-20/+80%	32V	Ferroperm	9/0145.9
C507	Capacitor ceramic	47pF \pm 2%	100V	Philips	2222 638 34479
C508	Capacitor polyester	100nF \pm 20%	100V	Philips	2222 344 24104
C509	Capacitor ceramic	10nF-20/+80%	32V	Ferroperm	9/0145.9
C510	Capacitor ceramic	100pF \pm 2%	100V	Philips	2222 638 34101
C511	Capacitor polystyrene	180pF \pm 1%	500V	Philips	2222 427 41801
C512	Capacitor ceramic	33pF \pm 2%	100V	Philips	2222 638 34339
C513	Capacitor ceramic	56pF \pm 2%	100V	Philips	2222 638 34569
C514	Capacitor ceramic	10nF-20/+80%	32V	Ferroperm	9/0145.9
C515	Capacitor ceramic	10nF-20/+80%	32V	Ferroperm	9/0145.9
C516	Capacitor polyester	100nF \pm 20%	100V	Philips	2222 344 24104
L501	Coil			S.P.	TL 059
L502	Coil	12uH \pm 5%		Kaschke	220/5
L503	Coil	12uH \pm 5%		Kaschke	220/5
TR501	Transformer			S.P.	TL198
T501	Transistor			Philips	BF199
T502	Transistor			Philips	BF199
IC501	Integrated circuit			N.S.	LM 3053

VCXO AND LOOP 2 FILTER FOR S1300

1/2

Symbol	Description	Manufact.	
R601	Resistor 2,7 Kohm $\pm 5\%$ 0,33W	Philips	2322 211 13272
R602	Resistor 22 Kohm $\pm 5\%$ 0,33W	Philips	2322 211 13223
R603	Resistor 220 ohm $\pm 5\%$ 0,33W	Philips	2322 211 13221
R604	Resistor 2,7 Mohm $\pm 5\%$ 0,33W	Philips	2322 211 13275
R605	Resistor 4,7 Kohm $\pm 5\%$ 0,33W	Philips	2322 211 13472
R606	Resistor 220 Kohm $\pm 5\%$ 0,33W	Philips	2322 211 13224
R607	Resistor 18 Kohm $\pm 5\%$ 0,33W	Philips	2322 211 13183
R608	Resistor NTC 4,7Kohm $\pm 5\%$ 0,5 W	Philips	2322 635 02472
R609	Resistor 180 Kohm $\pm 5\%$ 0,33W	Philips	2322 211 13184
R610	Resistor 15 Kohm $\pm 5\%$ 0,33W	Philips	2322 211 13153
R611	Resistor 680 ohm $\pm 5\%$ 0,33W	Philips	2322 211 13681
R612	Resistor 180 ohm $\pm 5\%$ 0,33W	Philips	2322 211 13181
R613	Resistor 33 Kohm $\pm 5\%$ 0,33W	Philips	2322 211 13333
R614	Resistor 1,5 Kohm $\pm 5\%$ 0,33W	Philips	2322 211 13152
R615	Resistor 100 Kohm $\pm 5\%$ 0,33W	Philips	2322 211 13104
R616	Resistor 5,6 Kohm $\pm 5\%$ 0,33W	Philips	2322 211 13562
R617	Resistor 18 Kohm $\pm 5\%$ 0,33W	Philips	2322 211 13183
R618	Resistor 10 Kohm $\pm 5\%$ 0,33W	Philips	2322 211 13103
R619	Resistor 390 ohm $\pm 5\%$ 0,33W	Philips	2322 211 13391
R620	Resistor 39 Kohm $\pm 5\%$ 0,33W	Philips	2322 211 13393
R621	Resistor 5,6 Kohm $\pm 5\%$ 0,33W	Philips	2322 211 13562
R622	Resistor 560 ohm $\pm 5\%$ 0,33W	Philips	2322 211 13561
R623	Resistor 150 ohm $\pm 5\%$ 0,33W	Philips	2322 211 13151
R624	Resistor 560 ohm $\pm 5\%$ 0,33W	Philips	2322 211 13561
C601	Capacitor ceramic 10nF-20/+80% 32V	Ferroperm	9/0145,9
C602	Capacitor tantalum 10uF-20/+50% 25V	ERO	ETP-3F
C603	Capacitor polyester 47nF $\pm 10\%$ 100V	Philips	2222 344 25473
C604	Capacitor ceramic 33pF $\pm 2\%$ 100V	Philips	2222 642 34339
C605	Capacitor polyester 680 nF $\pm 10\%$ 100V	Philips	2222 344 25684
C606	Capacitor polyester 47nF $\pm 10\%$ 100V	Philips	2222 344 25473
C607	Capacitor polyester 470nF $\pm 10\%$ 100V	Philips	2222 344 25474
C608	Capacitor polyester 47nF $\pm 20\%$ 100V	Philips	2222 344 24473
C609	Capacitor ceramic 56pF $\pm 2\%$ 100V	Philips	2222 642 34569
C610	Capacitor polyester 51pF $\pm 1\%$ 500V	Philips	2222 427 45109
C611	Capacitor ceramic 5,6pF $\pm 0,25\text{pF}$ 63V	Draloric	3x4 N150/1B
C612	Capacitor ceramic 10nF-20/+80% 32V	Ferroperm	9/0145,9
C613	Capacitor tantalum 10uF-20/+50% 25V	Ero	ETP-3F

a		VCXO AND LOOP 2 FILTER S1300		2/2	
Symbol	Description	Manufact.			
C614	Capacitor polyester 47nF $\pm 20\%$ 100V	Philips	2222 344 24473		
C615	Capacitor tantalum 10uF $-20/+50\%$ 25V	Ero	ETP-3F		
C616	Capacitor polystyrene 220pF $\pm 5\%$ 500V	Philips	2222 427 22201		
L601	Coil	S.P.	TL 257		
T601	Transistor	Philips	BF256B		
T602	Transistor	Philips	BF199		
T603	Transistor	Philips	BC558		
D601	Diode varicap.	Motorola	MV109		
D602	Diode varicap.	Motorola	MV109		
IC601	Integrated circuit	N.S.	LM 308N		
X601	Crystal f=10097.600 kHz	S.P.	C 1010		

a

MOTOR CONTROL UNIT S1300

1/3

Symbol	Description	Manufact.	
R701	Resistor 390 ohm $\pm 5\%$	0,33W Philips	2322 211 13391
R702	Resistor 10Kohm $\pm 5\%$	0,33W Philips	2322 211 13103
R703	Resistor 3,9Kohm $\pm 5\%$	0,33W Philips	2322 211 13392
R704	Resistor 5,6Kohm $\pm 5\%$	0,33W Philips	2322 211 13562
R705	Resistor 5,6Kohm $\pm 5\%$	0,33W Philips	2322 211 13562
R706	Resistor 820 ohm $\pm 5\%$	0,33W Philips	2322 211 13821
R707	Resistor 8,2Kohm $\pm 5\%$	0,33W Philips	2322 211 13822
R708	Resistor 5,6Kohm $\pm 5\%$	0,33W Philips	2322 211 13562
R709	Resistor 5,6Kohm $\pm 5\%$	0,33W Philips	2322 211 13562
R710	Resistor 5,6Kohm $\pm 5\%$	0,33W Philips	2322 211 13562
R711	Resistor 5,6Kohm $\pm 5\%$	0,33W Philips	2322 211 13562
R712	Resistor 5,6Kohm $\pm 5\%$	0,33W Philips	2322 211 13562
R713	Resistor 5,6Kohm $\pm 5\%$	0,33W Philips	2322 211 13562
R714	Resistor 5,6Kohm $\pm 5\%$	0,33W Philips	2322 211 13562
R715	Resistor 10Kohm $\pm 5\%$	0,33W Philips	2322 211 13103
R716	Resistor 10Kohm $\pm 5\%$	0,33W Philips	2322 211 13103
R717	Resistor 5,6Kohm $\pm 5\%$	0,33W Philips	2322 211 13562
R718	Resistor 1Kohm $\pm 5\%$	0,33W Philips	2322 211 13102
R719	Resistor 1Kohm $\pm 5\%$	0,33W Philips	2322 211 13102
R720	Resistor 1Kohm $\pm 5\%$	0,33W Philips	2322 211 13102
R721	Resistor 1Kohm $\pm 5\%$	0,33W Philips	2322 211 13102
R722	Resistor 1Kohm $\pm 5\%$	0,33W Philips	2322 211 13102
R723	Resistor 3,9Kohm $\pm 5\%$	0,33W Philips	2322 211 13392
R724	Resistor 100Kohm $\pm 5\%$	0,33W Philips	2322 211 13104
R725	Resistor 3,9Kohm $\pm 5\%$	0,33W Philips	2322 211 13392
R726	Resistor 1Kohm $\pm 5\%$	0,33W Philips	2322 211 13102
R727	Resistor 100Kohm $\pm 5\%$	0,33W Philips	2322 211 13104
R728	Resistor 100Kohm $\pm 5\%$	0,33W Philips	2322 211 13104
R729	Resistor 100Kohm $\pm 5\%$	0,33W Philips	2322 211 13104
R730	Resistor 100Kohm $\pm 5\%$	0,33W Philips	2322 211 13104
R731	Resistor 100Kohm $\pm 5\%$	0,33W Philips	2322 211 13104
R732	Resistor 10Kohm $\pm 5\%$	0,33W Philips	2322 211 13103
RA701	Resistor, array 8x10Kohm $\pm 5\%$	0,125W ITT	VR8,10Kohm $\pm 5\%$
RA702	Resistor, array 8x820 ohm $\pm 5\%$	0,125W ITT	VR10,820ohm $\pm 5\%$
RA703	Resistor, array 8x10Kohm $\pm 5\%$	0,125W ITT	VR8,10Kohm $\pm 5\%$

b		MOTOR CONTROL UNIT S1300		2/3	
Symbol	Description	Manufact.			
C701	Capacitor, polyester 220nF \pm 20% 100V	Philips	2222	344	24224
C702	Capacitor, electrolytic 10uF-10/+100% 25V	Siemens	B41313-A5106-V		
C703	Capacitor, polyester 10nF \pm 20% 250V	Philips	2222	344	40103
C704	Capacitor, tantalum 0.1uF-20/+50% 35V	Ero	ETP	1A	
C705	Capacitor, tantalum 0.1uF-20/+50% 35V	Ero	ETP	1A	
C706	Capacitor, tantalum 0.1uF-20/+50% 35V	Ero	ETP	1A	
C707	Capacitor, tantalum 0.1uF-20/+50% 35V	Ero	ETP	1A	
C708	Capacitor, tantalum 0.1uF-20/+50% 35V	Ero	ETP	1A	
D701	Diode, silicon	Philips	BAV	21	
D702	Diode, silicon	Philips	BAV	21	
D703	Diode, silicon	Philips	BAV	21	
D704	Diode, silicon	Philips	BAV	21	
D705	Diode, silicon	Philips	BAV	21	
D706	Diode, silicon	Philips	BAV	21	
D707	Diode, silicon	Philips	BAV	21	
D708	Diode, silicon	Philips	BAV	21	
D709	Diode, silicon	Philips	BAV	21	
D710	Diode, silicon	Philips	BAV	21	
D711	Diode, silicon	Philips	BAV	21	
D712	Diode, silicon	Philips	BAV	21	
T701	Transistor	Philips	BC639		
T702	Transistor	Philips	BC328-25		
T703	Transistor	Philips	BC328-25		
T704	Transistor	Philips	BC328-25		
T705	Transistor	Philips	BC328-25		
T706	Transistor	Philips	BC328-25		
T707	Transistor	Philips	BC328-25		
T708	Transistor	Philips	BC328-25		
T709	Transistor	Philips	BC328-25		
T710	Transistor	Philips	BC328-25		
T711	Transistor	Philips	BC338-25		
T712	Transistor	Philips	BC548		
T713	Transistor	Philips	BC548		
T714	Transistor	Philips	BC639		
T715	Transistor	Philips	BC639		

a

MOTOR CONTROL UNIT S1300

3/3

<i>Symbol</i>	<i>Description</i>	<i>Manufact.</i>	
IC701	Integrated circuit	Texas	SN7407N
IC702	Integrated circuit	Motorola	MC14519B CP
IC703	Integrated circuit	Motorola	MC14077B CP
IC704	Integrated circuit	Motorola	MC14077B CP
IC705	Integrated circuit	Motorola	MC14081B CP
IC706	Integrated circuit	Motorola	MC14530B CP
IC707	Integrated circuit	Motorola	MC14515B CP

a		FILTER-UNIT FOR S1300		1/2	
Symbol	Description		Manufact.		
R901	Resistor	470 ohm $\pm 5\%$ 1.14W	Philips	2322	214 13471
R902	Preset potmeter, cermet	1Kohm $\pm 20\%$ 0.5W	Philips	2322	482 20102
R903	Resistor	2.7kohm $\pm 5\%$ 0.33W	Philips	2322	211 13272
R904	Resistor	220 ohm $\pm 5\%$ 0.33W	Philips	2322	211 13221
R905	Not used				
R906	Resistor	1kohm $\pm 5\%$ 0.5 W	Philips	2322	212 13102
R907	Resistor	1kohm $\pm 5\%$ 0.5 W	Philips	2322	212 13102
C901	Capacitor polyester	100nF $\pm 20\%$ 100V	Philips	2222	344 24104
C902	Capacitor polyester	100nF $\pm 20\%$ 100V	Philips	2222	344 24104
C903	Capacitor polyester	100nF $\pm 20\%$ 100V	Philips	2222	344 24104
C904	Capacitor polyester	100nF $\pm 20\%$ 100V	Philips	2222	344 24104
C905	Capacitor polyester	100nF $\pm 20\%$ 100V	Philips	2222	344 24104
C906	Capacitor polyester	100nF $\pm 20\%$ 100V	Philips	2222	344 24104
C907	Capacitor polyester	100nF $\pm 20\%$ 100V	Philips	2222	344 24104
C908	Capacitor polyester	100nF $\pm 20\%$ 100V	Philips	2222	344 24104
C909	Capacitor polyester	100nF $\pm 20\%$ 100V	Philips	2222	344 24104
C910	Capacitor polyester	100nF $\pm 20\%$ 100V	Philips	2222	344 24104
C911	Capacitor polyester	100nF $\pm 20\%$ 100V	Philips	2222	344 24104
C912	Not used				
C913	Not used				
C914	Not used				
C915	Capacitor polyester	100nF $\pm 20\%$ 100V	Philips	2222	344 24104
C916	Capacitor polycarbonate	1nF $\pm 20\%$ 630V	Ero	KC 1849	210/6
C917	Not used				
C918	Capacitor polyester	100nF $\pm 20\%$ 100V	Philips	2222	344 24104
C919	Capacitor polyester	100nF $\pm 20\%$ 100V	Philips	2222	344 24104
C920	Capacitor polyester	100nF $\pm 20\%$ 100V	Philips	2222	344 24104
C921	Capacitor polycarbonate	1nF $\pm 20\%$ 630V	Ero	KC 1849	210/6
C922	Capacitor polycarbonate	1nF $\pm 20\%$ 630V	Ero	KC 1849	210/6
C923	Capacitor electrolytic	47uF-10/+50% 63V	Siemens	B41283-C8476-T	
C924	Capacitor polyester	100nF $\pm 20\%$ 100V	Philips	2222	344 24104
C925	Capacitor tantalum	10uF-20/+50% 25V	Ero	ETP 3F	
C926	Capacitor electrolytic	10uF-10/+100%40V	Siemens	B41313-A7106-V	
C927	Capacitor polyester	100nF $\pm 20\%$ 100V	Philips	2222	344 24104
C928	Capacitor polyester	100nF $\pm 20\%$ 100V	Philips	2222	344 24104
C929	Capacitor polyester	100nF $\pm 20\%$ 100V	Philips	2222	344 24104
C930	Capacitor polyester	100nF $\pm 20\%$ 100V	Philips	2222	344 24104
C931	Capacitor polyester	100nF $\pm 20\%$ 100V	Philips	2222	344 24104
C932	Capacitor polyester	100nF $\pm 20\%$ 100V	Philips	2222	344 24104

a FILTER UNIT FOR S1300 2/2

<i>Symbol</i>	<i>Description</i>	<i>Manufact.</i>	
C933	Capacitor polycarbonate 1nF \pm 20% 630V	Ero	KC 1849 210/6
C934	Capacitor polycarbonate 1nF \pm 20% 630V	Ero	KC 1849 210/6
D901	Diode, silicon	Philips	BAV 21

c		MODE SWITCH UNIT S1300			1/2	
Symbol	Description			Manufact.		
R1001	Resistor	10kohm \pm 5%	0.33W	Philips	2322	211 13103
R1002	Resistor	18kohm \pm 5%	0.33W	Philips	2322	211 13183
R1003	Resistor	47kohm \pm 5%	0.33W	Philips	2322	211 13473
R1004	Resistor	330 ohm \pm 5%	1.14W	Philips	2322	214 13331
R1005	Resistor	68 ohm \pm 5%	0.33W	Philips	2322	211 13689
R1007	Resistor	820 ohm \pm 5%	0.33W	Philips	2322	211 13821
R1009	Resistor	1.5kohm \pm 5%	0.33W	Philips	2322	211 13152
R1010	Resistor	2.2kohm \pm 5%	0.33W	Philips	2322	211 13222
R1011	Resistor	1.5kohm \pm 5%	4W	Philips	2322	330 22152
R1012	Resistor	820 ohm \pm 5%	4W	Philips	2322	330 22821
R1013	Resistor	820 ohm \pm 5%	0.33W	Philips	2322	211 13821
R1014	Resistor	10kohm \pm 5%	0.33W	Philips	2322	211 13103
R1015	Resistor	100kohm \pm 5%	0.33W	Philips	2322	211 13104
R1016	Resistor	47kohm \pm 5%	0.33W	Philips	2322	211 13473
R1017	Resistor	10kohm \pm 5%	0.33W	Philips	2322	211 13103
R1018	Resistor	680kohm \pm 5%	0.33W	Philips	2322	106 33684
R1019	Resistor	82.5kohm \pm 1%	0.4 W	Philips	2322	151 58253
R1020	Resistor	39.2kohm \pm 1%	0.4 W	Philips	2322	151 53923
R1021	Resistor	39.2kohm \pm 1%	0.4 W	Philips	2322	151 53923
R1022	Resistor	47kohm \pm 5%	0.33W	Philips	2322	211 13473
R1023	Resistor	10kohm \pm 5%	0.33W	Philips	2322	211 13103
R1024	Resistor	1.5kohm \pm 5%	0.33W	Philips	2322	211 13152
R1025	Resistor	820 ohm \pm 5%	0.5 W	Philips	2322	212 13821
C1001	Capacitor, tantalum	4.7uF-20/+50%	35V	Ero	ETP 2E	
C1002	Capacitor, electrolytic	470uF-20/+50%	25V	Philips	2222	017 16471
C1003	Capacitor, polyester	100nF \pm 10%	100V	Philips	2222	344 25104
C1004	Capacitor, polyester	10nF \pm 20%	250V	Philips	2222	344 40103
C1005	Capacitor, polyester	10nF \pm 20%	250V	Philips	2222	344 40103
C1006	Capacitor, polyester	10nF \pm 20%	250V	Philips	2222	344 40103
C1007	Capacitor, tantalum	4.7uF-20/+50%	35V	Ero	ETP 2E	
C1008	Capacitor, tantalum	10uF \pm 20%	35V	ITT	TAP 10M 35HE	
		Maximum leakage current at Tamb=25 ^o and V _c =11V is 0.1uA after 3 min.		Kaschke		
FP1001	Ferrit bead			Kaschke	K3/1200/0.1Hz 4/2	
FP1002	Ferrit bead			Kaschke	K3/1200/0.1Hz 4/2	
FP1003	Ferrit bead			Kaschke	K3/1200/0.1Hz 4/2	
FP1004	Ferrit bead			Kaschke	K3/1200/0.1Hz 4/2	
FP1005	Ferrit bead			Kaschke	K3/1200/0.1Hz 4/2	
D1001	Diode, silicon			Philips	BAV 21	
D1002	Diode, silicon			Philips	BAV 21	

<i>Symbol</i>	<i>Description</i>	<i>Manufact.</i>	
D1003	Diode, silicon	Philips	BAV 21
D1004	Diode, silicon	Philips	BAV 21
D1005	Diode, silicon	Philips	BAV 21
D1006	Diode, silicon	Philips	BAV 21
D1007	Diode, silicon	Philips	BAV 21
D1008	Diode, silicon	Philips	BAV 21
D1009	Diode, silicon	Philips	BAV 21
D1010	Diode, silicon	Philips	BAV 21
D1011	Diode, silicon	Philips	BAV 21
D1012	Diode, silicon	Philips	BAV 21
D1013	Diode, silicon	Philips	BAV 21
D1014	Diode, silicon	Philips	BAV 21
D1015	Diode, silicon	Philips	BAV 21
D1016	Diode, silicon	Philips	BAV 21
D1017	Not used		
D1018	Diode, silicon	Philips	BAV 21
D1019	Diode, silicon	Philips	BAV 21
D1020	Diode, silicon	Philips	BAV 21
D1021	Diode, silicon	Philips	BAW 62
RE1001	Relay	Siemens	V23154-N0721-B110
RE1002	Relay	Pasi	MS/K BV863
RE1003	Relay	Siemens	V23154-N0721-B110
RE1004	Relay	Siemens	V23100-V4024-A001
T1001	Transistor	Philips	BC 558
T1002	Transistor	Philips	BC 548
IC1001	Integrated circuit	National	LM 358
S1001	Switch	S.P.	Draw. 7-3-21386
S1002	Switch	S.P.	Draw. 7-3-20060
S1003	Switch	S.P.	Draw. 7-3-21487

a		SSB-GENERATOR S1300		1/3	
Symbol	Description	Manufact.			
R1101	Resistor 5,8 Kohm $\pm 5\%$	0,33W Philips	2322	211	13682
R1102	Resistor 1 Kohm $\pm 5\%$	0,33W Philips	2322	211	13102
R1103	Resistor 220 ohm $\pm 5\%$	0,33W Philips	2322	211	13221
R1104	Resistor 1 Kohm $\pm 5\%$	0,33W Philips	2322	211	13102
R1105	Resistor 1 Kohm $\pm 5\%$	0,33W Philips	2322	211	13102
R1106	Resistor 1 Kohm $\pm 5\%$	0,33W Philips	2322	211	13102
R1107	Resistor 1 Kohm $\pm 5\%$	0,33W Philips	2322	211	13102
R1108	Resistor 6,8 Kohm $\pm 5\%$	0,33W Philips	2322	211	13682
R1109	Preset potmeter cermet 47Kohm $\pm 20\%$	0,5 W Philips	2322	482	20473
R1110	Resistor 4,7 Kohm $\pm 5\%$	0,33W Philips	2322	211	13472
R1111	Resistor 12 Kohm $\pm 5\%$	0,33W Philips	2322	211	13123
R1112	Resistor 2,2 Kohm $\pm 5\%$	0,33W Philips	2322	211	13222
R1113	Resistor 2,2 Kohm $\pm 5\%$	0,33W Philips	2322	211	13222
R1114	Resistor 2,2 Kohm $\pm 5\%$	0,33W Philips	2322	211	13222
R1115	Resistor 2,2 Kohm $\pm 5\%$	0,33W Philips	2322	211	13222
R1116	Resistor 58 ohm $\pm 5\%$	0,33W Philips	2322	211	13689
R1117	Resistor 150 ohm $\pm 5\%$	0,33W Philips	2322	211	13151
R1118	Resistor 33 Kohm $\pm 5\%$	0,33W Philips	2322	211	13333
R1119	Resistor 47 Kohm $\pm 5\%$	0,33W Philips	2322	211	13473
R1120	Resistor 47 Kohm $\pm 5\%$	0,33W Philips	2322	211	13473
R1121	Resistor 47 ohm $\pm 5\%$	0,33W Philips	2322	211	13479
R1122	Resistor 47 ohm $\pm 5\%$	0,33W Philips	2322	211	13479
R1123	Resistor 270 ohm $\pm 5\%$	0,33W Philips	2322	211	13271
R1124	Resistor 47Kohm $\pm 5\%$	0,33W Philips	2322	211	13473
R1125	Preset potmeter cermet 100 ohm $\pm 20\%$	0,5 W Philips	2322	482	20101
R1126	Resistor 330 ohm $\pm 5\%$	0,33W Philips	2322	211	13331
R1127	Resistor 330 ohm $\pm 5\%$	0,33W Philips	2322	211	13331
R1128	Resistor 1,2 Kohm $\pm 5\%$	0,33W Philips	2322	211	13122
R1129	Resistor 47 Kohm $\pm 5\%$	0,33W Philips	2322	211	13473
R1130	Resistor 470 ohm $\pm 5\%$	0,33W Philips	2322	211	13471
R1131	Resistor 2,2 Kohm $\pm 5\%$	0,33W Philips	2322	211	13222
R1132	Resistor 18 Kohm $\pm 5\%$	0,33W Philips	2322	211	13183
R1133	Resistor 56 Kohm $\pm 5\%$	0,33W Philips	2322	211	13563
R1134	Resistor 100 ohm $\pm 5\%$	0,33W Philips	2322	211	13101
R1135	Resistor 1 Kohm $\pm 5\%$	0,33W Philips	2322	211	13102
R1136	Resistor 1 Kohm $\pm 5\%$	0,33W Philips	2322	211	13102
R1137	Resistor 22 Kohm $\pm 5\%$	0,33W Philips	2322	211	13223
R1138	Resistor 68 Kohm $\pm 5\%$	0,33W Philips	2322	211	13683
R1139	Resistor 1.5 Kohm $\pm 5\%$	0,33W Philips	2322	211	13152

a

SSB-GENERATOR S1300

2/3

Symbol	Description	Manufact.	
R1140	Resistor NTC 1kohm $\pm 10\%$	Philips	2322 642 12102
R1141	Resistor 1kohm $\pm 5\%$	Philips	2322 211 13102
R1142	Resistor 150 ohm $\pm 5\%$	Philips	2322 211 13151
R1143	Resistor 330 ohm $\pm 5\%$	Philips	2322 211 13331
R1144	Resistor 2.7Kohm $\pm 5\%$	Philips	2322 211 13272
R1145	Resistor 1.8Kohm $\pm 5\%$	Philips	2322 211 13782
R1146	Resistor 2.2Kohm $\pm 5\%$	Philips	2322 211 13222
R1147	Resistor 1.5Kohm $\pm 5\%$	Philips	2322 211 13152
R1148	Resistor 68 ohm $\pm 5\%$	Philips	2322 211 13689
R1149	Resistor 15Kohm $\pm 5\%$	Philips	2322 211 13153
R1150	Resistor 350 ohm $\pm 5\%$	Philips	2322 211 13331
R1151	Preset pot. meter cermet 220 ohm $\pm 20\%$	Philips	2322 482 20221
R1152	Resistor 220 ohm $\pm 5\%$	Philips	2322 211 13221
C1101	Capacitor tantalum 4.7uF -20/+50%	Ero	ETP 2E
C1102	Capacitor polyester 100nF $\pm 20\%$	Philips	2222 344 24104
C1103	Capacitor polyester 100nF $\pm 20\%$	Philips	2222 344 24104
C1104	Capacitor polyester 100nF $\pm 20\%$	Philips	2222 344 24104
C1105	Capacitor polyester 100nF $\pm 20\%$	Philips	2222 344 24104
C1106	Capacitor polyester 100nF $\pm 20\%$	Philips	2222 344 24104
C1107	Capacitor polyester 100nF $\pm 20\%$	Philips	2222 344 24104
C1108	Capacitor polystyrene 1,2nF $\pm 5\%$	Philips	2222 425 21202
C1109	Capacitor polystyrene 4,7nF $\pm 5\%$	Philips	2222 425 24702
C1110	Capacitor polyester 100nF $\pm 20\%$	Philips	2222 344 24104
C1111	Capacitor polyester 100nF $\pm 20\%$	Philips	2222 344 24104
C1112	Capacitor polyester 100nF $\pm 20\%$	Philips	2222 344 24104
C1113	Capacitor polyester 100nF $\pm 20\%$	Philips	2222 344 24104
C1114	Capacitor polystyrene 1nF $\pm 5\%$	Philips	2222 425 21002
C1115	Capacitor polyester 100nF $\pm 20\%$	Philips	2222 344 24104
C1116	Capacitor electrolytic 100uF -20/+50%	Siemens	B41283-B5107-T
C1117	Capacitor polyester 100nF $\pm 20\%$	Philips	2222 344 24104
C1118	Capacitor polyester 10nF $\pm 20\%$	Philips	2222 344 40103
C1119	Capacitor polyester 100nF $\pm 20\%$	Philips	2222 344 24104
C1120	Capacitor polyester 100nF $\pm 20\%$	Philips	2222 344 20103
C1121	Capacitor polyester 10nF $\pm 20\%$	Philips	2222 344 40103
C1122	If fitted: Capacitor ceramic 27pF $\pm 5\%$	Ferroperm	9/0112.9
C1123	Capacitor trimmer teflon 2.5-45pF NPO	DAU	107-5901 045
C1124	Capacitor polyester 100nF $\pm 20\%$	Philips	2222 344 24104
C1125	Capacitor polystyrene 1nF $\pm 5\%$	Philips	2222 425 21002

a		SSB-GENERATOR S1300		3/3	
Symbol	Description			Manufact.	
C1126	Capacitor polyester 100nF $\pm 20\%$	100V	Philips	2222 344 24104	
C1127	Capacitor polystyrene 1,5nF $\pm 5\%$	125V	Philips	2222 425 21502	
C1128	Capacitor polystyrene 3,3nF $\pm 5\%$	125V	Philips	2222 425 23302	
C1129	Capacitor polyester 100nF $\pm 20\%$	100V	Philips	2222 344 24104	
C1130	Capacitor polyester 100nF $\pm 20\%$	100V	Philips	2222 344 24104	
C1131	Capacitor polyester 100nF $\pm 20\%$	100V	Philips	2222 344 24104	
C1132	Capacitor polyester 100nF $\pm 20\%$	100V	Philips	2222 344 24104	
C1133	Capacitor polyester 100nF $\pm 20\%$	100V	Philips	2222 344 24104	
C1134	Capacitor polyester 100nF $\pm 20\%$	100V	Philips	2222 344 24104	
C1135	Capacitor polystyrene 1nF $\pm 5\%$	125V	Philips	2222 425 21002	
C1136	Capacitor polyester 100nF $\pm 20\%$	100V	Philips	2222 344 24104	
L1101	Coil		S.P.	TL013	
L1102	Coil		Prahn	1580/9K	
L1103	Coil		S.P.	TL 020	
L1104	Coil 1mH		Prahn	1580/9K	
L1105	Coil 1mH		S.P.	TL 076	
L1106	Coil		S.P.	TL 026	
L1107	Coil		S.P.	TL 013	
L1108	Coil		S.P.	TL 220	
T1101	Transistor silicon		Philips	BC 547	
T1102	Transistor silicon		Philips	BC 547	
T1103	Transistor silicon		Philips	BC 547	
T1104	Transistor silicon		Philips	BC 547	
T1105	Transistor silicon		Philips	BF 199	
D1101	Diode, switch		Philips	BA 182	
D1102	Diode, switch		Philips	BA 182	
D1103	Diode, switch		Philips	BA 182	
D1104	Diode, switch		Philips	BA 182	
IC1101	Integrated circuit		RCA	CA3019	
TL1101	LSB crystal filter 600 kHz		S.P.	Ci002	

Symbol	Description	Manufact.	
R1201	Preset pot.meter, cermet 1Kohm $\pm 20\%$ 0,5W	Philips	2322 482 20102
R1202	Resistor 330 ohm $\pm 5\%$ 1,15W	Philips	2322 214 13331
R1203	Resistor 1Kohm $\pm 5\%$ 0,33W	Philips	2322 211 13102
R1204	Resistor 2,7Kohm $\pm 5\%$ 0,33W	Philips	2322 211 13272
R1205	Resistor 2,7Kohm $\pm 5\%$ 0,33W	Philips	2322 211 13272
R1206	Resistor 180 ohm $\pm 5\%$ 0,33W	Philips	2322 211 13181
R1207	Resistor 100 ohm $\pm 5\%$ 0,33W	Philips	2322 211 13101
R1208	Resistor 4,7Kohm $\pm 5\%$ 0,33W	Philips	2322 211 13472
R1209	Resistor 100Kohm $\pm 5\%$ 0,33W	Philips	2322 211 13104
R1210	Resistor 2,7Kohm $\pm 5\%$ 0,33W	Philips	2322 211 13272
R1211	Resistor 820 ohm $\pm 5\%$ 0,33W	Philips	2322 211 13821
R1212	Resistor 100Kohm $\pm 5\%$ 0,33W	Philips	2322 211 13104
R1213	Resistor 220Kohm $\pm 5\%$ 0,33W	Philips	2322 211 13224
R1214	Resistor 4,7Kohm $\pm 5\%$ 0,33W	Philips	2322 211 13472
R1215	Resistor 4,7Kohm $\pm 5\%$ 0,33W	Philips	2322 211 13472
R1216	Resistor 390 ohm $\pm 5\%$ 0,33W	Philips	2322 211 13391
R1217	Resistor 10Kohm $\pm 5\%$ 0,33W	Philips	2322 211 13103
R1218	Resistor 4,7Kohm $\pm 5\%$ 0,33W	Philips	2322 211 13472
R1219	Resistor 10Kohm $\pm 5\%$ 0,33W	Philips	2322 211 13103
R1220	Resistor 1Kohm $\pm 5\%$ 0,33W	Philips	2322 211 13102
R1221	Resistor 470 ohm $\pm 5\%$ 0,33W	Philips	2322 211 13471
R1222	Resistor 2,2Kohm $\pm 5\%$ 0,33W	Philips	2322 211 13222
R1223	Resistor 220Kohm $\pm 5\%$ 0,33W	Philips	2322 211 13224
R1224	Preset potmeter, cermet 100Kohm $\pm 20\%$ 0,5W	Philips	2322 482 20104
R1225	Resistor 2,2Kohm $\pm 5\%$ 0,33W	Philips	2322 211 13222
R1226	Resistor 10Kohm $\pm 5\%$ 0,33W	Philips	2322 211 13103
R1227	Resistor 3,9Kohm $\pm 5\%$ 0,33W	Philips	2322 211 13392
R1228	Resistor 3,9Kohm $\pm 5\%$ 0,33W	Philips	2322 211 13392
R1229	Resistor 100Kohm $\pm 5\%$ 0,33W	Philips	2322 211 13104
R1230	Resistor 1Kohm $\pm 5\%$ 0,33W	Philips	2322 211 13102
R1231	Resistor 2,2Kohm $\pm 5\%$ 0,33W	Philips	2322 211 13222
R1232	preset potmeter cermet 470 ohm $\pm 20\%$ 0,5W	Philips	2322 482 20471
R1233	Resistor 47Kohm $\pm 5\%$ 0,33W	Philips	2322 211 13473
R1234	Resistor 47Kohm $\pm 5\%$ 0,33W	Philips	2322 211 13473
R1235	Resistor 2,2Kohm $\pm 5\%$ 0,33W	Philips	2322 211 13222
R1236	Resistor 1Kohm $\pm 5\%$ 0,33W	Philips	2322 211 13102
R1237	Resistor 1Kohm $\pm 5\%$ 0,33W	Philips	2322 211 13102

a		MICROPHONE AMPLIFIER S1300			2/3
Symbol	Description		Manufact.		
R1238	Resistor 3.9kohm $\pm 5\%$	0.33W	Philips	2322 211 13392	
R1239	Resistor 2.2kohm $\pm 5\%$	0.33W	Philips	2322 211 13222	
R1240	Resistor 2.2kohm $\pm 5\%$	0.33W	Philips	2322 211 13222	
R1241	Resistor 2.2kohm $\pm 5\%$	0.33W	Philips	2322 211 13222	
R1242	Resistor 390 ohm $\pm 5\%$	0.33W	Philips	2322 211 13391	
R1243	Resistor 270 ohm $\pm 5\%$	0.33W	Philips	2322 211 13271	
R1244	Resistor 120 ohm $\pm 5\%$	0.33W	Philips	2322 211 13121	
R1245	Resistor 1kohm $\pm 5\%$	0.33W	Philips	2322 211 13102	
R1246	Resistor 1kohm $\pm 5\%$	0.33W	Philips	2322 211 13102	
R1247	Resistor 1kohm $\pm 5\%$	0.33W	Philips	2322 211 13102	
C1201	Capacitor tantalum 33uF-20/+50%	10V	Ero	ETP 3G	
C1202	Capacitor tantalum 4.7uF-20/+50%	35V	Ero	ETP 2E	
C1203	Capacitor tantalum 220nF-20/+50%	35V	Ero	ETP 1A	
C1204	Capacitor ceramic 1nF-20/+80%	40V	Ferroperm	9/0129.8	
C1205	Capacitor ceramic 1nF-20/+80%	40V	Ferroperm	9/0129.8	
C1206	Capacitor tantalum 4.7uF-20/+50%	35V	Ero	ETP 2E	
C1207	Capacitor tantalum 100nF-20/+50%	35V	Ero	ETP 1A	
C1208	Capacitor electrolytic 470uF-10/+50%	10V	Siemens	B41283-A3477-T	
C1209	Capacitor polyester 100nF $\pm 20\%$	100V	Philips	2222 344 24104	
C1210	Capacitor tantal 4.7uF-20/+50%	35V	Ero	ETP 2E	
C1211	Capacitor ceramic 150pF $\pm 10\%$	25V	Ferroperm	9/0121.8	
C1212	Capacitor polyester 100nF $\pm 20\%$	100V	Philips	2222 344 24104	
C1213	Capacitor polyester 100nF $\pm 20\%$	100V	Philips	2222 344 24104	
C1214	Capacitor electrolytic 10uF-10/+50%	63V	Siemens	B41283-A8106-T	
C1215	Capacitor polyester 100nF $\pm 20\%$	100V	Philips	2222 344 24104	
C1216	Capacitor tantalum 4.7uF-20/+50%	35V	Ero	ETP 2E	
C1217	Capacitor tantalum 4.7uF-20/+50%	35V	Ero	ETP 2E	
C1218	Capacitor tantalum 10uF-20/+50%	25V	Ero	ETP 3F	
C1219	Capacitor polyester 47nF $\pm 10\%$	250V	Philips	2222 344 41473	
C1220	Capacitor tantalum 4.7uF-20/+50%	35V	Ero	ETP 2E	
C1221	Capacitor tantalum 4.7uF-20/+50%	35V	Ero	ETP 2E	
C1222	Capacitor tantalum 4.7uF-20/+50%	35V	Ero	ETP 2E	
C1223	Capacitor polyester 68nF $\pm 10\%$	250V	Philips	2222 344 41683	
C1224	Capacitor tantalum 4.7uF-20/+50%	35V	Ero	ETP 2E	
C1225	Capacitor tantalum 4.7uF-20/+50%	35V	Ero	ETP 2E	
C1226	Capacitor tantalum 4.7uF-20/+50%	35V	Ero	ETP 2E	
L1201	Coil		S.P.	TL 219	

MICROPHONE AMPLIFIER S1300

3/3

Symbol	Description	Manufact.	
T1201	Transistor	Philips	BC 338
T1202	Transistor	Philips	BF 256 B
T1203	Transistor	Philips	BC 548B
T1204	Transistor	Philips	BC 548B
T1205	Transistor	Philips	BC 548B
T1206	Transistor	Philips	BC 548B
T1207	Transistor	Philips	BC 558B
T1208	Transistor	Philips	BC 558B
T1209	Transistor	Philips	BC 548B
T1210	Transistor	Philips	BC 548B
T1211	Transistor	Philips	BC 548B
T1212	Transistor	Philips	BC 548B
T1213	Transistor	Philips	BC 548B
D1201	Diode, zener 5.1V $\pm 5\%$	1W Motorola	1N4733A
D1202	Diode, zener 5.1V $\pm 5\%$	0.4W Philips	BZX79 C5V1
D1203	Diode, silicon	Philips	BAV 21
D1204	Diode, zener 7.5V $\pm 5\%$	0.4W Philips	BZX79 C7V5
D1205	Diode, silicon	Philips	BAV 21
D1206	Diode, switch	Philips	BA 182
D1207	Diode, switch	Philips	BA 182
D1208	Diode, switch	Philips	BA 182
D1209	Diode, switch	Philips	BA 182
IC1201	Integrated circuit	Texas	SN7472N

a ALARM SIGNAL GENERATOR S1300							1/2
Symbol	Description			Manufact.			
R1301	Preset pot.meter	100Kohm	$\pm 20\%$	0,1W	Philips	2322 410 43311	
R1302	Resistor	2,7Kohm	$\pm 5\%$	0,33W	Philips	2322 211 13272	
R1303	Resistor	150 ohm	$\pm 5\%$	0,33W	Philips	2322 211 13151	
R1304	Resistor	33 ohm	$\pm 5\%$	0,33W	Philips	2322 211 13339	
R1305	Resistor	1Kohm	$\pm 5\%$	0,33W	Philips	2322 211 13102	
R1306	Resistor	2,7Kohm	$\pm 5\%$	0,33W	Philips	2322 211 13272	
R1307	Resistor	150 ohm	$\pm 5\%$	0,33W	Philips	2322 211 13151	
R1308	Resistor	82Kohm	$\pm 5\%$	0,33W	Philips	2322 211 13823	
R1309	Resistor	22Kohm	$\pm 5\%$	0,33W	Philips	2322 211 13223	
R1310	Resistor	270 ohm	$\pm 5\%$	0,33W	Philips	2322 211 13271	
R1311	Resistor	22Kohm	$\pm 5\%$	0,33W	Philips	2322 211 13223	
R1312	Resistor	100 ohm	$\pm 5\%$	0,33W	Philips	2322 211 13101	
R1313	Resistor	82Kohm	$\pm 5\%$	0,33W	Philips	2322 211 13823	
R1314	Resistor	2,7Kohm	$\pm 5\%$	0,33W	Philips	2322 211 13272	
R1315	Resistor	1Kohm	$\pm 5\%$	0,33W	Philips	2322 211 13102	
R1316	Resistor	3,3Kohm	$\pm 5\%$	0,33W	Philips	2322 211 13332	
R1317	Resistor	15Kohm	$\pm 5\%$	0,33W	Philips	2322 211 13153	
R1318	Resistor	27Kohm	$\pm 5\%$	0,33W	Philips	2322 211 13273	
R1319	Resistor	150 ohm	$\pm 5\%$	0,33W	Philips	2322 211 13151	
R1320	Resistor	1Kohm	$\pm 5\%$	0,33W	Philips	2322 211 13102	
R1321	Resistor	270 ohm	$\pm 5\%$	1,14W	Philips	2322 214 13271	
R1322	Resistor	10Kohm	$\pm 5\%$	0,33W	Philips	2322 211 13103	
R1323	Resistor	270Kohm	$\pm 5\%$	0,33W	Philips	2322 211 13274	
R1324	Resistor	27 ohm	$\pm 5\%$	0,33W	Philips	2322 211 13279	
R1325	Resistor	330Kohm	$\pm 5\%$	0,33W	Philips	2322 211 13334	
C1301	Capacitor tantalum	4,7uF	-20/+50%	35V	Ero	ETP 2E	
C1302	Capacitor tantalum	10uF	-20/+50%	25V	Ero	ETP 3F	
C1303	Capacitor tantalum	1,5uF	-20/+50%	35V	Ero	ETP 1E	
C1304	Capacitor polystyren	22nF	$\pm 1\%$	125V	Philips	2222 425 42203	
C1305	Capacitor polyester	22nF	$\pm 10\%$	250V	Philips	2222 344 41223	
C1306	Capacitor polyester	22nF	$\pm 10\%$	250V	Philips	2222 344 41223	
C1307	Capacitor tantalum	10uF	-20/+50%	25V	Ero	ETP 3F	
C1308	Capacitor polystyren	47nF	$\pm 1\%$	125V	Philips	2222 425 44703	
C1309	Capacitor tantalum	3,3uF	-20/+50%	35V	Ero	ETP 2D	
C1310	Capacitor tantalum	22uF	-20/+50%	16V	Ero	ETP 3G	

Symbol	Description	Manufact.	
C1311	Capacitor tantalum 10uF-20/+50% 25V	Ero	ETP 3F
C1312	Capacitor tantalum 22uF-20/+50% 16V	Ero	ETP 3G
C1313	Capacitor tantalum 22uF-20/+50% 16V	Ero	ETP 3G
C1314	Capacitor tantalum 4,7uF-20/+50% 35V	Ero	ETP 2E
C1315	Capacitor polyester 10nF $\pm 10\%$ 250V	Philips	2222 344 41103
C1316	Capacitor tantalum 68uF $\pm 10\%$ 16V	Ero	ETQ 5
L1301	Coil	SP	TL022
L1302	Coil	SP	TL021
D1301	Diode, silicon	Philips	BAX 16
D1302	Diode, switch	Philips	BA182
D1303	Diode, switch	Philips	BA182
D1304	Diode, zener, 7,5V $\pm 5\%$ 1W	Motorola	1N4737A
T1301	Transistor	Motorola	2N4871
T1302	Transistor	Philips	BC548
T1303	Transistor	Philips	BC548
T1304	Transistor	Philips	BC338
T1305	Transistor	Philips	BC548
IC1301	Integrated circuit	Texas	SN 7472 N
IC1302	Integrated circuit	Motorola	MC 1455 P1.

a		DRIVER-UNIT FOR S1300			1/1	
Symbol	Description			Manufact.		
R1401	Resistor	560 ohm	$\pm 5\%$	1,14W	Philips	2322 214 13561
R1402	Resistor	15 ohm	$\pm 5\%$	0,5 W	Philips	2322 212 23159
R1403	Resistor	15 ohm	$\pm 5\%$	0,5 W	Philips	2322 212 23159
C1401	Capacitor polyester	220nF	$\pm 20\%$	100V	Philips	2222 344 24224
C1402	Capacitor ceramic	10nF	-20/+80%	32V	Ferroperm	9/0145,9
C1403	Capacitor polyester	22nF	$\pm 20\%$	250V	Philips	2222 344 40223
C1404	Capacitor polyester	220nF	$\pm 20\%$	100V	Philips	2222 344 24224
L1401	Coil	330nH	$\pm 10\%$		Ferroperm	1582/7
L1402	Coil	33uH	$\pm 10\%$		Ferroperm	1583
L1403	Coil	33uH	$\pm 10\%$		Ferroperm	1583
T1401	Transistor, $h_{FE} > 10$ for ($V_{CE}, I_C = (5V, 0,25A)$)				Motorola	2N5641, ZRF0132
RE1401	If fitted Relay				Siemens	V23100-V4024-A001

BANDFILTER S1300

1/4

Symbol	Description	Manufact.	
R1501	Resistor 220 ohm $\pm 5\%$	Philips	2322 211 13221
R1502	Resistor 470 ohm $\pm 5\%$	Philips	2322 106 33471
R1503	Resistor 39 ohm $\pm 5\%$	Philips	2322 211 13399
R1504	Resistor 120 ohm $\pm 5\%$	Philips	2322 211 13121
R1505	Resistor 10 ohm $\pm 5\%$	Philips	2322 211 13109
R1506	Resistor 27 ohm $\pm 5\%$	Philips	2322 211 13279
R1507	Resistor 120 ohm $\pm 5\%$	Philips	2322 212 13121
R1508	Resistor 390 ohm $\pm 5\%$	Philips	2322 106 33391
R1509	Resistor 1,5Kohm $\pm 5\%$	Philips	2322 211 13152
R1510	Not mounted		
R1511	Resistor 390 ohm $\pm 5\%$	Philips	2322 106 33391
R1512	Resistor 1,5Kohm $\pm 5\%$	Philips	2322 211 13152
R1513	Not mounted		
R1514	Resistor 390 ohm $\pm 5\%$	Philips	2322 106 33391
R1515	Resistor 1,5Kohm $\pm 5\%$	Philips	2322 211 13152
R1516	Not mounted		
R1517	Resistor 390 ohm $\pm 5\%$	Philips	2322 106 33391
R1518	Resistor 1,5Kohm $\pm 5\%$	Philips	2322 211 13152
R1519	Resistor 15Kohm $\pm 5\%$	Philips	2322 211 13153
R1520	Resistor 390 ohm $\pm 5\%$	Philips	2322 106 33391
R1521	Resistor 1,5Kohm $\pm 5\%$	Philips	2322 211 13152
R1522	Resistor 15Kohm $\pm 5\%$	Philips	2322 211 13153
R1523	Resistor 390 ohm $\pm 5\%$	Philips	2322 106 33391
R1524	Resistor 1,5Kohm $\pm 5\%$	Philips	2322 211 13152
R1525	Resistor 22Kohm $\pm 5\%$	Philips	2322 211 13223
R1526	Resistor 180Kohm $\pm 5\%$	Philips	2322 211 13184
R1527	Resistor 390 ohm $\pm 5\%$	Philips	2322 106 33391
R1528	Resistor 1,5Kohm $\pm 5\%$	Philips	2322 211 13152
R1529	Resistor 680 ohm $\pm 5\%$	Philips	2322 211 13681
R1530	Resistor 150 ohm $\pm 5\%$	Philips	2322 211 13151
R1531	Resistor 180 ohm $\pm 5\%$	Philips	2322 211 13181
R1532	Resistor 68 ohm $\pm 5\%$	Philips	2322 211 13689
R1533	Resistor 18 ohm $\pm 5\%$	Philips	2322 211 13189

a		BANDFILTER S1300		2/4		
Symbol	Description			Manufact.		
R1534	Preset pot.meter,cermet	100 ohm	$\pm 20\%$	0,5W	Philips	2322 482 20101
R1535	Resistor	680 ohm	$\pm 5\%$	0,5W	Philips	2322 212 13681
R1536	Preset pot.meter	47 ohm	$\pm 10\%$	3W	A.B.Metal	115 Q 7
R1537	Resistor	27 ohm	$\pm 5\%$	0,33W	Philips	2322 211 13279
C1501	Capacitor polyester	100 nF	$\pm 20\%$	100V	Philips	2222 344 24104
C1502	Capacitor polyester	100 nF	$\pm 20\%$	100V	Philips	2222 344 24104
C1503	Capacitor polyester	100 nF	$\pm 20\%$	100V	Philips	2222 344 24104
C1504	Capacitor ceramic	10 nF	-20/+80%	32V	Ferroperm	9/0145,9
C1505	Capacitor polyester	100 nF	$\pm 20\%$	100V	Philips	2222 344 24104
C1506	Capacitor ceramic	10 nF	-20/+80%	32V	Ferroperm	9/0145,9
C1507	Capacitor polyester	22 nF	$\pm 20\%$	250V	Philips	2222 344 40223
C1508	Capacitor polyester	22 nF	$\pm 20\%$	250V	Philips	2222 344 40223
C1509	Capacitor polystyrene	62 pF	$\pm 2\%$	500V	Philips	2222 427 36209
C1510	Capacitor ceramic	3,3 pF	$\pm 0,25\text{pF}$	NPO 400V	Ferroperm	9/0112,9
C1511	Capacitor polystyrene	180 pF	$\pm 2\%$	500V	Philips	2222 427 31801
C1512	Capacitor polystyrene	91 pF	$\pm 2\%$	500V	Philips	2222 427 39109
C1513	Capacitor polyester	22 nF	$\pm 20\%$	250V	Philips	2222 344 40223
C1514	Capacitor polyester	22 nF	$\pm 20\%$	250V	Philips	2222 344 40223
C1515	Capacitor polystyrene	75 pF	$\pm 2\%$	500V	Philips	2222 427 37509
C1516	Capacitor ceramic	4,3pF	$\pm 0,25\text{pF}$	NPO 400V	Ferroperm	9/0112,9
C1517	Capacitor polystyrene	220 pF	$\pm 2\%$	500V	Philips	2222 427 32201
C1518	Capacitor polystyrene	110 pF	$\pm 2\%$	500V	Philips	2222 427 31101
C1519	Capacitor polyester	22 nF	$\pm 20\%$	250V	Philips	2222 344 40223
C1520	Capacitor polyester	22 nF	$\pm 20\%$	250V	Philips	2222 344 40223
C1521	Capacitor polystyrene	91 pF	$\pm 2\%$	500V	Philips	2222 427 39109
C1522	Capacitor ceramic	5,1pF	$\pm 0,25\text{pF}$	NPO 400V	Ferroperm	9/0112,9
C1523	Capacitor polystyrene	270 pF	$\pm 2\%$	500V	Philips	2222 427 32701
C1524	Capacitor polystyrene	130 pF	$\pm 2\%$	500V	Philips	2222 427 31301
C1525	Capacitor polyester	22 nF	$\pm 20\%$	250V	Philips	2222 344 40223
C1526	Capacitor polyester	22 nF	$\pm 20\%$	250V	Philips	2222 344 40223

Symbol	Description	Manufact.	
L1527	Capacitor polystyrene 120 pF $\pm 2\%$ 500V	Philips	2222 427 31201
L1528	Capacitor ceramic 7,5 pF $\pm 0,25$ pF NPO 400V	Ferroperm	9/0112,9
C1529	Capacitor polystyrene 330 pF $\pm 2\%$ 500V	Philips	2222 427 33301
L1530	Capacitor polystyrene 180 pF $\pm 2\%$ 500V	Philips	2222 427 31801
C1531	Capacitor polyester 22 nF $\pm 20\%$ 250V	Philips	2222 344 40223
C1532	Capacitor polyester 22 nF $\pm 20\%$ 250V	Philips	2222 344 40223
L1533	Capacitor polystyrene 180 pF $\pm 2\%$ 500V	Philips	2222 427 31801
C1534	Capacitor ceramic 11 pF $\pm 5\%$ NPO 400V	Ferroperm	9/0112,9
L1535	Capacitor polystyrene 510 pF $\pm 2\%$ 250V	Philips	2222 426 35101
L1536	Capacitor polystyrene 270 pF $\pm 2\%$ 500V	Philips	2222 427 32701
C1537	Capacitor polyester 22 nF $\pm 20\%$ 250V	Philips	2222 344 40223
L1538	Capacitor polyester 22 nF $\pm 20\%$ 250V	Philips	2222 344 40233
C1539	Capacitor polystyrene 220 pF $\pm 2\%$ 500V	Philips	2222 427 32201
C1540	Capacitor ceramic 13 pF $\pm 5\%$ NPO 400V	Ferroperm	9/0112,9
L1541	Capacitor polystyrene 680 pF $\pm 2\%$ 250V	Philips	2222 426 36801
C1542	Capacitor polystyrene 330 pF $\pm 2\%$ 500V	Philips	2222 427 33301
L1543	Capacitor polystyrene 150 pF $\pm 2\%$ 500V	Philips	2222 427 31501
L1544	Capacitor polyester 100 nF $\pm 20\%$ 100V	Philips	2222 344 24104
C1545	Capacitor polystyrene 390 pF $\pm 2\%$ 250V	Philips	2222 426 33901
L1546	Capacitor polystyrene 150 pF $\pm 2\%$ 500V	Philips	2222 427 31501
C1547	Capacitor polyester 100 nF $\pm 20\%$ 100V	Philips	2222 344 24104
C1548	Capacitor polyester 220 nF $\pm 20\%$ 100V	Philips	2222 344 24224
L1549	Capacitor polystyrene 3,9 nF $\pm 5\%$ 63V	Philips	2222 424 23902
C1550	Capacitor polyester 220 nF $\pm 20\%$ 100V	Philips	2222 344 24224
L1551	Capacitor polyester 220 nF $\pm 20\%$ 100V	Philips	2222 344 24224
L1552	Capacitor ceramic 10 nF $-20/+80\%$ 32V	Ferroperm	9/0145,9
C1553	Capacitor polyester 220 nF $\pm 20\%$ 100V	Philips	2222 344 24224
L1501	Coil	S.P.	TL 247
L1502	Coil	S.P.	TL 248
L1503	Coil	S.P.	TL 245
L1504	Coil	S.P.	TL 246
L1505	Coil	S.P.	TL 243
L1506	Coil	S.P.	TL 244
L1507	Coil	S.P.	TL 241
L1508	Coil	S.P.	TL 242
L1509	Coil	S.P.	TL 239

a BANDFILTER S1300 4/4			
<i>Symbol</i>	<i>Description</i>	<i>Manufact.</i>	
L1510	Coil	S.P.	TL 240
L1511	Coil	S.P.	TL 237
L1512	Coil	S.P.	TL 238
L1513	Coil	S.P.	TL 236
L1514	Coil	S.P.	TL 236
T1501	Transistor	Philips	BFW17A
T1502	Transistor	Philips	BFW17A
D1501	Diode, switch	Philips	BA182
D1501	Diode, switch	Philips	BA182
D1502	Diode, switch	Philips	BA182
D1503	Diode, switch	Philips	BA182
D1504	Diode, switch	Philips	BA182
D1505	Diode, switch	Philips	BA182
D1506	Diode, switch	Philips	BA182
D1507	Diode, switch	Philips	BA182
D1508	Diode, switch	Philips	BA182
D1509	Diode, switch	Philips	BA182
D1510	Diode, switch	Philips	BA182
D1511	Diode, switch	Philips	BA182
D1512	Diode, switch	Philips	BA182
D1513	Diode, switch	Philips	BA182
D1514	Diode, switch	Philips	BA182
D1515	Diode, switch	Philips	BA182
D1516	Diode, switch	Philips	BA182
D1517	Diode, switch	Philips	BA182
D1518	Diode, silicon	Philips	BAV21
TR1501	Transformer	S.P.	TL 249
TR1502	Transformer	S.P.	TL 250

MIXER UNIT S1300

1/3

Symbol	Description	Manufact.	
R1601	Resistor 820 ohm \pm 5%	Philips	2322 211 13821
R1602	Resistor 1.5kohm \pm 5%	Philips	2322 211 13152
R1603	Resistor 6.8kohm \pm 5%	Philips	2322 211 13682
R1604	Resistor 820 ohm \pm 5%	Philips	2322 211 13821
R1605	Resistor 3.3kohm \pm 5%	Philips	2322 211 13332
R1606	Resistor 33 ohm \pm 5%	Philips	2322 211 13339
R1607	Resistor NTC 1kohm \pm 10%	Philips	2322 642 12102
R1608	Resistor 330 ohm \pm 5%	Philips	2322 211 13331
R1609	Resistor 220 ohm \pm 5%	Philips	2322 211 13221
R1610	Resistor 150 ohm \pm 5%	Philips	2322 211 13151
R1611	Resistor 15 ohm \pm 5%	Philips	2322 211 13159
R1612	Resistor 4.7kohm \pm 5%	Philips	2322 211 13472
R1613	Resistor 3.3kohm \pm 5%	Philips	2322 211 13332
R1614	Resistor 15 ohm \pm 5%	Philips	2322 211 13159
R1615	Resistor 68 ohm \pm 5%	Philips	2322 211 13689
R1616	Resistor 68 ohm \pm 5%	Philips	2322 211 13689
R1617	Resistor 180 ohm \pm 5%	Philips	2322 211 13181
R1618	Resistor 1kohm \pm 5%	Philips	2322 211 13102
R1619	Resistor 12kohm \pm 5%	Philips	2322 211 13123
R1620	Resistor 1.8kohm \pm 5%	Philips	2322 211 13182
R1621	Resistor 470 ohm \pm 5%	Philips	2322 211 13471
R1622	Resistor 4.7kohm \pm 5%	Philips	2322 211 13472
R1623	Resistor 3.9kohm	Philips	2322 211 13392
R1624	Resistor 470 ohm \pm 5%	Philips	2322 211 13471
R1625	Preset pot. meter cermet 2.2kohm \pm 20%	Philips	2322 482 20222
R1626	Resistor 2.2kohm \pm 5%	Philips	2322 211 13222
R1627	Resistor 2.2kohm \pm 5%	Philips	2322 211 13222
R1628	Resistor 10kohm \pm 5%	Philips	2322 211 13103
R1629	Resistor 27kohm \pm 5%	Philips	2322 211 13273
R1630	Resistor 47 ohm \pm 5%	Philips	2322 211 13479
R1631	Preset pot. meter cermet 100 ohm \pm 20%	Philips	2322 482 20101
R1632	Resistor 220 ohm \pm 5%	Philips	2322 211 13221
R1633	Resistor 1kohm \pm 5%	Philips	2322 211 13102
R1634	Resistor 8.2kohm \pm 5%	Philips	2322 211 13822
R1635	Resistor 680 ohm \pm 5%	Philips	2322 211 13681
R1636	Resistor 100 ohm \pm 5%	Philips	2322 211 13101
R1637	Resistor 5.6kohm \pm 5%	Philips	2322 211 13562
R1638	Resistor 22kohm \pm 5%	Philips	2322 211 13223
R1639	Resistor 330 ohm \pm 5%	Philips	2322 211 13331
R1640	Resistor 100 ohm \pm 5%	Philips	2322 211 13101
R1641	Resistor 47 ohm \pm 5%	Philips	2322 211 13279

b		MIXER UNIT S1300			2/3	
Symbol	Description			Manufact.		
R1642	Resistor	220 ohm \pm 5%	0.33W	Philips	2322	211 13221
R1643	Resistor	33 ohm \pm 5%	0.33W	Philips	2322	211 13339
R1644	Resistor	180 ohm \pm 5%	0.33W	Philips	2322	211 13181
R1645	Resistor	22 ohm \pm 5%	0.33W	Philips	2322	211 13229
R1646	Resistor	180 ohm \pm 5%	0.33W	Philips	2322	211 13181
R1647	Resistor	560 ohm \pm 5%	0.33W	Philips	2322	211 13561
	In exciters with 3 pos. power switch only:					
R1619	Resistor	12kohm \pm 5%		Philips	2322	211 13123
C1601	Capacitor, tantalum	10uF-20/+50%	25V	Ero	ETP 3F	
C1602	Capacitor, polyester	47nF \pm 20%	250V	Philips	2222	344 40473
C1603	Capacitor, tantalum	10uF-20/+50%	25V	Ero	ETP 3F	
C1604	Capacitor, polyester	47nF \pm 20%	250V	Philips	2222	344 40473
C1605	Capacitor, polyester	22nF \pm 20%	400V	Philips	2222	344 54223
C1606	Capacitor, polyester	47nF \pm 20%	250V	Philips	2222	344 40473
C1607	Capacitor, polyester	22nF \pm 20%	400V	Philips	2222	344 54223
C1608	Capacitor polystyrene	2.2nF \pm 5%	160V	Philips	2222	425 22202
C1609	Capacitor, polyester	22nF \pm 20%	400V	Philips	2222	344 54223
C1610	Capacitor, polyester	47nF \pm 20%	250V	Philips	2222	344 40473
C1611	Capacitor, polyester	47nF \pm 20%	250V	Philips	2222	344 40473
C1612	Capacitor, polyester	22nF \pm 20%	400V	Philips	2222	344 54223
C1613	Capacitor, ceramic	12pF \pm 5%	400V	Ferroperm	9/0112.9	
C1614	Capacitor, ceramic	15pF \pm 5%	400V	Ferroperm	9/0112.9	
C1615	Capacitor, polystyrene	270pF \pm 2%	630V	Philips	2222	427 32701
C1616	Capacitor, polystyrene	680pF \pm 2%	250V	Philips	2222	426 36801
C1617	Capacitor, polyester	22nF \pm 20%	400V	Philips	2222	344 54223
C1618	Capacitor, ceramic	22pF \pm 10%	400V	Ferroperm	9/0112.9	
C1619	Capacitor, polyester	22nF \pm 20%	400V	Philips	2222	344 54223
C1620	Capacitor, polystyrene	330pF \pm 2%	630V	Philips	2222	426 36801
C1621	Capacitor, polystyrene	820pF \pm 2%	630V	Philips	2222	426 38201
C1622	Capacitor, polystyrene	180pF \pm 2%	630V	Philips	2222	427 31801
C1623	Capacitor, polystyrene	1.5nF \pm 2%	160V	Philips	2222	425 31502
C1624	Capacitor, polyester	100nF \pm 20%	100V	Philips	2222	344 24104
C1625	Capacitor, polyester	100nF \pm 20%	100V	Philips	2222	344 24104
C1626	Capacitor, polyester	100nF \pm 20%	100V	Philips	2222	344 24104
C1627	Capacitor, polyester	100nF \pm 20%	100V	Philips	2222	344 24104
C1628	Capacitor, polyester	100nF \pm 20%	100V	Philips	2222	344 24104

MIXER UNIT S1300

Symbol	Description	Manufact.	
C1629	Capacitor, polyester 100nF \pm 20% 100V	Philips	2222 3/4 2/10 ⁴
L1601	Coil	S.P.	TL 264
L1602	Coil	S.P.	TL 265
L1603	Coil	S.P.	TL 254
L1604	Coil	S.P.	TL 255
TR1601	W.B. Trafo	S.P.	TL 266
TR1602	W.B. Trafo	S.P.	TL 256
T1601	Transistor	Philips	BF 199
T1602	Transistor	Philips	BF 494
T1603	Transistor	Philips	BF 494
T1604	Transistor	Philips	BF 494
T1605	Transistor	Philips	BF 199
T1606	Transistor	Philips	BFW 17A
D1601	Diode, silicon	Philips	BAV 21
D1602	Diode, silicon	Philips	BAV 21
FL1601	Crystal filter 10.697 MHz	S.P.	C1012
M1601	Mixer, double balanced	S.P.	C1007

b		MAIN CHASSIS S1300		1/1
Symbol	Description	Manufact.		
LA1701	Diode, light emitting	Xciton		XC 5053Y
LA1702	Diode, light emitting	Xciton		XC 5053Y
LA1703	Diode, light emitting	Xciton		XC 5053Y
IC1701	Voltage regulator	National		LM317T
IC1702	Voltage regulator	Motorola		MC7805CT
S1701	Switch	Cherry		E62 10HS PDT
S1702	Switch	C&K		7103 SYZQ
J1701	Socket	Hirschmann		Meb 60 H-DK
J1702	Coax-socket	K.V.Hansen		SO 239
P1701	Plug	Hirschmann		Mes 60 BZ
P1702	Plug	Molex		03-06-2364
MC1701	Microphone cartridge		50 ohm	GNT AN1-52001
TC1701	Telephone cartridge		200 ohm	Holmco 6890 350A3
R1701	Resistor 33 ohm \pm 5%		10W	Danotherm HS 10
IC1703	Voltage regulator	Motorola		MC 7805CT
S1703	Switch	GEFE		C4.5KST1
S1704	Switch	GEFE		C4.5KST1 (spec.)
S1705	Switch	GEFE		C4.5KST1
S1706	Switch	GEFE		C4.5KST1
S1707	Switch	GEFE		C4.5KST1
S1708	Switch	GEFE		C4.5KST1

b		A2H - OSCILLATOR & DELAY UNIT S1300			1/2	
Symbol	Description			Manufact.		
R1801	Resistor	1kohm	$\pm 5\%$	0.33W	Philips	2322 211 13102
R1802	Resistor	100kohm	$\pm 5\%$	0.33W	Philips	2322 211 13104
R1803	Resistor	39kohm	$\pm 5\%$	0.33W	Philips	2322 211 13393
R1804	Resistor	4.7kohm	$\pm 5\%$	0.33W	Philips	2322 211 13472
R1805	Resistor	33kohm	$\pm 5\%$	0.33W	Philips	2322 211 13333
R1806	Preset pot.meter	1kohm	$\pm 20\%$	0.5W	Philips	2322 482 20102
R1807	Resistor	1kohm	$\pm 5\%$	0.33W	Philips	2322 211 13102
R1808	Resistor	2.2kohm	$\pm 5\%$	0.33W	Philips	2322 211 13222
R1809	Resistor	56kohm	$\pm 5\%$	0.33W	Philips	2322 211 13563
R1810	Resistor	120kohm	$\pm 5\%$	0.33W	Philips	2322 211 13124
R1811	Resistor	10kohm	$\pm 5\%$	0.33W	Philips	2322 211 13103
R1812	Resistor	3.9kohm	$\pm 5\%$	0.33W	Philips	2322 211 13392
R1813	Resistor	10kohm	$\pm 5\%$	0.33W	Philips	2322 211 13103
R1814	Resistor	56kohm	$\pm 5\%$	0.33W	Philips	2322 211 13563
R1815	Resistor	10kohm	$\pm 5\%$	0.33W	Philips	2322 211 13103
R1816	Resistor	10kohm	$\pm 5\%$	0.33W	Philips	2322 211 13103
R1817	Resistor	3.9kohm	$\pm 5\%$	0.33W	Philips	2322 211 13392
R1818	Resistor	56kohm	$\pm 5\%$	0.33W	Philips	2322 211 13563
R1819	Preset pot.meter	100kohm	$\pm 20\%$	0.5W	Philips	2322 482 20104
R1820	Resistor	56kohm	$\pm 5\%$	0.33W	Philips	2322 211 13563
R1821	Resistor	3.9kohm	$\pm 5\%$	0.33W	Philips	2322 211 13392
R1822	Resistor	10kohm	$\pm 5\%$	0.33W	Philips	2322 211 13103
R1823	Resistor	10kohm	$\pm 5\%$	0.33W	Philips	2322 211 13103
R1824	Resistor	56kohm	$\pm 5\%$	0.33W	Philips	2322 211 13563
R1825	Resistor	10kohm	$\pm 5\%$	0.33W	Philips	2322 211 13103
R1826	Resistor	10kohm	$\pm 5\%$	0.33W	Philips	2322 211 13103
R1827	Resistor	3.9kohm	$\pm 5\%$	0.33W	Philips	2322 211 13392
C1801	Capacitor tantalum	10uF	-20/+50%	25V	Ero	ETP 3F
C1802	Capacitor tantalum	10uF	-20/+50%	25V	Ero	ETP 3F
C1803	Capacitor tantalum	4.7uF	-20/+50%	35V	Ero	ETP 2E
C1804	Capacitor polystyrene	56nF	$\pm 1\%$	63V	Philips	2222 444 45603
C1805	Capacitor tantalum	4.7uF	-20/+50%	35V	Ero	ETP 2E
C1806	Capacitor tantalum	4.7uF	-20/+50%	35V	Ero	ETP 2E
C1807	Capacitor polyester	100nF	$\pm 10\%$	100V	Philips	2222 344 25104
C1808	Capacitor polyester	220nF	$\pm 10\%$	400V	Philips	2222 344 25224
C1809	Capacitor polyester	220nF	$\pm 10\%$	100V	Philips	2222 344 25224
C1810	Capacitor polyester	10nF	$\pm 20\%$	400V	Philips	2222 344 54103

a

A2H - OSCILLATOR & DELAY UNIT S1300

2/2

Symbol	Description	Manufact.	
L1801	Coil	S.P.	TL 267
D1801	Diode, silicon	Philips	BAV 21
D1802	Diode, silicon	Philips	BAV 21
D1803	Diode, silicon	Philips	BAV 21
D1804	Diode, silicon	Philips	BAV 21
D1805	Diode, silicon	Philips	BAV 21
D1806	Diode, silicon	Philips	BAV 21
T1801	Transistor	Philips	BC 548
T1802	Transistor	Philips	BC 548
T1803	Transistor	Philips	BC 548
T1804	Transistor	Philips	BC 548
T1805	Transistor	Philips	BC 558
T1806	Transistor	Philips	BC 548
T1807	Transistor	Philips	BC 548
T1808	Transistor	Philips	BA 548
T1809	Transistor	Philips	BC 558
RE1801	Relay	Siemens	V23100-V4024-A001

a		POWER SWITCH S1301		1/1	
Symbol	Description			Manufact.	
R2001	Resistor	33kohm \pm 5%	0.33W	Philips	2322 211 13333
R2002	Resistor	10kohm \pm 5%	0.33W	Philips	2322 211 13103
R2003	Resistor	3.6kohm \pm 5%	0.33W	Philips	2322 211 13362
S2001	Switch			Jeanrenaud	RBP 12 FA.2.5.NCC
S2002	Switch			Jeanrenaud	RBP 12 FA.4.2.NCC

FREQUENCY SELECTOR S1301

1/1

Symbol	Description	Manufact.	
R101	Resistor 47 ohm \pm 5% 4W	Philips	2322 330 22479
R102	Resistor 10kohm \pm 5% 0.33W	Philips	2322 211 13103
R2103	Resistor 10kohm \pm 5% 0.33W	Philips	2322 211 13103
R104	Resistor 4.7kohm \pm 5% 0.33W	Philips	2322 211 13472
R2105	Resistor 1kohm \pm 5% 0.5W	Philips	2322 212 13102
R2106	Resistor 2.2kohm \pm 5% 0.33W	Philips	2322 211 13222
RA2101	Resistor array 8x10 kohm \pm 5% 0.125W	ITT	VR8, 10kohm 5%
R2102	Resistor array 8x10 kohm \pm 5% 0.125W	ITT	VR8, 10kohm 5%
R2103	Resistor array 8x10 kohm \pm 5% 0.125W	ITT	VR8, 10kohm 5%
C2101	Capacitor, electrolytic 10uF-10/+100%40V	Siemens	B41313-A7106-V
C2102	Capacitor, polyester 220nF \pm 20% 100V	Philips	2222 344 24224
C2103	Capacitor, polyester 100nF \pm 20% 100V	Philips	2222 344 24104
C2104	Capacitor, polyester 100nF \pm 20% 100V	Philips	2222 344 24104
C2105	Capacitor, polyester 100nF \pm 20% 100V	Philips	2222 344 24104
T2101	Transistor	Philips	BC 548
IC2101	Integrated circuit	Motorola	GMM 7643
IC2102	Integrated circuit	Texas	74LS27
IC2103	Integrated circuit	Texas	7407
IC2104	Integrated circuit	Texas	74LS09
IC2105	Integrated circuit	Texas	74LS09
IC2106	Integrated circuit	Texas	74LS09
IC2107	Integrated circuit	Texas	74LS09

A S1301, S1300/TT, T; R1117

CIRCUIT DESCRIPTIONS AND SCHEMATIC DIAGRAMS

CIRCUIT DESCRIPTION FOR DIVIDER UNIT S1300 & R1117

This unit contains the logic part of phase locked LOOP 1 and phase locked LOOP 2.

The 10 MHz reference oscillator (TCXO), reference divider, 2 MHz spectrum generator, 600 kHz carrier generator, programmable dividers for LOOP 1 and LOOP 2 and the phase/frequency detectors for LOOP 1 and LOOP 2.

10 MHz REFERENCE

The frequency stability of the exciter is related to the 10 MHz TCXO X0101. The 10 MHz reference signal is amplified in the transistors T103 and T104.

REFERENCE DIVIDER

The counters IC115, IC111 and IC107 divides the 10 MHz reference signal down to respectively $f_{R1} = 1$ kHz and $f_{R2} = 100$ Hz.

2 MHz HARMONIC SPECTRUM GENERATOR

With a repetition frequency of 2 MHz the output Q_D of IC115 goes low and the NAND-gates in IC114 will generate a narrow pulse due to the delay-time in the gates.

600 kHz GENERATOR

The output on IC111 pin 5, Q_B has a high contents of 600 kHz, which is amplified in the transistor T105 and filter in the tuned circuit L101, C136 and C137.

PROGRAMMABLE DIVIDER FOR LOOP 1

The variable frequency f_{T1} from LOOP 1 MIXER is amplified and shaped in T101 and IC109a. Independent of which 2 MHz band used the frequency f_{T1} will vary from 2699 kHz to 4698 kHz as the VCO varies 2 MHz. The programmable divider divides f_{T1} down to 1 kHz (dividing figure N_1). This means that there is 2000 frequencies in each 2 MHz band. The frequency is controlled by the FREQUENCY SELECTOR, which encodes the start figure P_1 into the BCD counters IC101, IC102, IC103 and IC104.

The stop figure S_1 is controlled from the gates IC108b and IC109c. When the counter outputs Q_A , Q_B ... etc. equals the stop figure $S_1 + 2$ the J-K flip-flop IC110b uses 2 clock pulses to load the start figure P_1 into the counters IC101, IC102, IC103 and IC104. The counter counts down from the start figure P_1 to stop figure S_1 and thus the dividing figure $N_1 = P_1 - S_1$.

LOOP 1 PHASE/FREQUENCY DETECTOR

The reference frequency $f_{R1} = 1$ kHz and the variable frequency $f_{V1} = 1$ kHz are fed into the phase/frequency detector IC106. The phase/frequency detector IC106 generates an error voltage, which is proportional to frequency or

CIRCUIT DESCRIPTION LOOP 1 FILTER & $\pm 18V$ SUPPLY UNIT S1300 & R1117

This unit contains two regulated power supplies $+18V$ with fold-back current limiter, the complete integrator and filter for LOOP 1.

-18V SUPPLY

The series transistor T201 supplies a $-18V$ output controlled by the current flow into its base from T202, where a portion of the output voltage, via a voltage divider containing R209, is compared to a reference voltage created by R204, D202 and D201. The fold-back is within the circuit. When the output current from the regulator increases the base current must increase too, but this current is limited by R204. When the regulator reaches this limit T205 stops conducting and so it folds back. To ensure that T201 starts conducting R203 is added.

+18V SUPPLY

The principle of operation for this regulator is exactly as described above, with an additional current limiter containing T204 and T206 to ensure the fold-back characteristic is maintained within design limits. To ensure start-up R212 is added.

INTEGRATOR & LOOP 1 FILTER

The integrator is built-up around IC202, the integration capacitor is C211. R220 feeds current into the diode coupled Darlington pair in the phase comparator MC4044 on the divider board to perform the 1.5V reference. Output from the integrator pin 6 on IC202 feeds into the active low-pass filter IC201 to filter out the 1 kHz ripple from the phase comparator. The voltage divider R217 and R218 connected to IC202 via D206 ensure that the output voltage swing is within approx. $-4V$ to $-17V$.

TEST CONDITIONS

Frequency selector : 1A ($f = 2.0005$ MHz)
Oscilloscope input : Passive probe 10 Mohm/11 pF
DC voltmeter input : 10 Mohm

⊙ : Diode probe measurements

TP : Testpoints

All voltage statements are typical

A1/2 S1301, S1300/TT, T; R1117

phase difference between the two signals mentioned above. This error voltage is fed into the integrator on the LOOP 1 FILTER & \pm 18V SUPPLY UNIT.

PROGRAMMABLE DIVIDER FOR LOOP 2

The variable frequency f_{T2} from the loop 2 mixer is amplified and shaped in T102 and IC109b. The frequency f_{T2} will vary between 98.1 kHz and 99.0 kHz depending on the 100 Hz programming. The programmable divider divides f_{T1} down to 100 Hz (dividing figure N_2).

From the FREQUENCY SELECTOR the start figure P_2 encodes into the BCD counter IC105.

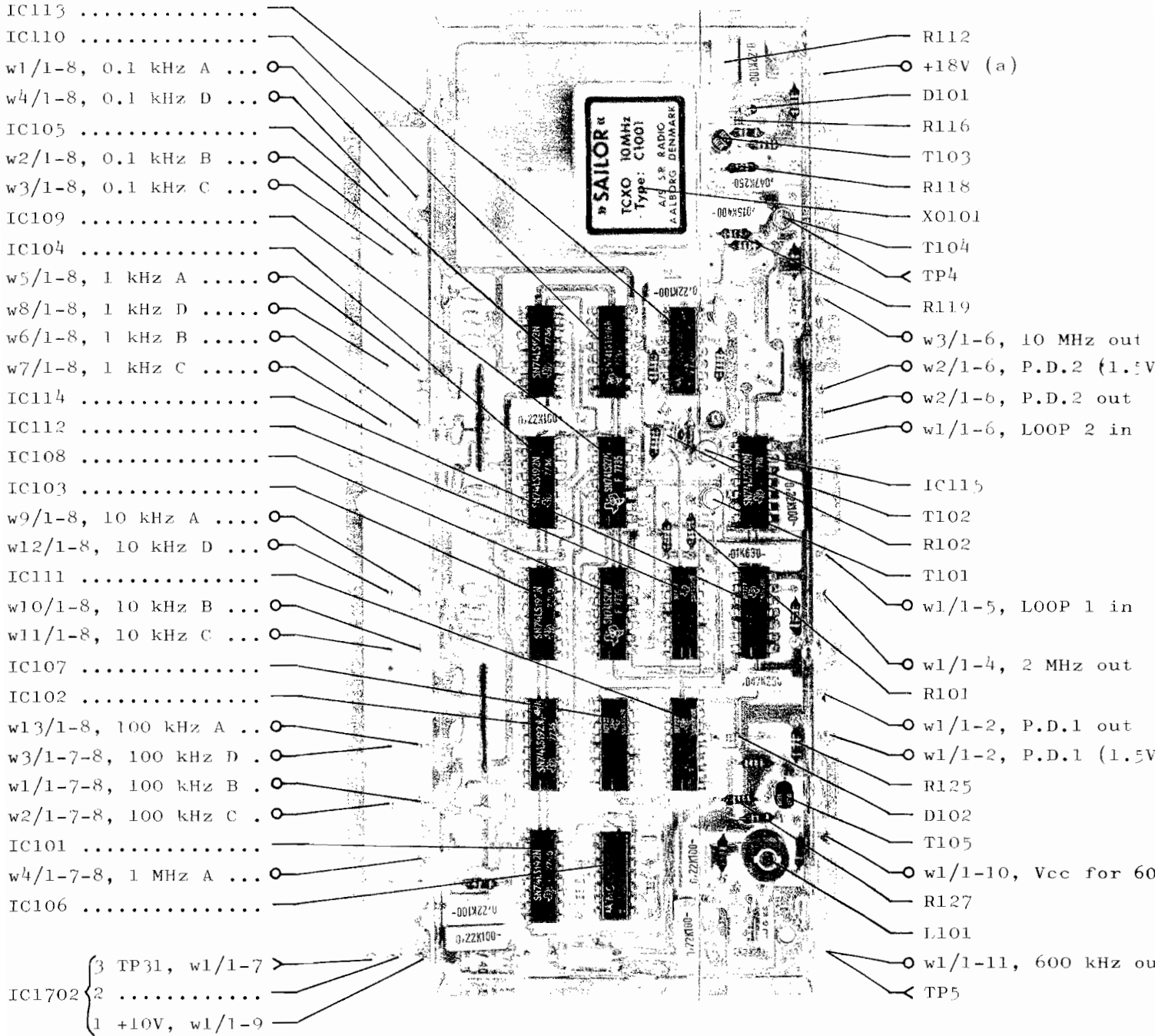
The stop figure S_2 is controlled from the gate IC108a. When the counter outputs $Q_A, Q_B, Q_C \dots$ etc. equals the stop figure $S_2 - 2$ the J-K flip-flop IC110a uses 2 clock pulses to load the start figure P_2 into the counters IC105 and IC112. The counter will count up from the start figure P_2 to the stop figure S_2 and thus the dividing figure is $N_2 = S_2 - P_2$.

LOOP 2 PHASE/FREQUENCY DETECTOR

The reference frequency $f_{R2} = 100$ Hz and the variable frequency $f_{V1} = 100$ Hz, are fed into the phase/frequency detector IC113. The phase/frequency detector IC113 generates an error voltage proportional to the frequency or the phase difference between the two signals mentioned above. This error voltage is fed into the integrator on the VCXO & LOOP 2 FILTER UNIT.

TEST CONDITIONS

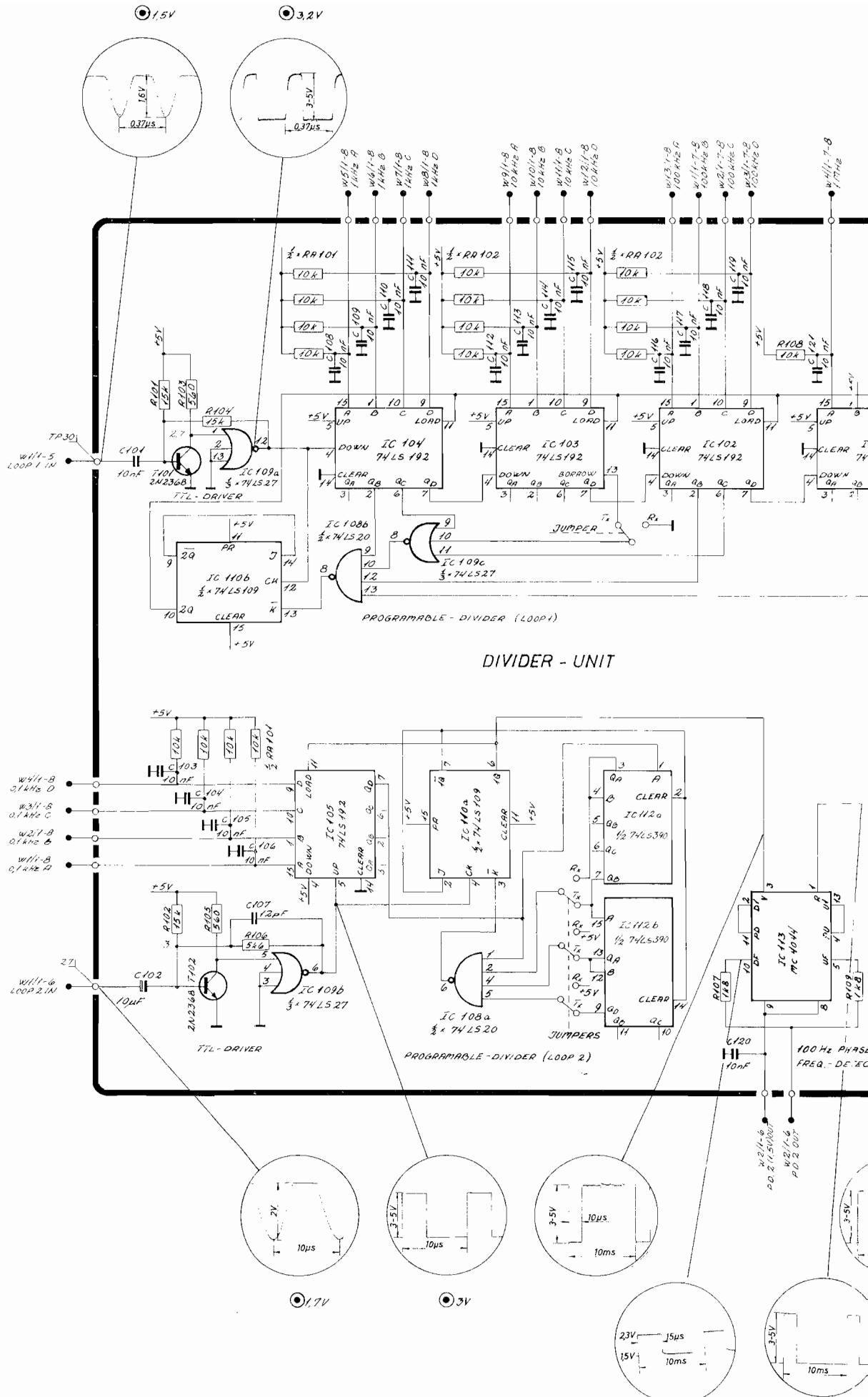
Frequency selector : 1A ($f = 2.0005$ MHz)
Mode : A3J
KEY : ON
Oscilloscope input : Passive probe 10 Mohm/11pF
DC voltmeter input : 10 Mohm
⊙ : Diode probe measurements
TP : Testpoints
All voltage statements are typical



10 MHz out
 P.D.2 (1.5V) out
 P.D.2 out
 LOOP 2 in

LOOP 1 in
 2 MHz out
 P.D.1 out
 P.D.1 (1.5V) out

Vcc for 600kHz
 600 kHz out

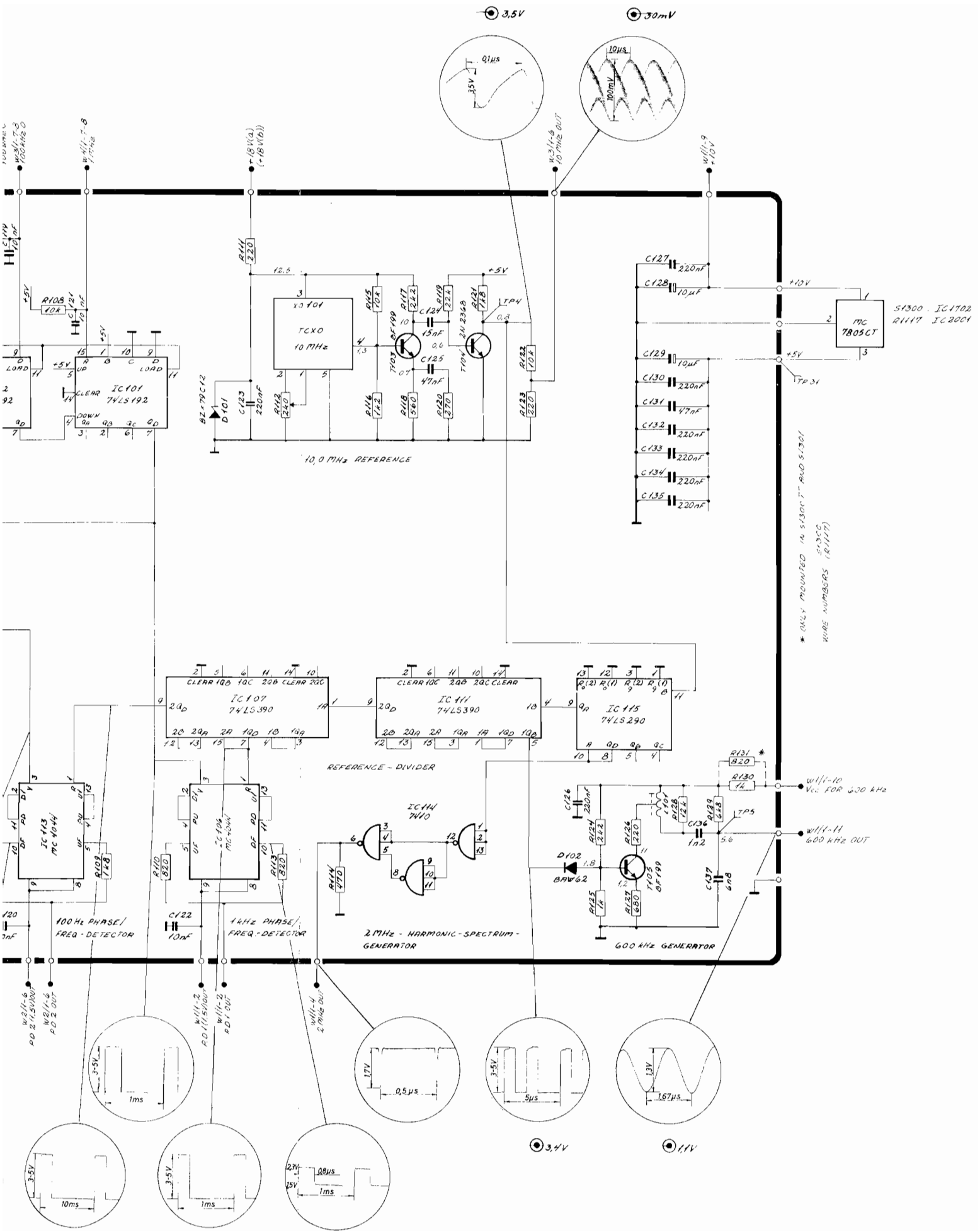


1)

2)

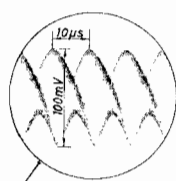
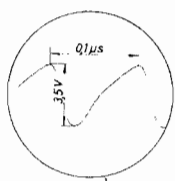
3)

4)



3.5V

30mV



51300 IC1702
R1117 IC2001

* ONLY MOUNTED IN 51300T AND 51301
51300
51301
WIRE NUMBERS (R1117)

10.0 MHz REFERENCE

REFERENCE - DIVIDER

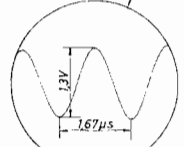
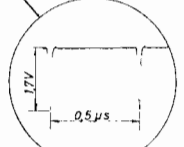
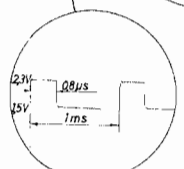
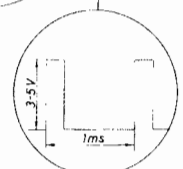
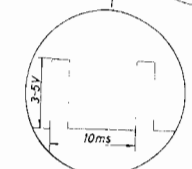
IC111
74LS390

2 MHz - HARMONIC - SPECTRUM - GENERATOR

600 kHz GENERATOR

100 Hz PHASE / FREQ - DETECTOR

1 kHz PHASE / FREQ - DETECTOR

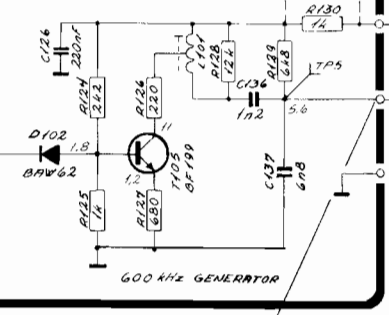
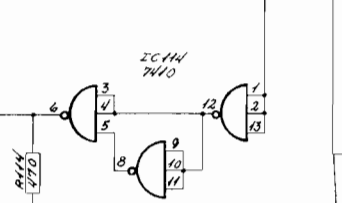
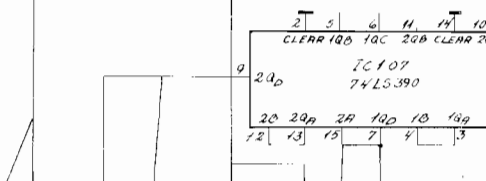
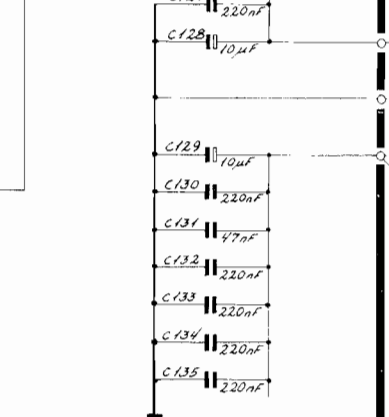
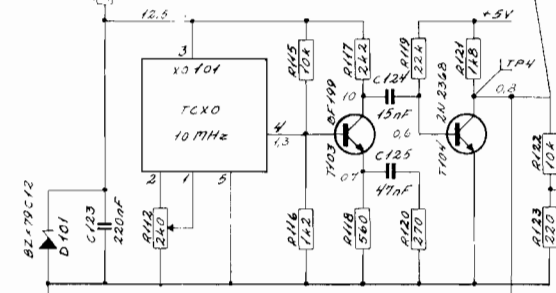
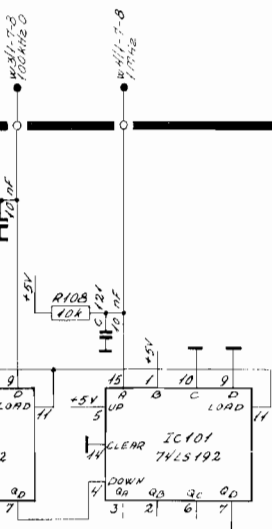


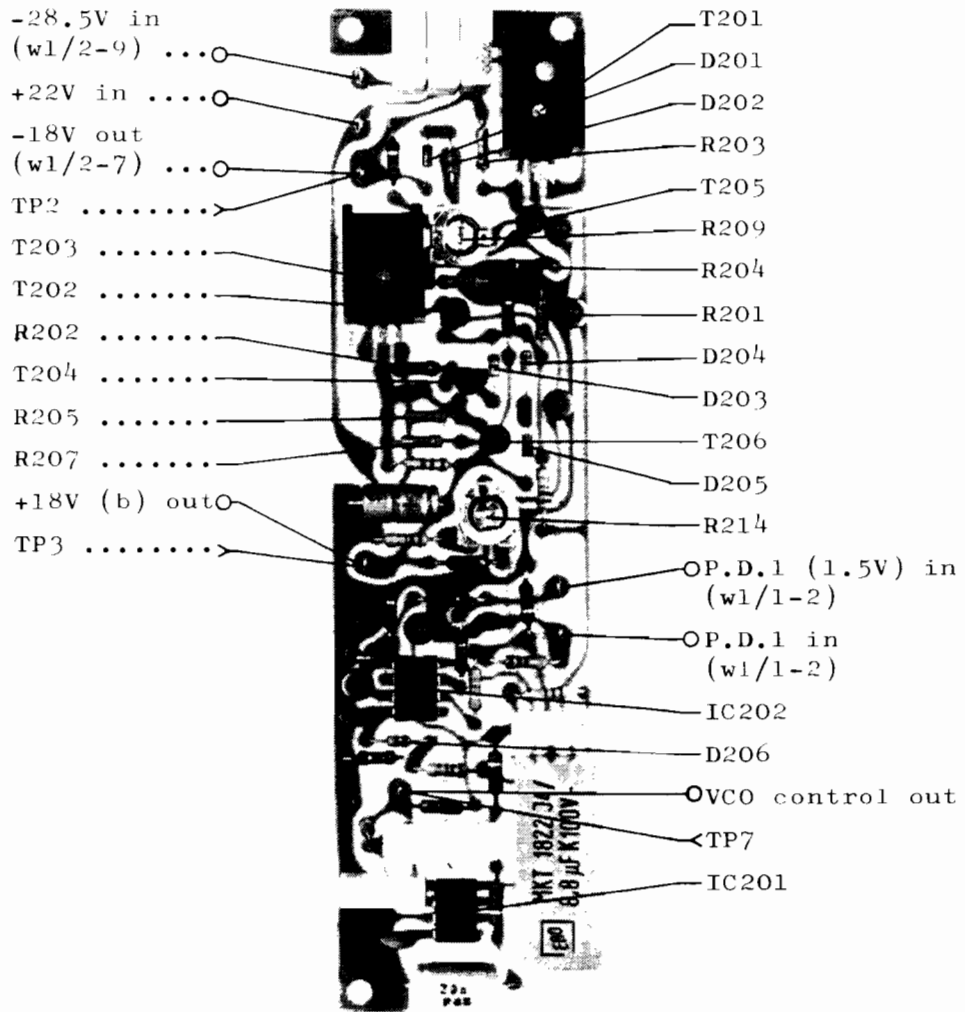
3.4V

1.1V

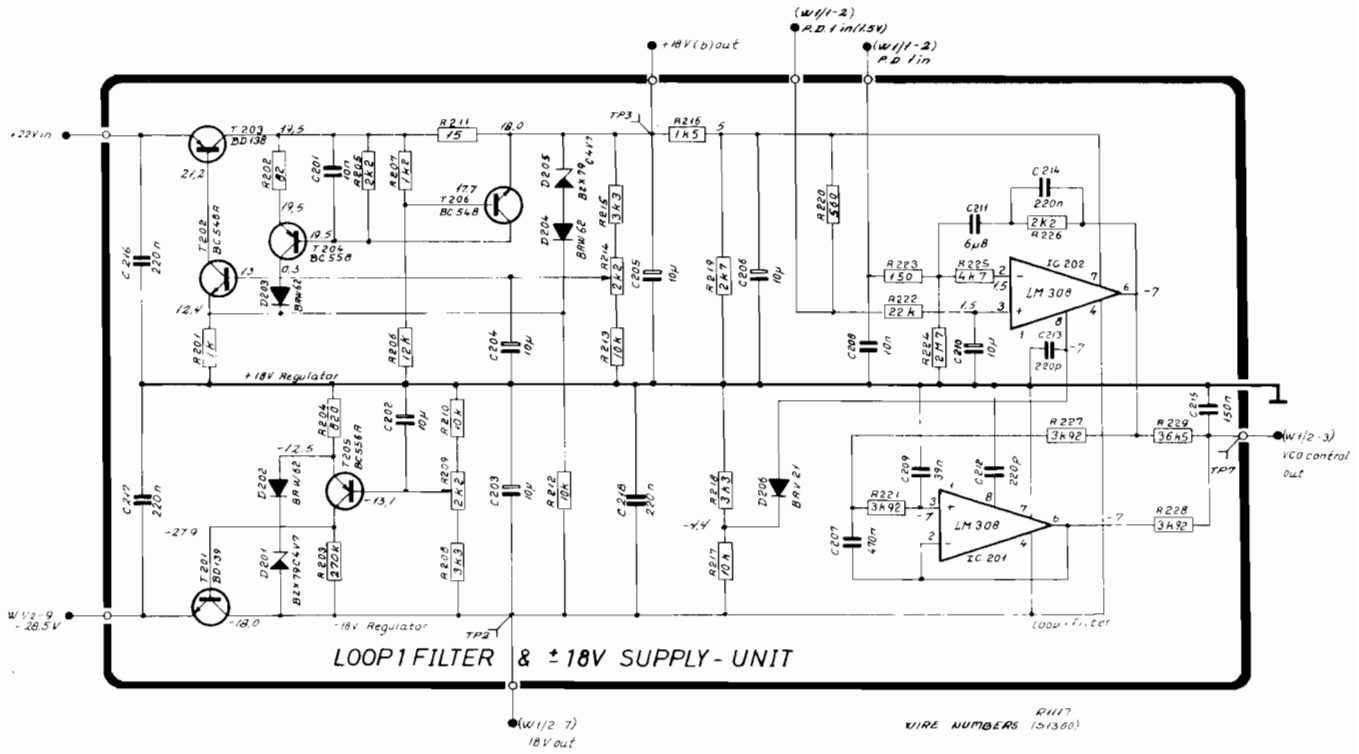
W11-10
Vcc FOR 600 kHz

W11-11
600 kHz OUT





	51300	R1117
R203	270k Ω	150k Ω
R211	15 Ω	12 Ω



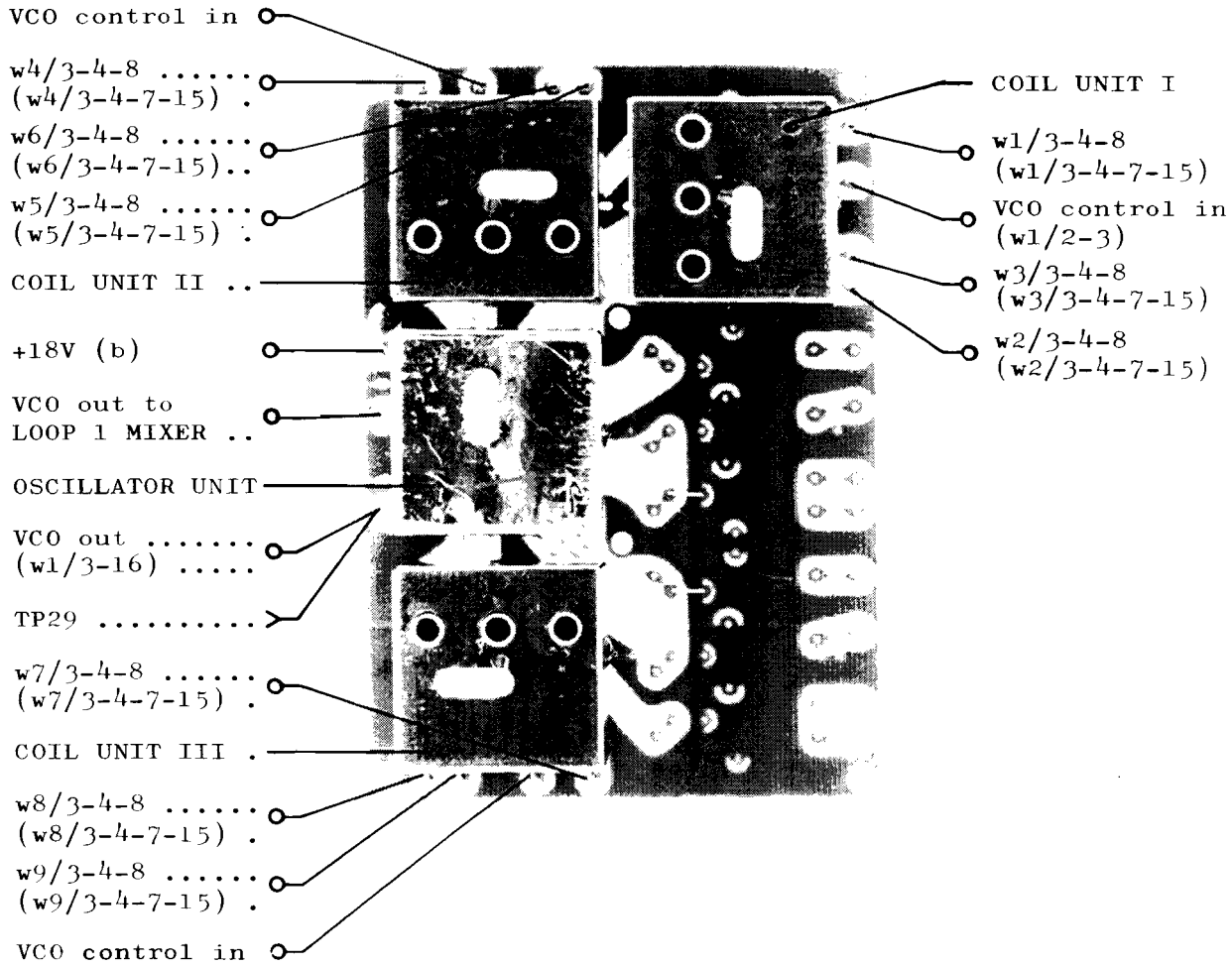
R1117
WIRE NUMBERS (51300)

B 2/2 S1301, S1300/TT, I; R1117

CIRCUIT DESCRIPTION VCO-UNIT S1300 & R1117

This unit contains in principle nine VCO's constructed in such a way that it contains one single oscillator unit and nine coil units switched in and out by the diodes D301 to D320. The oscillator circuit is made up of T301 and T302, the output signal is fed through the buffer amplifier T303. The signal current in T303 is measured by the level detector C312, R307 and D321, and via T304 it regulates the oscillator amplitude to maintain a constant output voltage.

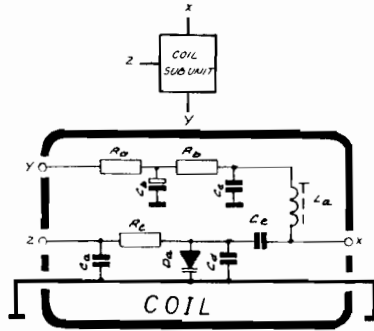
The oscillator unit is factory adjusted and sealed and cannot be repaired in the field, it must be replaced and can be repaired at the factory.



A1/2 S1301, S1300/TT, I; R1117

TEST CONDITIONS

- Frequency selector : 1A (f = 2.0005 MHz)
- Oscilloscope input : Passive probe 10 Mohm//11 pF
- DC voltmeter input : 10 Mohm
- ⊙ : Diode probe measurements
- TP : Testpoints
- All voltage statements are typical

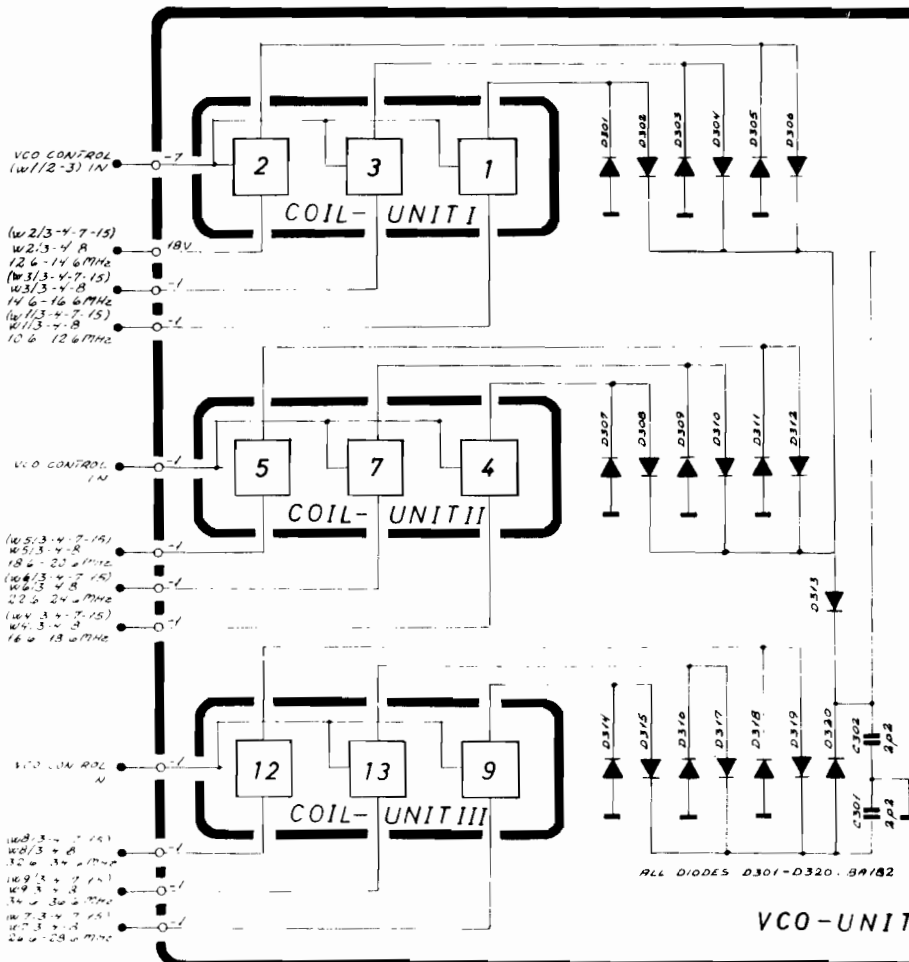


COIL UNIT	COIL	R _a (Ω)	R _b (Ω)	R _c (Ω)
I	1	R312 470	R321 47	R330 54.6
	2	R313 470	R322 47	R331 54.6
	3	R314 470	R323 47	R332 44.7
II	4	R315 470	R324 47	R333 34.9
	5	R316 470	R325 47	R334 34.3
	7	R317 470	R326 47	R335 34.3
III	9	R318 470	R327 47	R336 34.3
	12	R319 470	R328 47	R337 44.7
	13	R320 470	R329 47	R338 64.8

TABLE FOR COMPONENTS

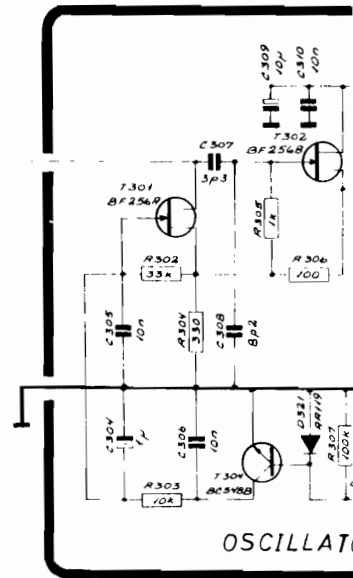
R1117
WIRE NUMBERS (S1300)

A2/2 S1301, S1300/TT,I; R1117



ALL DIODES D301-D320 .8A/82

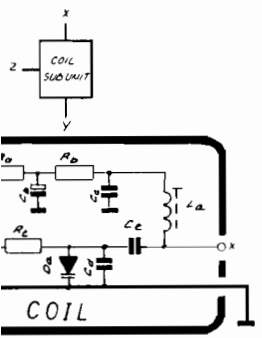
VCO-UNIT



OSCILLATOR

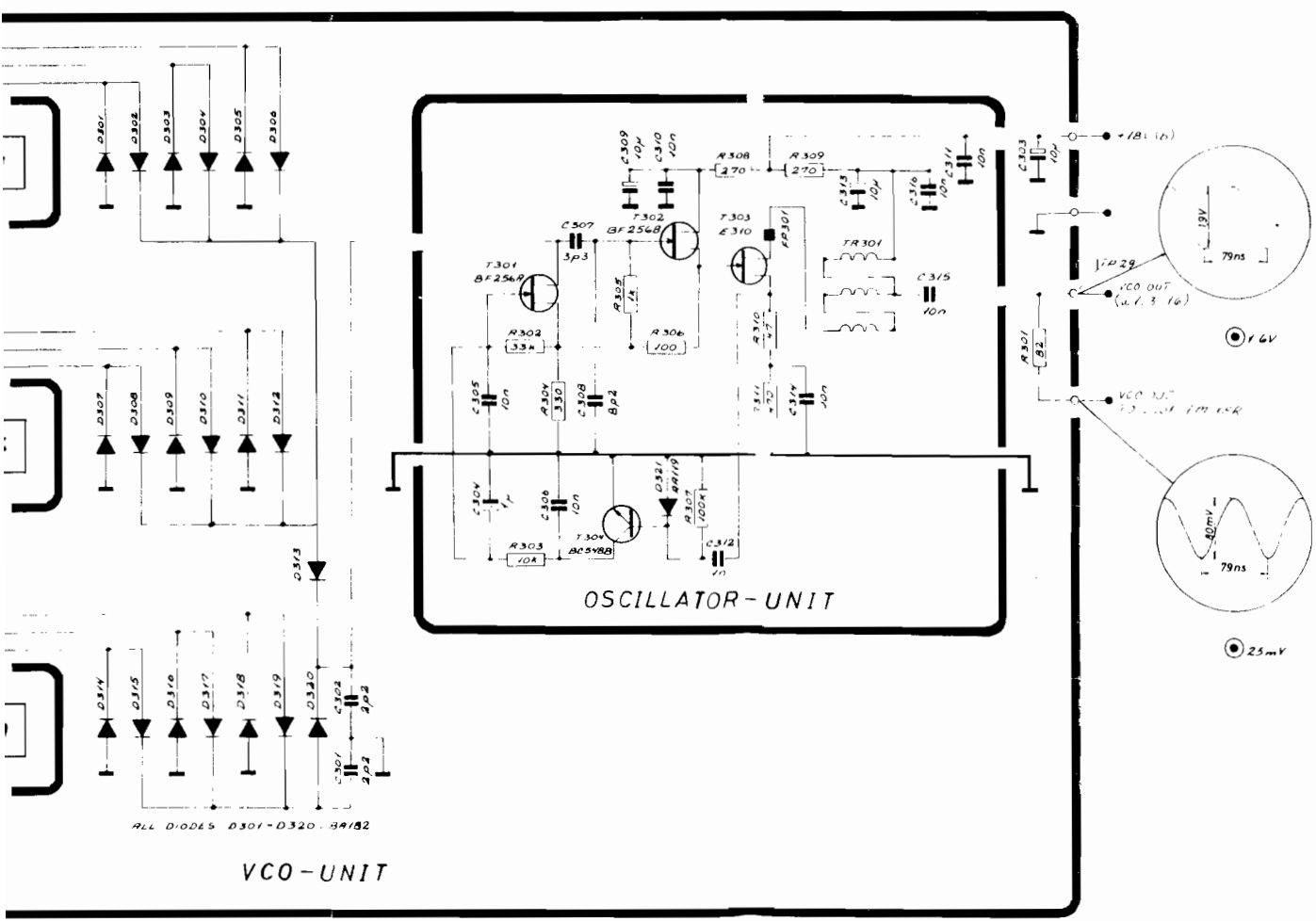
: 1A (f = 2.0005 MHz)
 : Passive probe 10 Mohm//11 pF
 : 10 Mohm

measurements
 are typical



COIL UNIT	COIL	R _a (Ω)	R _b (Ω)	R _c (Ω)	C _a (nF)	C _b (μF)	C _c (nF)	C _d (pF)	C _e (pF)	L _a	D _a
I	1	R312 470	R321 47	R330 546		C320 10μ	C329 10n	C338 120	C347 100	L208 7L208	D322 BB113
	2	R313 470	R322 47	R331 546	C317 10n	C321 10μ	C330 10n	C339 4p7	C348 100	L209 7L209	D323 BB113
	3	R314 470	R323 47	R332 4A7		C322 10μ	C331 10n	C340 8p2	C349 82	L210 7L210	D324 BB113
II	4	R315 470	R324 47	R333 3A9		C323 10μ	C332 10n	C341 10p	C350 48	L211 7L211	D325 BB113
	5	R316 470	R325 47	R334 3A3	C318 10n	C324 10μ	C333 10n	C342 8p2	C351 56	L212 7L212	D326 BB113
	7	R317 470	R326 47	R335 3A3		C325 10μ	C334 10n	C343 10p	C352 47	L213 7L213	D327 BB113
III	9	R318 470	R327 47	R336 3A3		C326 10μ	C335 10n	C344 5p6	C353 39	L214 7L214	D328 BB113
	12	R319 470	R328 47	R337 4A7	C319 10n	C327 10μ	C336 10n	C345 8p2	C354 33	L216 7L216	D329 BB113
	13	R320 470	R329 47	R338 6A8		C328 10μ	C337 10n	C346 5p6	C355 31	L215 7L215	D330 BB113

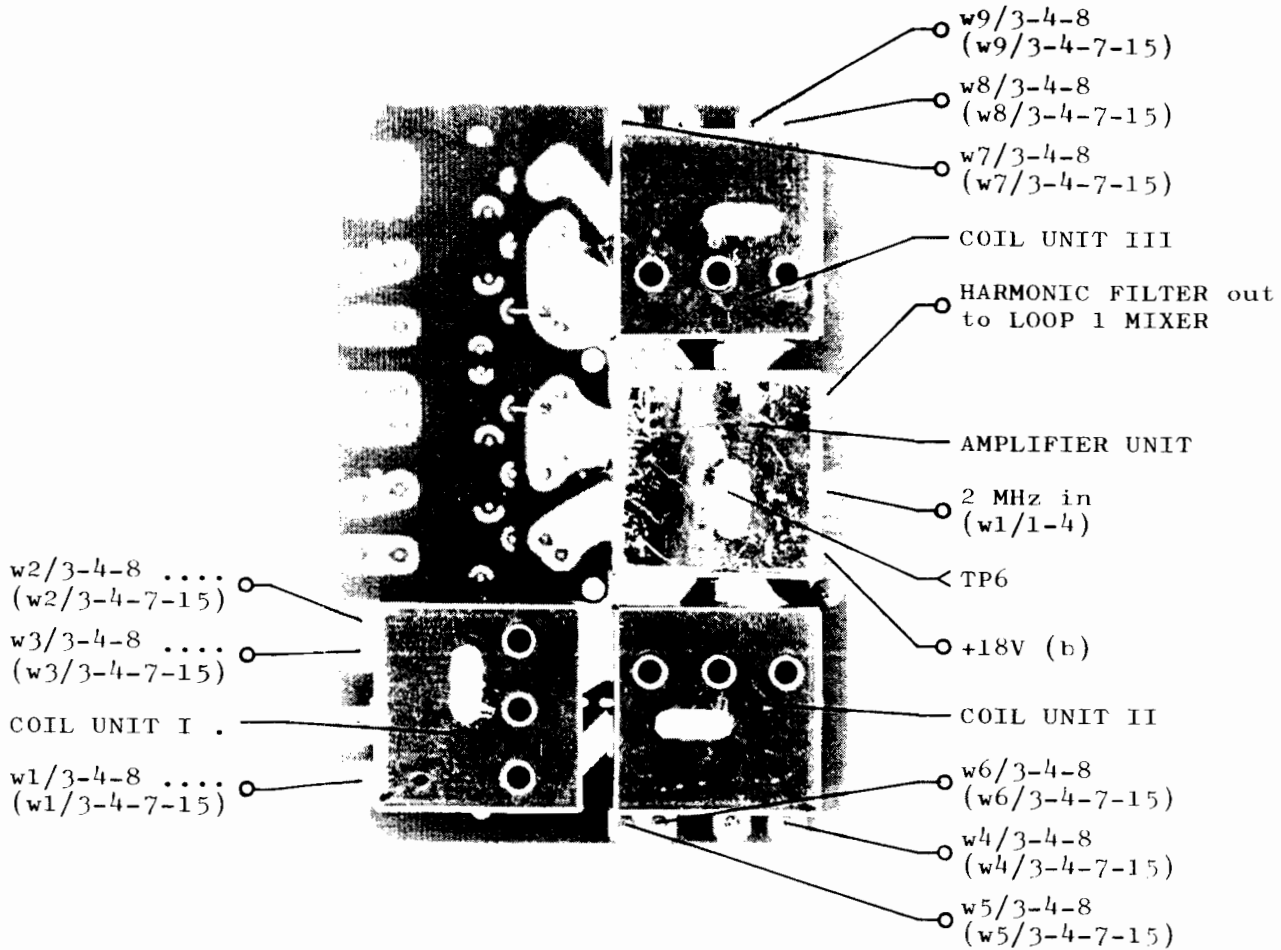
TABLE FOR COMPONENT VALUES OF COILS



CIRCUIT DESCRIPTION HARMONIC FILTER UNIT S1300 & R1117

This unit is a tuned amplifier, it receives 2 MHz impulses from the divider board and filters out the wanted harmonic with a tuned circuit. On the board there is one single amplifier and nine coil units switched in and out by the diodes D401 to D420. The tuned amplifier is T401 feeding into the source follower T402. The output voltage is measured by the level detector C411, R409 and D422 and via T403 it regulates the transconductance in T401 to maintain a constant output voltage.

The harmonic filter unit is factory adjusted and sealed and cannot be repaired in the field. It must be replaced and can be repaired at the factory.

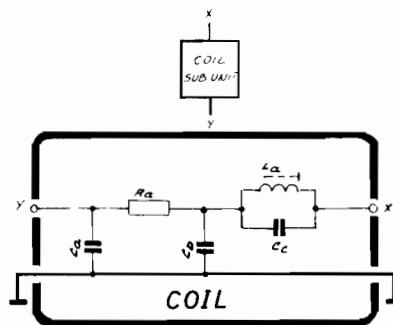


A1/2 S1301, S1300/TT, T; R1117

TEST CONDITIONS

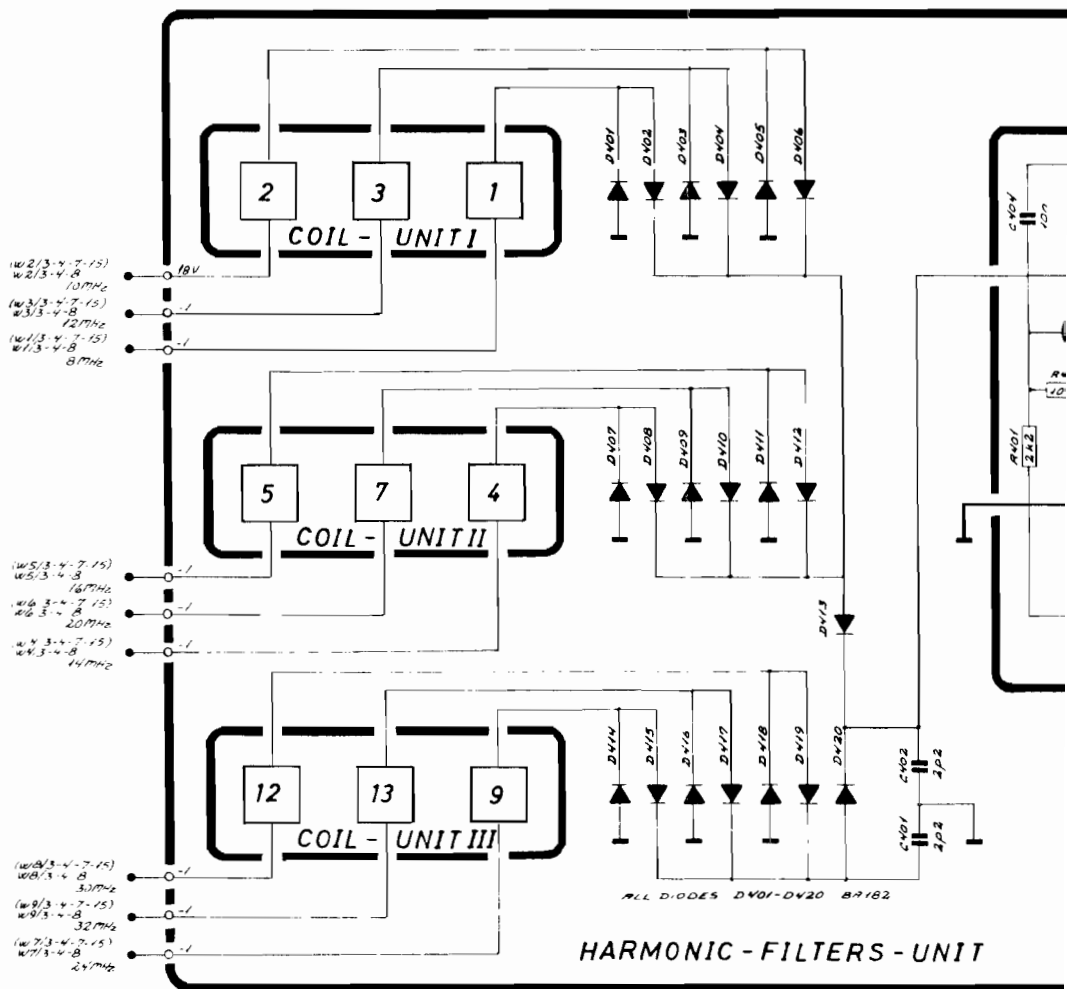
- Frequency selector : 1A (f = 2.0005 MHz)
- Oscilloscope input : Passive probe 10 Mohm//11 pF
- DC voltmeter input : 10 Mohm
- ⊙ : Diode probe measurements
- TP : Testpoints
- All voltage statements are typical

A2/2 S1301, S1300/TT,I; R1117



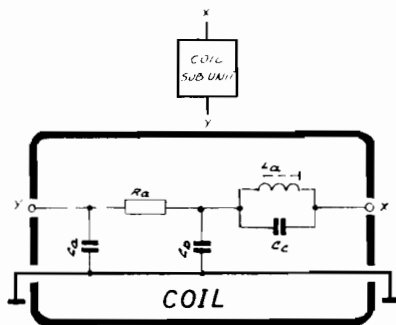
COIL UNIT
I
II
III

R1117
WIRE NUMBERS (S1300)



CONDITIONS

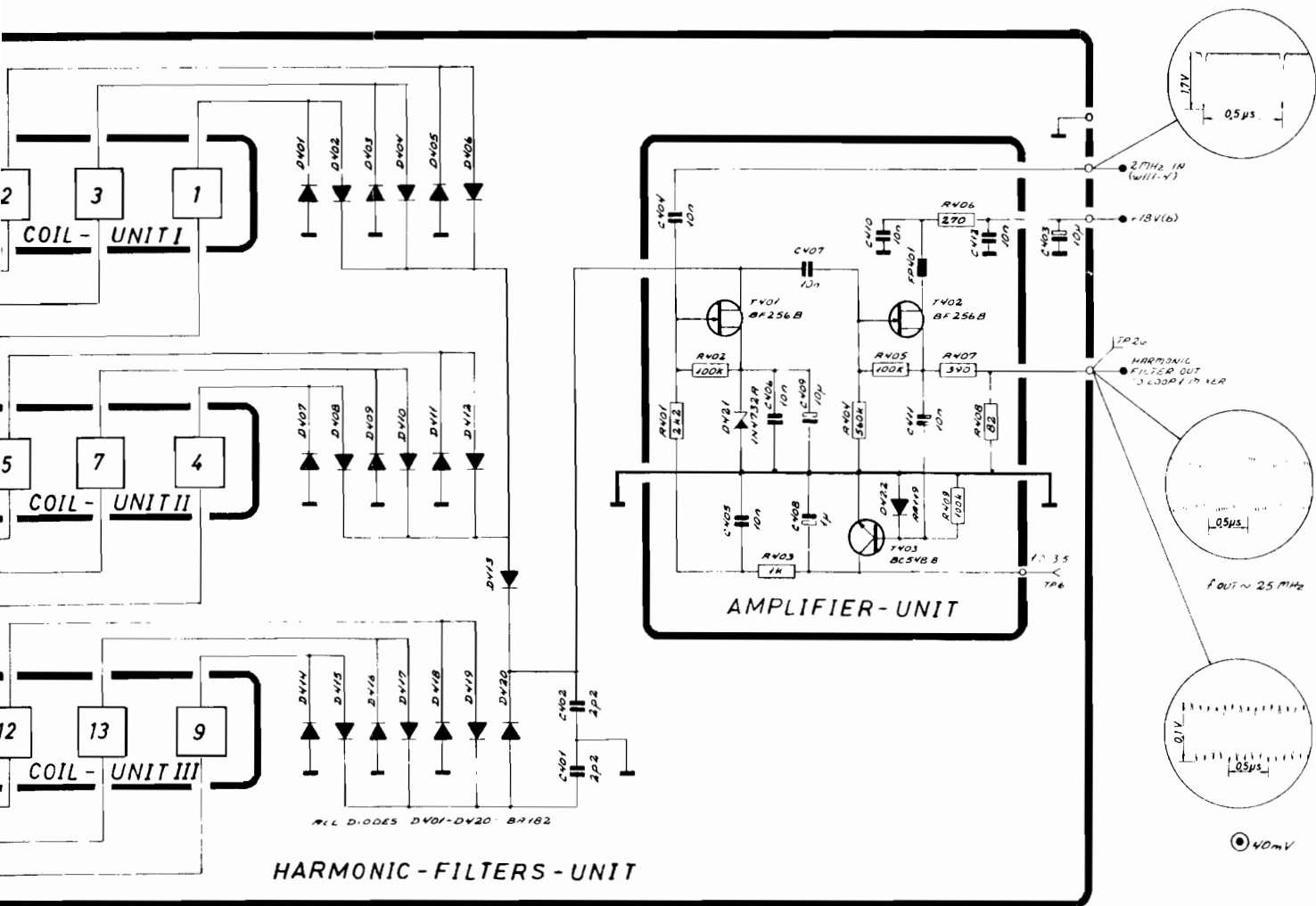
- Frequency selector : 1A ($f = 2.0005 \text{ MHz}$)
- Scope input : Passive probe 10 Mohm//11 pF
- Meter input : 10 Mohm
- Mode probe measurements
- Test points
- Waveform statements are typical



COIL UNIT	COIL	R_a (Ω)	C_a (nF)	C_b (nF)	C_c (pF)	L_a
I	1	R409 470	C413 10	C422 10	C431 300	L401 TL199
	2	R410 470	C414 10	C423 10	C432 240	L402 TL200
	3	R411 470	C415 10	C424 10	C433 220	L403 TL201
II	4	R412 470	C416 10	C425 10	C434 180	L404 TL202
	5	R413 470	C417 10	C426 10	C435 180	L405 TL203
	7	R414 470	C418 10	C427 10	C436 110	L406 TL203
III	9	R415 470	C419 10	C428 10	C437 100	L407 TL204
	12	R416 470	C420 10	C429 10	C438 82	L408 TL205
	13	R417 470	C421 10	C430 10	C439 91	L409 TL206

TABLE FOR COMPONENT VALUES OF COILS

R117
05RS (5130)



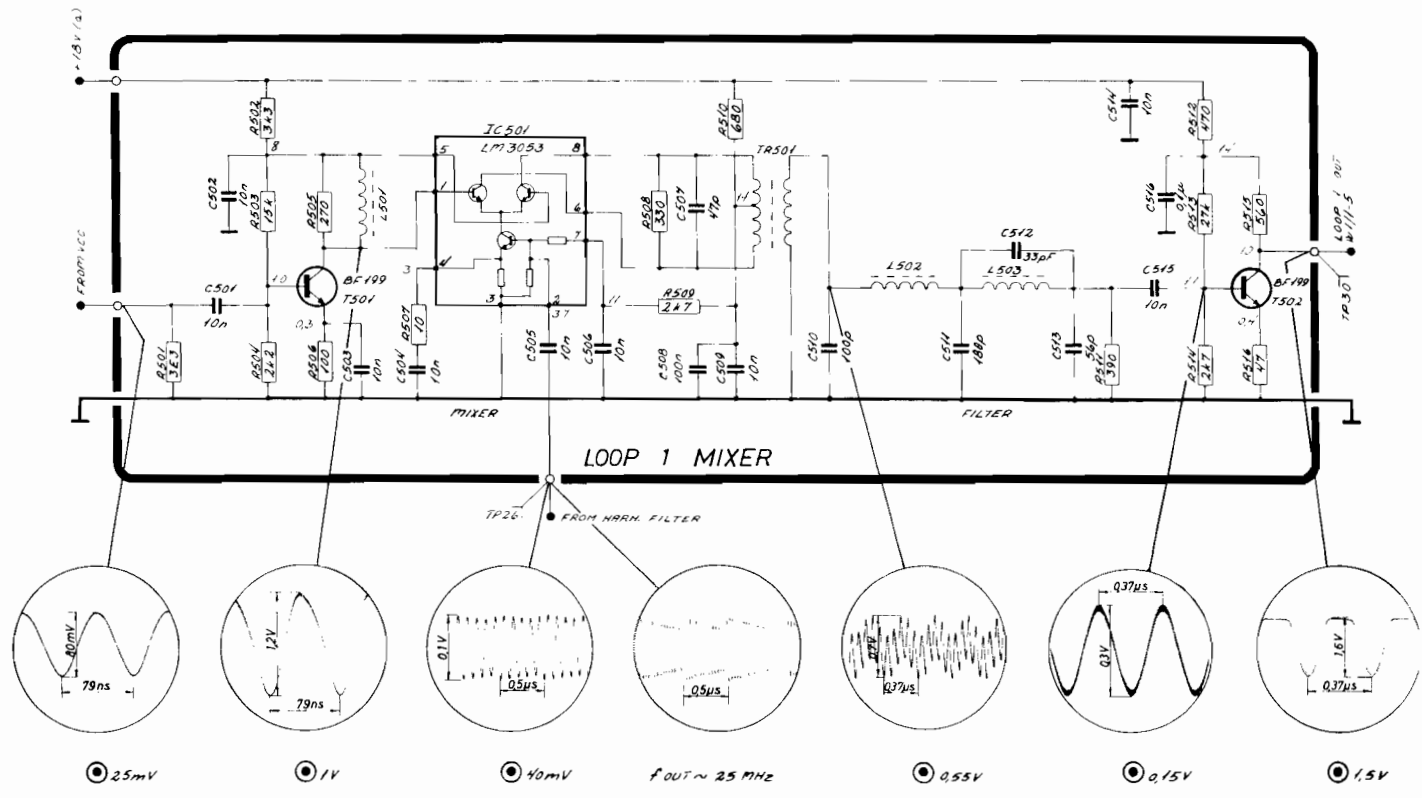
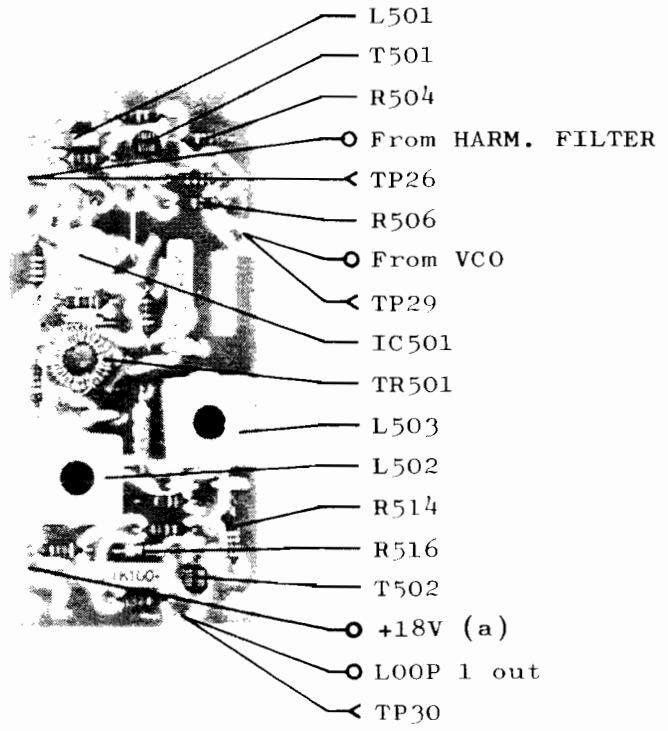
CIRCUIT DESCRIPTION LOOP 1 MIXER S1300 & R1117

This unit mixes together the VCO signal and the signal from the harmonic filter and filters out the difference frequency to supply the variable divider.

The VCO signal is fed to the top of R501 which is part of a voltage divider. From here it is fed into a buffer amplifier T501 and after that to the integrated balanced mixer IC501. To this the harmonic filter signal is applied via C505. Output from the mixer is fed into the combiner transformer TR501 feeding into the low-pass filter containing L502 and L503. This low-pass filter filters out the wanted mixing product and prevents the two local-oscillator signals from reaching the variable divider. The filtered signal is amplified in the output amplifier T502.

TEST CONDITIONS

Frequency selector : 1A (f = 2.0005 MHz)
Oscilloscope input : Passive probe 10 Mohm//11 pF
DC voltmeter input : 10 Mohm
⊙ : Diode probe measurements
TP : Testpoints
All voltage statements are typical



CIRCUIT DESCRIPTION VCXO & LOOP 2 FILTER S1300

This unit contains the integrator and loop filter for loop 2, the voltage controlled crystal oscillator (VCXO) and the loop 2 mixer.

LOOP 2 FILTER

The integrator is built up around IC601 the integration capacitor is C605. R601 feeds current into the diode coupled Darlington pair in the phase comparator MC4044 on the divider board to make the 1.5V reference. Output from the integrator pin 6 on IC601 is fed into the low-pass filters R607, C607, R609 and C606 to filter out the 100 Hz ripple from the phase comparator. From the low-pass filter the control voltage is fed via R615 into the VCXO.

VCXO

The VCXO is built up around the FET T601. The oscillator is an ordinary Hartley oscillator with a crystal in the feed-back path. The crystal is tuned with the varicaps D601 and D602 to carry out the voltage control of the frequency. The output from the VCXO to first mixer is taken from the tap on the coil L601. From the source a portion of the oscillator signal is taken to the loop 2 mixer.

LOOP 2 MIXER

As mentioned above the VCXO signal is fed into the base of mixer transistor T602 via R610. 10 MHz from the TCXO are applied to the same base via R619. Because of the big difference between the two oscillator frequencies and the wanted output frequency the only filtering needed to filter out the wanted frequency product is R621 and C616. The mixer transistor feeds into the output amplifier T603.

TEST CONDITIONS

Frequency selector : 1A ($f = 2.0005$ MHz)
Oscilloscope input : Passive probe 10 Mohm/11 pF
DC voltmeter input : 10 Mohm

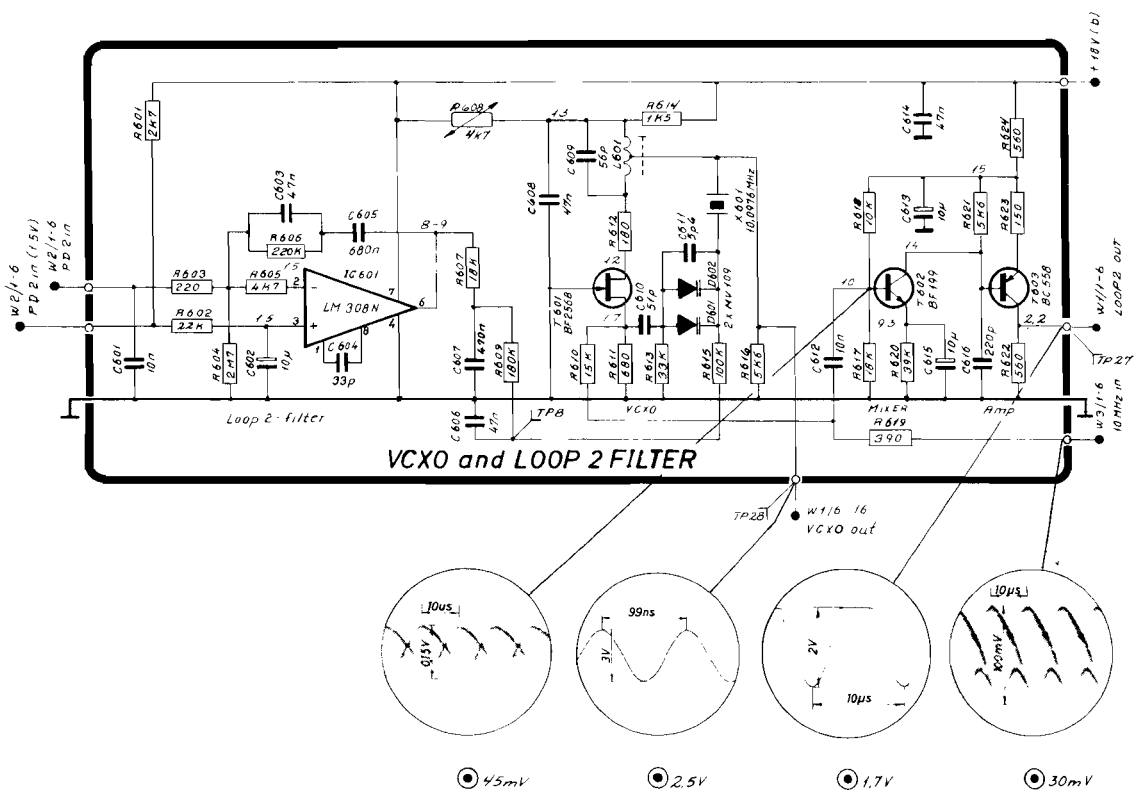
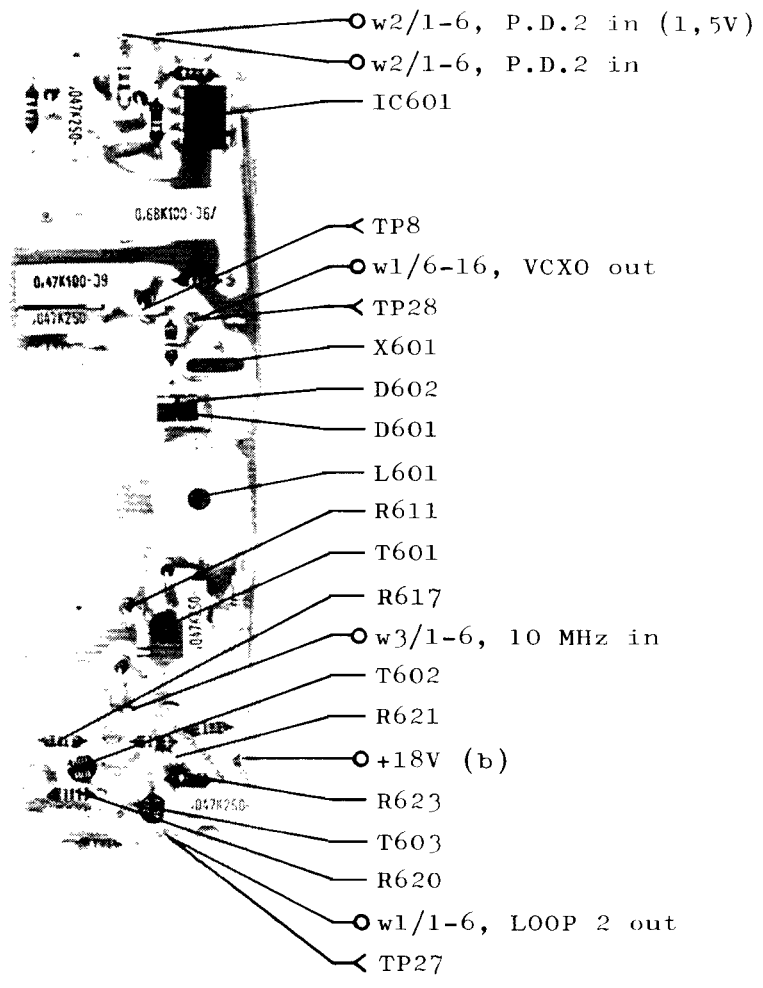
⊙ : Diode probe measurements

TP : Testpoints

All voltage statements are typical

A1/2 S1301, S1300/TT, T

A2/Z S1301, S1300711, T



CIRCUIT DESCRIPTION MOTOR CONTROL UNIT S1300

SELECTION OF THE FREQUENCY BANDS IN TRANSMITTER T1127.

This unit contains the control circuits for the band selection in T1127 and S1300, output power and power supply ON/OFF.

The transmitter T1127 has a 19 position drum switch driven by a step-motor. For each position a five bit code (S,R,Q,P,O) is generated.

The FREQUENCY SELECTOR in the exciter is programmed with a code for the 19 bands corresponding to the code from the transmitter. The two codes are compared and if the codes are unequal the step-motor runs and for equal codes the step-motor stops.

From the FREQUENCY-SELECTOR the transmit band code (ZYXV), the MHz code (A) and the 100 kHz code (DCB) are delivered to MOTOR CONTROL UNIT. In the first six MF bands the DATA SELECTOR IC702 transfers the MHz code (A) and 100 kHz code (DCB) to the comparator IC703a,b,c,d and IC704c. In all other bands the DATA SELECTOR IC702 transfers the transmit band code (ZYXV) to the comparator IC703a,b,c,d and IC704c.

The information from the comparator is inverted in IC704b and via IC705c to T714 which controls the step-motor. IC705b stops the information if the decimal code of (ZYXV) is 15 or 0 indicating that no programming strip or an unprogrammed one is mounted. This information is also fed to IC705a and T715 in order to block the power supply. The information that the step-motor is running and the POWER ON/OFF information are fed to IC705a and T715 in order to block the power supply.

SELECTION OF VCO AND HARMONIC FILTER

For each 2 MHz band a VCO and a HARMONIC FILTER are used. To cover the MF and HF maritime band 9 VCO's and HARMONIC FILTERS are used.

From the FREQUENCY SELECTOR the transmit band code (ZYXV) is fed to the 4 to 16 Line Decoder IC707 and the MHz code (A) are fed to the Majority Logic IC706a.

For the two frequency bands from 1.6 - 2.0 MHz the MHz code (A) controls the Majority Logic IC706a to switch on the transistor T702, and thus selects the 0 - 2 MHz VCO.

For the four frequency bands from 2.0 - 2.9 MHz the MHz code (A) controls the Majority Logic IC706b to switch on the transistor T703, and thus selects the 2 - 4 MHz VCO.

For the four frequency bands from 2.8 - 4.0 MHz the transmit band code (ZYXV) activates the outputs from 2 - 5 on the 4 to 16 Line Decoder IC707. These outputs controls the Majority Logic IC706b to switch on the transistor T703 and thus selects the 2 - 4 MHz VCO.

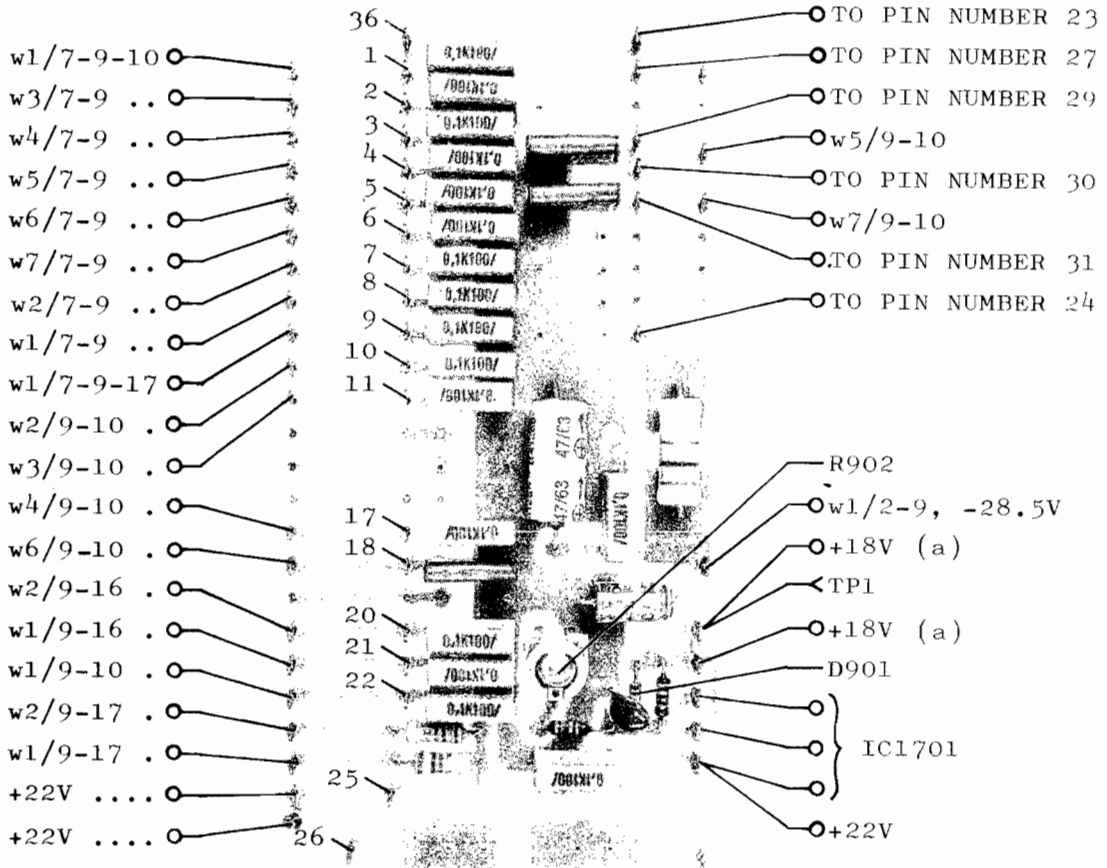
For the 7 HF bands the transmit band code (ZYXV) activates the outputs from 6 to 12 on the 4 to 16 Line Decoder IC707. These outputs switch on the transistors T704 to T710 in order to select the corresponding VCO's 4 - 6 MHz, 6 - 8 MHz, 8 - 10 MHz, 12 - 14 MHz, 16 - 18 MHz, 22 - 24 MHz and 24 - 26 MHz.

For the 2182 MHz band the transmit band code (ZYXV) activates output 14 on the 4 to 16 Line Decoder IC707. This output switches on the transistor T703 via the Majority Logic IC706b and thus selects the 2 - 4 MHz VCO. The output 14 on IC707 is fed through T712 and T713 to indicate that 2182 kHz is selected.

A1/2 S1301, S1300/11, T

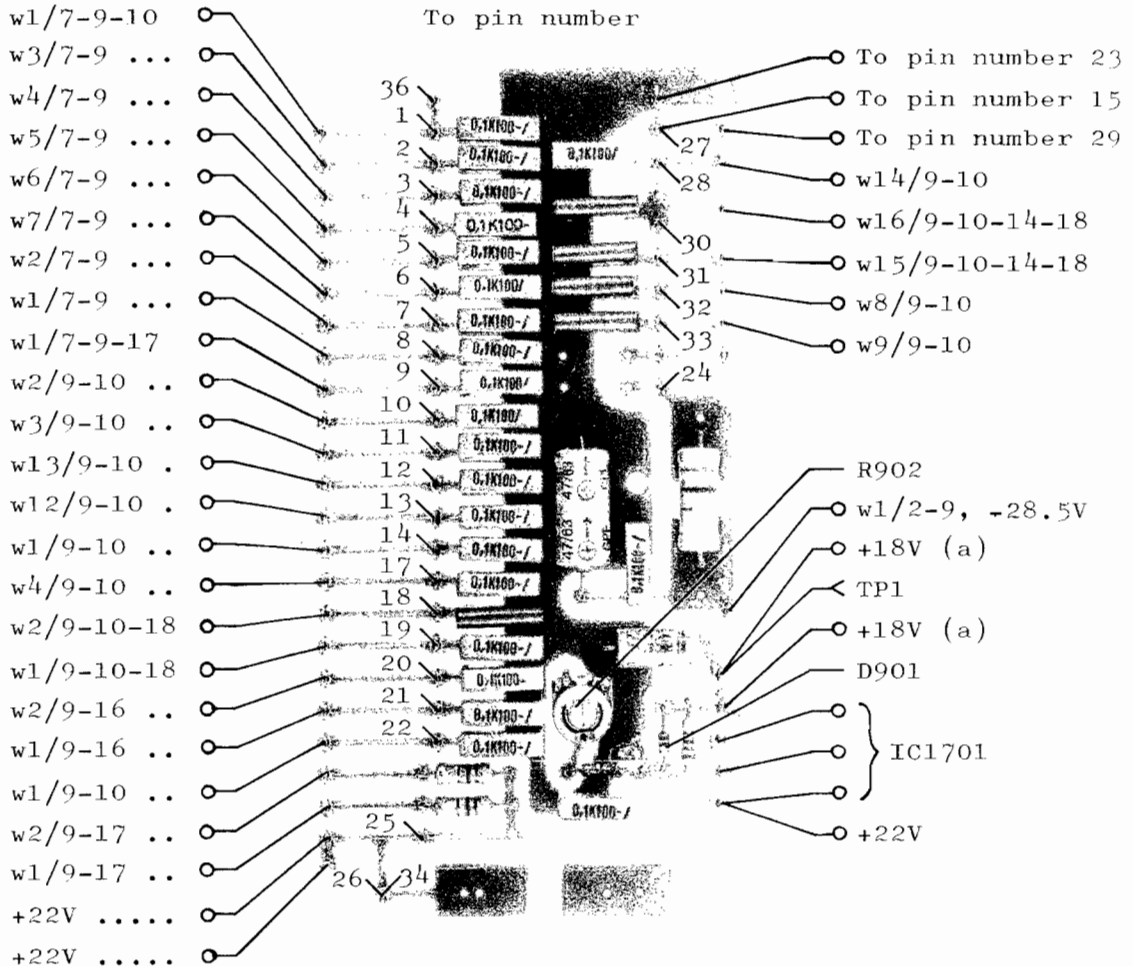
S1300

TO PIN NUMBER



S1301

To pin number

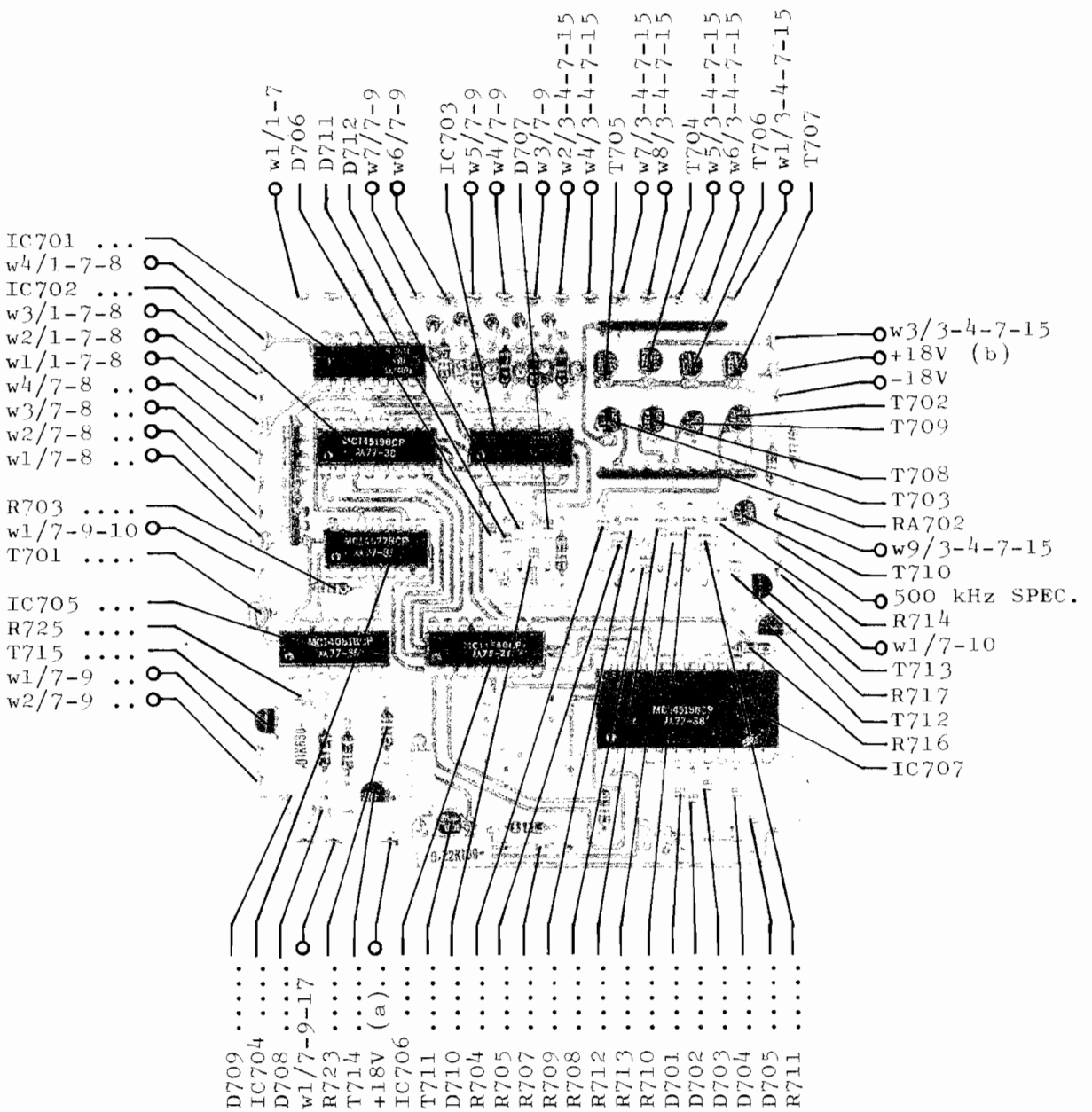


A1/2 S1301, S1300/TT, T

For the 500 kHz band the transmit band code (ZYXV) activates output 13 on the 4 to 16 Line Decoder IC707. This output switches on the transistor T702 via the Majority Logic IC706b and thus selects the 0 - 2 MHz VCO.

400W/800W CONTROL

In the MF band from 1.6 - 4 MHz the output power must not exceed 400W PEP. The information that a frequency below 4 MHz is selected is fed from the outputs on the Majority Logics IC706a and IC706b to the IC704a and T701.



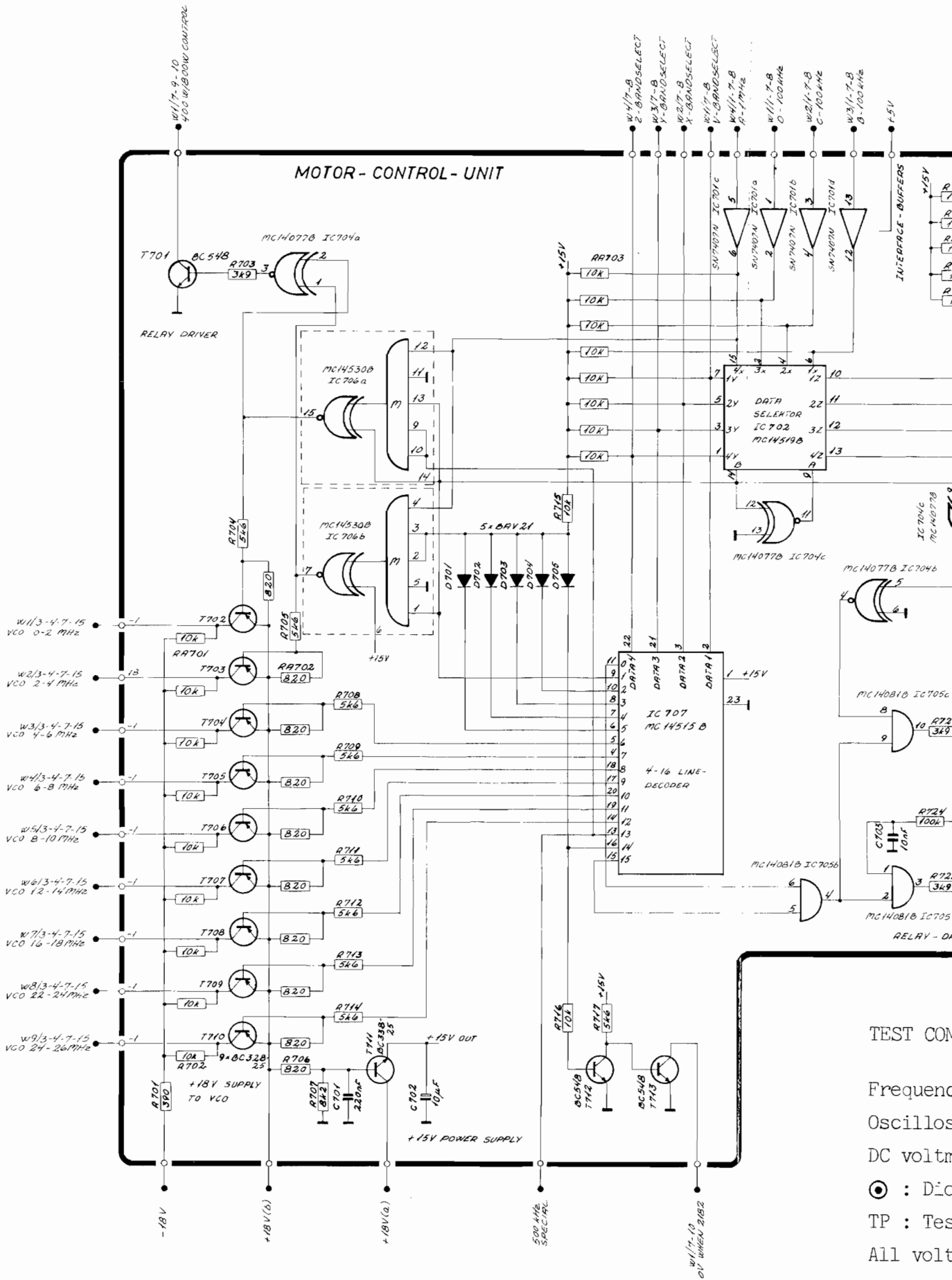
A2/2 S1301, S1300/TT,T

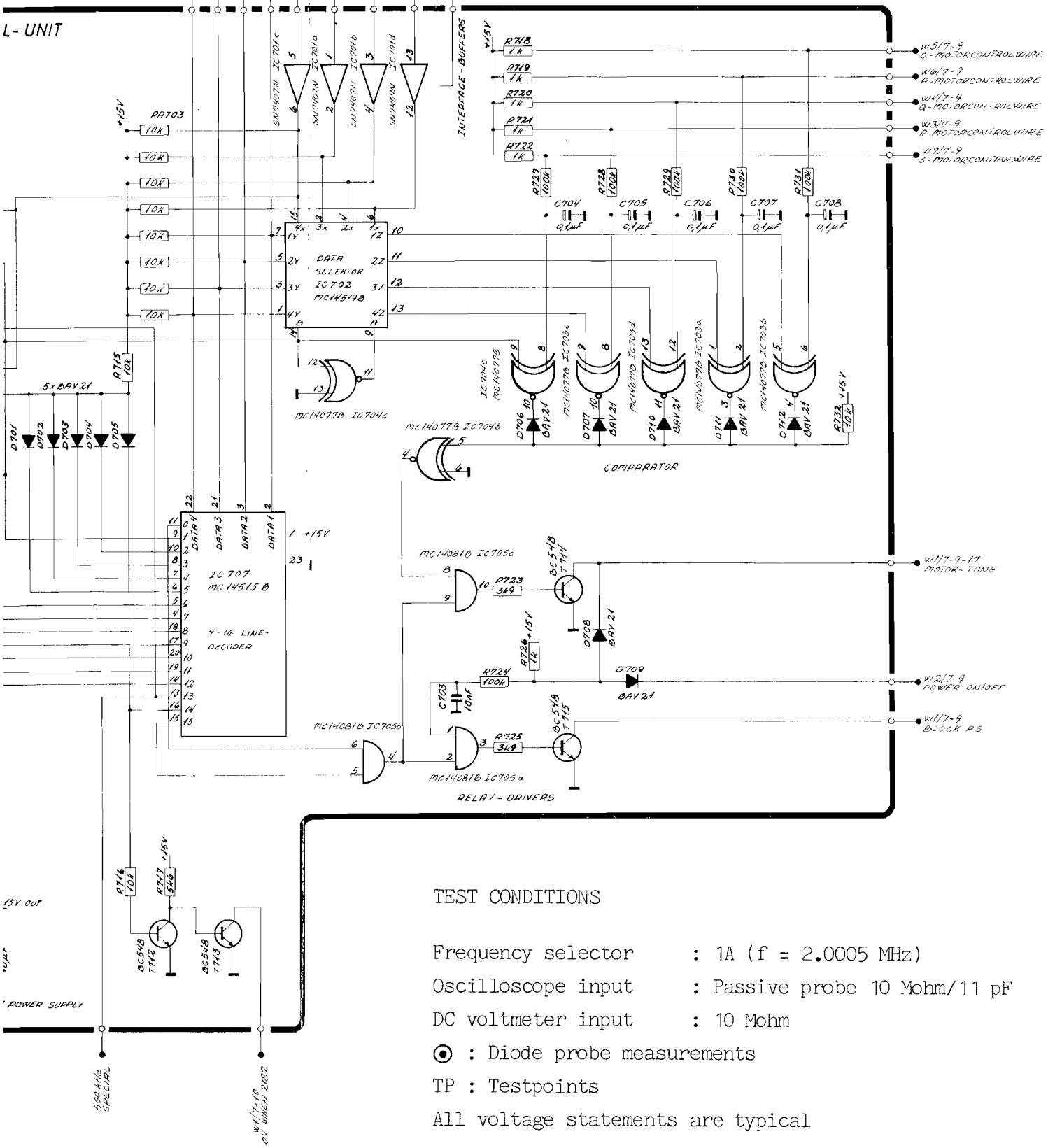
n the
via

P.
out-

5

15
PEC.





TEST CONDITIONS

- Frequency selector : 1A (f = 2.0005 MHz)
- Oscilloscope input : Passive probe 10 Mohm/11 pF
- DC voltmeter input : 10 Mohm
- ⊙ : Diode probe measurements
- TP : Testpoints
- All voltage statements are typical

CIRCUIT DESCRIPTION SSB GENERATOR S1300

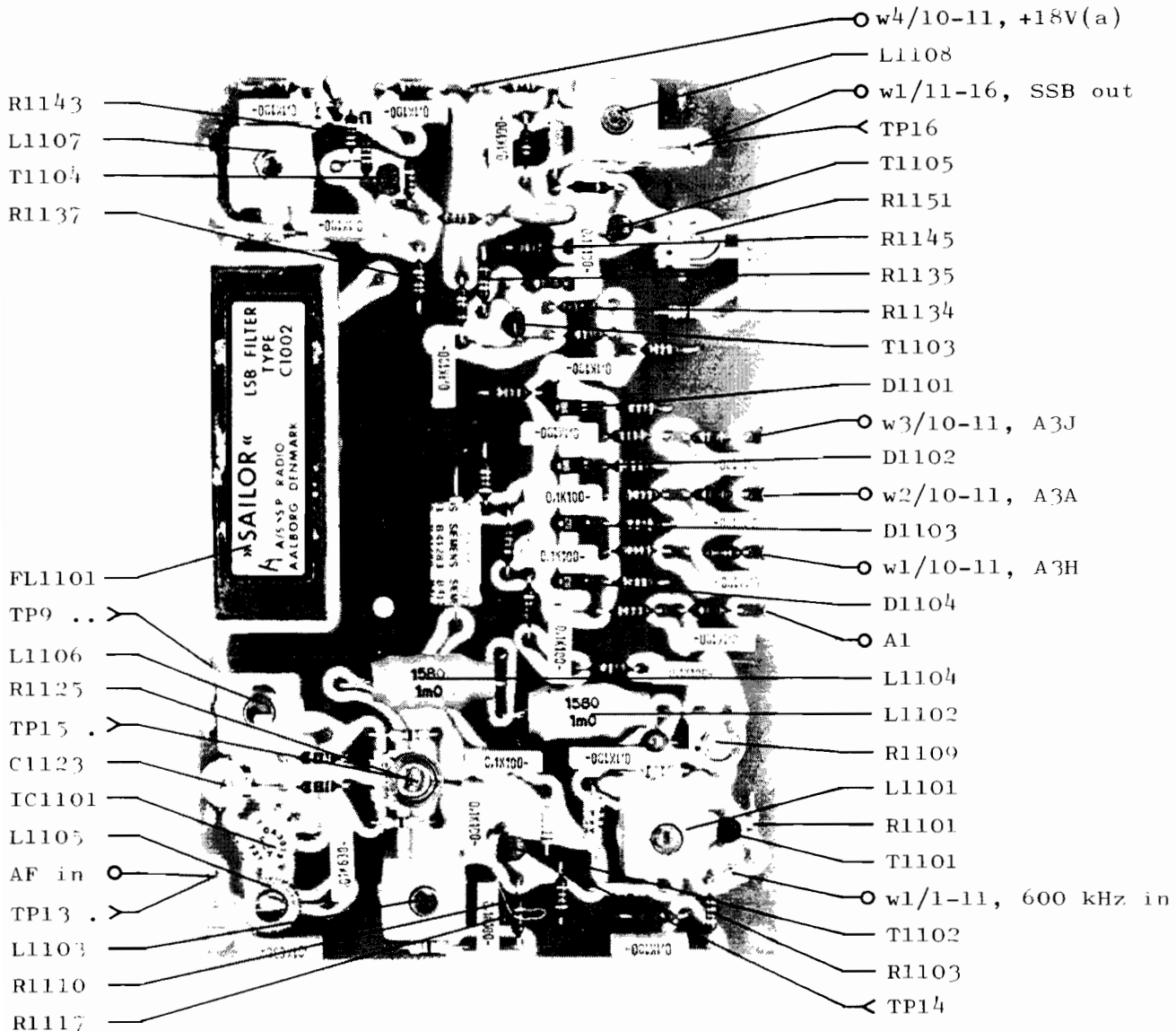
In this unit the required types of signals are generated (A3A, A3H and A3J).

SSB GENERATOR

The 600 kHz carrier signal from the divider unit is fed to T1101 and T1102 two tuned amplifiers. From the collector of T1101 600 kHz signal is taken to the carrier reinsertion circuit. From the collector of T1102 the carrier signal is fed into the double balanced modulator IC1101, which in addition receives AF signals via the low-pass filter L1105, C1118 and C1121, to remove RF pick-up from the microphone amplifier. A double sideband signal is now created on TP9 and fed into the crystal filter FL1101. The tuned circuits containing L1106 and L1107 around the filter carries out proper impedance matching to the filter. T1104 is an untuned buffer stage feeding into the tuned output amplifier T1105. On the base of T1105 the SSB signal from T1104 and the chosen portion of reinserted carrier from T1103 are added.

CARRIER INSERTION

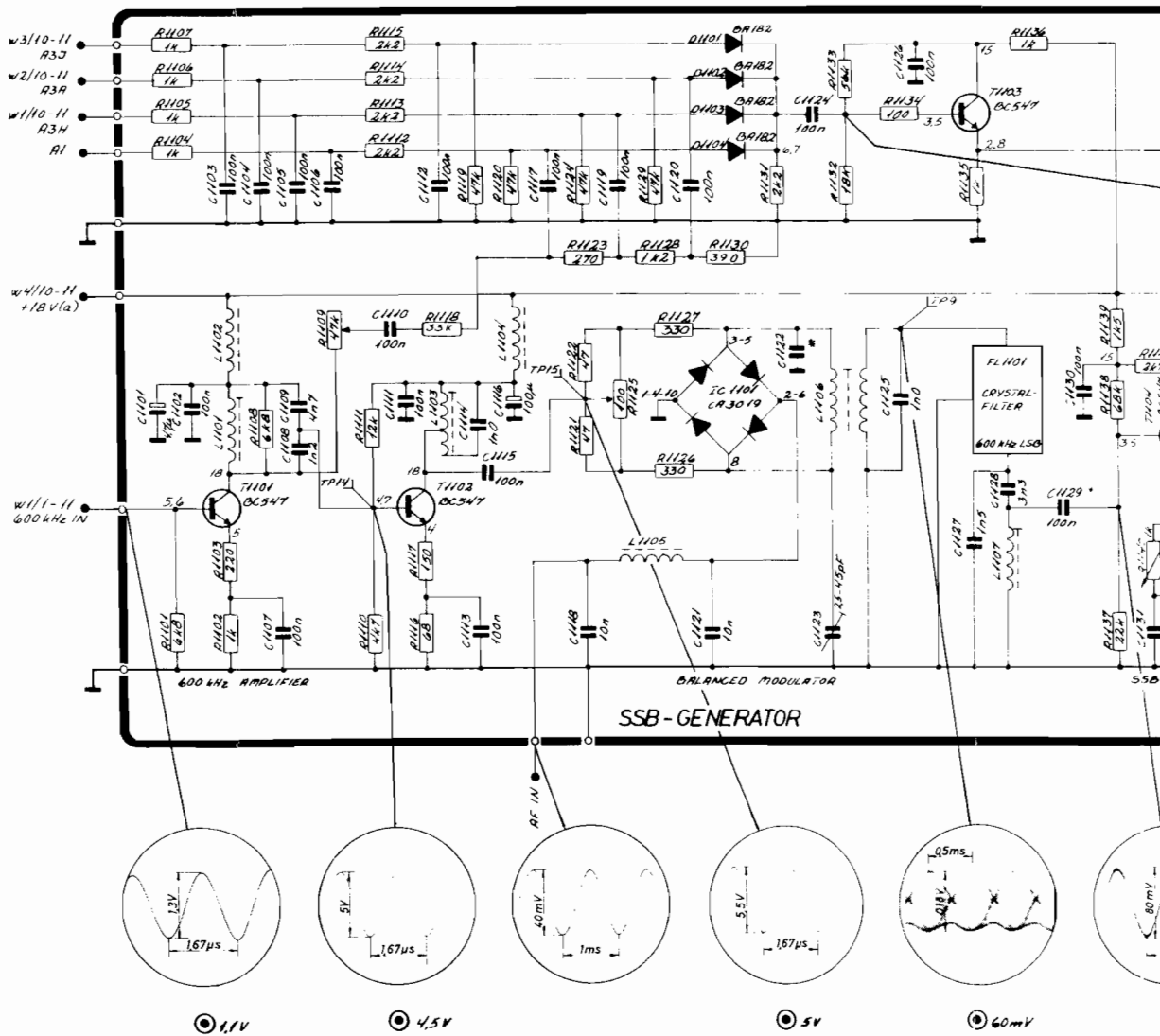
600 kHz carrier from the collector of T1101 is fed into a voltage divider R1109, R1118, R1123, R1128 and R1130. The necessary portion of carrier is chosen with diode D1101, D1102, D1103 or D1104, buffered by the emitter follower T1103 and fed via R1147 to the output amplifier.



TEST CONDITIONS

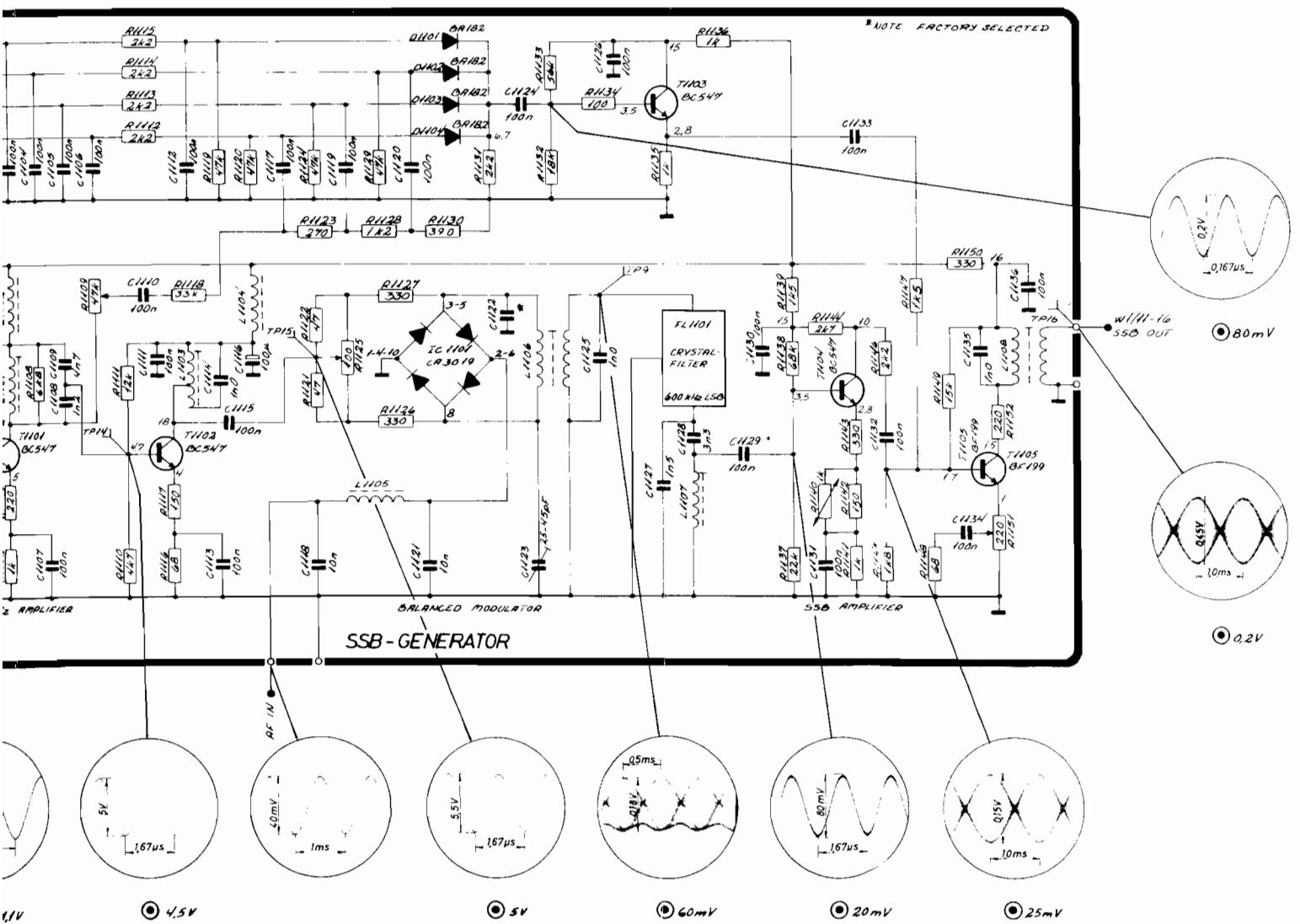
- Frequency selector : 1A (f = 2.0005 MHz)
- Mode : A3H
- AF input 1 kHz : 1 Vpp (serial condenser) } via microphone pl
- KEY : ON
- Oscilloscope input : Passive probe 10 Mohm/11pF
- DC voltmeter input : 10 Mohm
- ⊙ : Diode probe measurements
- TP : Testpoints
- All voltage statements are typical

A2/2 S1301, S1300/TT, T



DITIONS

- Frequency selector : 1A (f = 2.0005 MHz)
- Mode : A3H
- Modulation : 1 kHz : 1 Vpp (serial condenser) } via microphone plug
- Modulation : ON
- Oscilloscope input : Passive probe 10 Mohm/11pF
- Probe input : 10 Mohm
- Mode probe measurements
- Test points
- Waveform statements are typical



CIRCUIT DESCRIPTION MICROPHONE AMPLIFIER S1300

This unit generates and processes all the AF signals used in normal operation.

COMPRESSOR

The AF signal is after level regulation in R1201 fed into a voltage divider R1204, R1205 and then the FET T1202 acts as an electronically variable attenuator. The amount of attenuation is controlled by the voltage applied to the gate of the FET T1202.

The FET T1202 is biased in the off condition by 5.1V from zenerdiode D1202, with no control voltage applied to the gate. Under these conditions no attenuation takes place. With a control voltage of 5.1V applied to the gate, max. attenuation is obtained.

The electronically controlled attenuator is used to keep the output across the FET T1202 constant independent of speech volume, so performing a compressor action.

The control voltage already mentioned is derived from the very same signal, across the FET T1202 after amplification by T1203 and T1205. The output is taken across R1219 and fed to the level detector system consisting of T1210 and D1205.

As soon as the applied voltage to the base of T1210 becomes sufficiently low (about 4.7V) the collector current in transistor T1210 cuts off. This means that transistor T1208 normally saturated by the collector current of T1210 cuts off, leading to saturation of T1207 with the result that capacitor C1214 is charged very quickly.

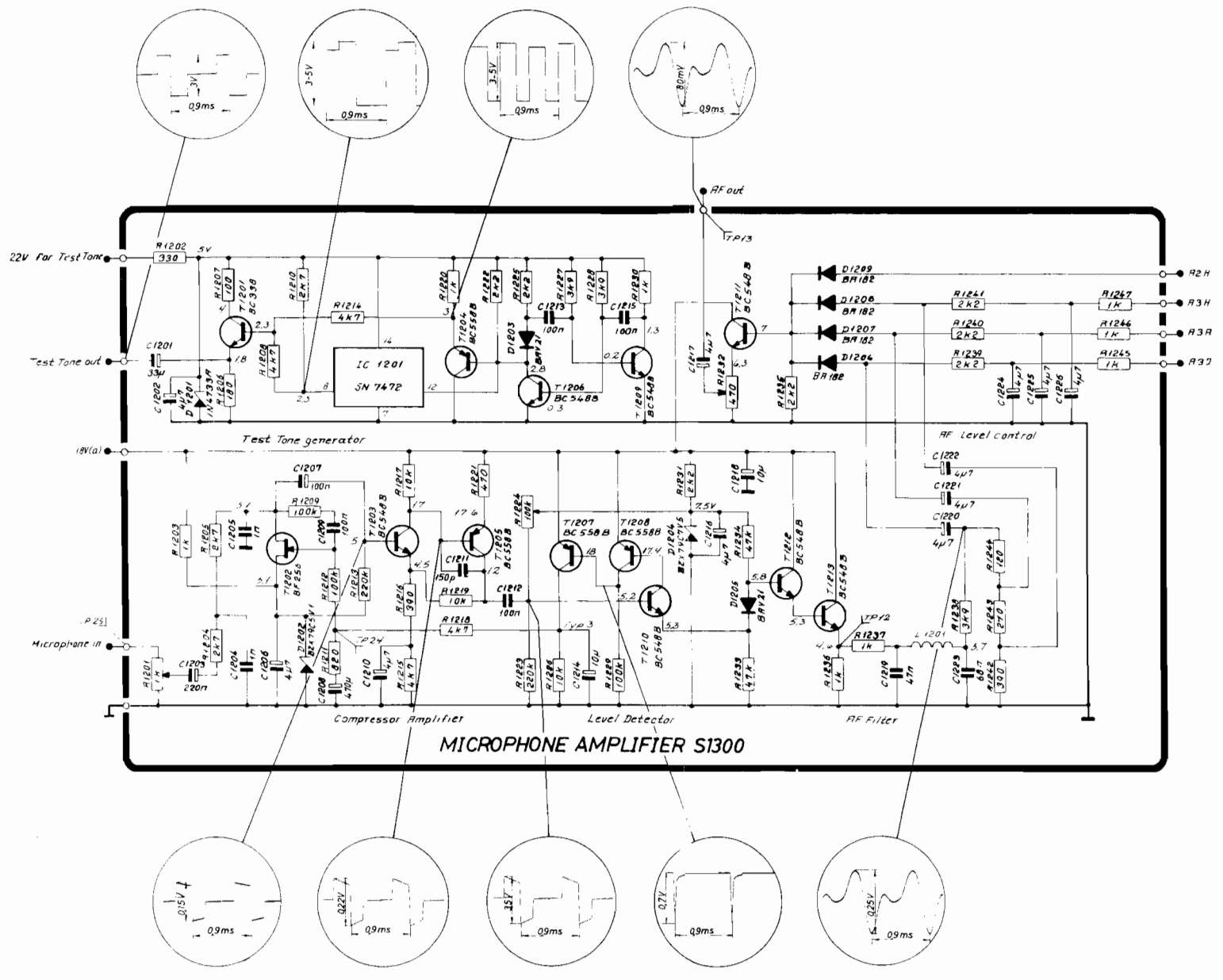
The voltage across C1214 is slowly discharged via R1218 and the filter circuit R1218 and C1208 and is applied to the gate of the previously mentioned FET T1202 via R1212.

Presence of the control voltage causes the attenuation to increase until the collector current in transistor T1210 is not cut off any more, and a balanced condition is established. The amplified and compressed microphone signal then passes through to an AF filter driven by T1212 and T1213 removing signals insignificant for clarity. The AF signal from the filter is carried to the fixed voltage divider R1238, R1244, R1243 and R1242. The AF voltages from this voltage divider is chosen with the diode D1206, D1207, D1208 or D1209 feeding into the output amplifier.

TEST TONE GENERATOR

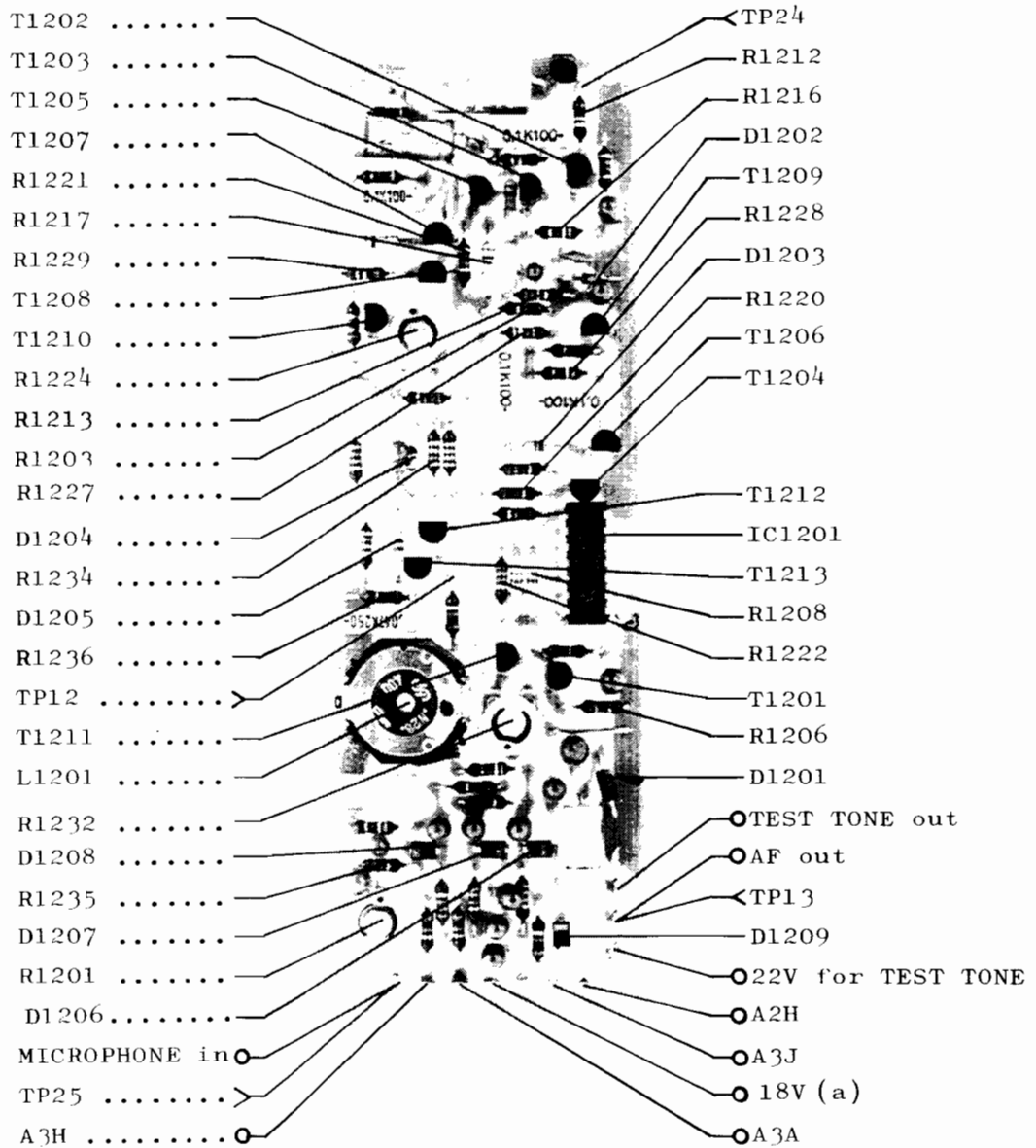
The test tone generator is a two-tone generator operating at the frequencies 2400 Hz and 1200 Hz. The multivibrator, composed of T1206, T1209 is oscillating at 2400 Hz, and in the integrated circuit IC1201 this frequency is divided to 1200 Hz, which can be measured on pin 8.

T1204 functions as emitter follower, and the 2400 Hz signal is fed from here via R1214 to the output transistor T1201. The 1200 Hz signal is also fed to T1201 via R1208 and is mixed with the 2400 Hz signal. The mixed signal is supplied to the compressor input during tuning of the transmitter and owing to the presence of the AF filter. Sinewave shaped tones are produced, as the two-tone generator itself delivers square wave voltages.



TEST CONDITIONS

Mode : TUNE
 Oscilloscope input : Passive probe 10 Mohm//11 pF
 DC voltmeter input : 10 Mohm
 TP: Testpoints
 All voltage statements are typical



CIRCUIT DESCRIPTION ALARM SIGNAL GENERATOR S1300

This module has the task of modulating the exciter with the standardized "Distress" signal. This signal is composed of two tones, 1300 Hz and 2200 Hz. The switching between these two tones takes place at intervals of 0.25 secs. The generation of this signal is automatically stopped after 45 secs.

The transistor T1303 operates as a 1300 Hz oscillator and T1302 as 2200 Hz oscillator. The switching period between the two tones is determined by T1301, which is a unijunction transistor giving a shift pulse to the integrated circuit IC1301, which operates as a flip-flop in such a way that the output signals on pin 6 and pin 8 fall from +6V to 0V and back each time T1301 gives a shift pulse.

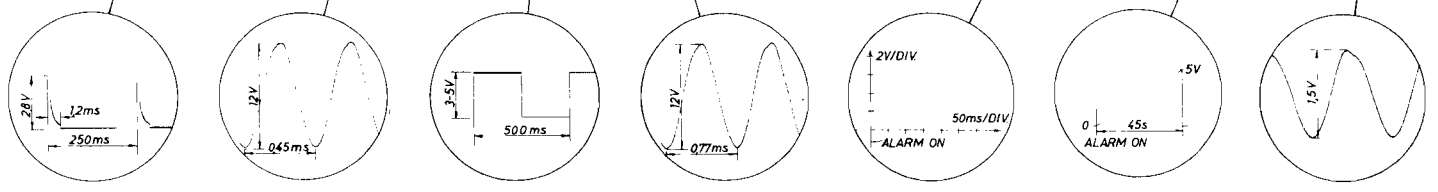
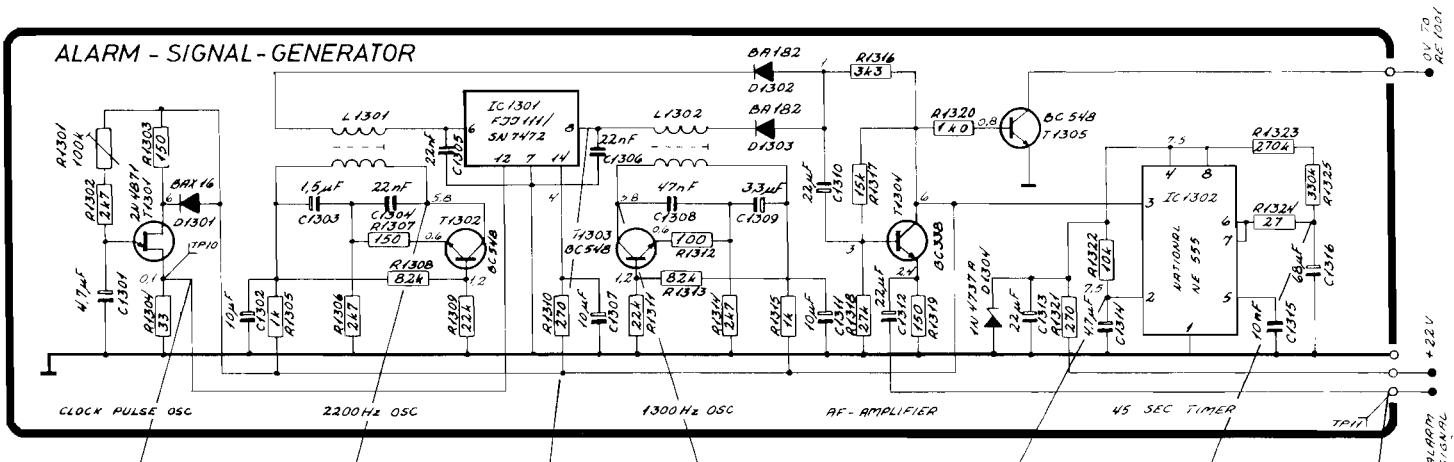
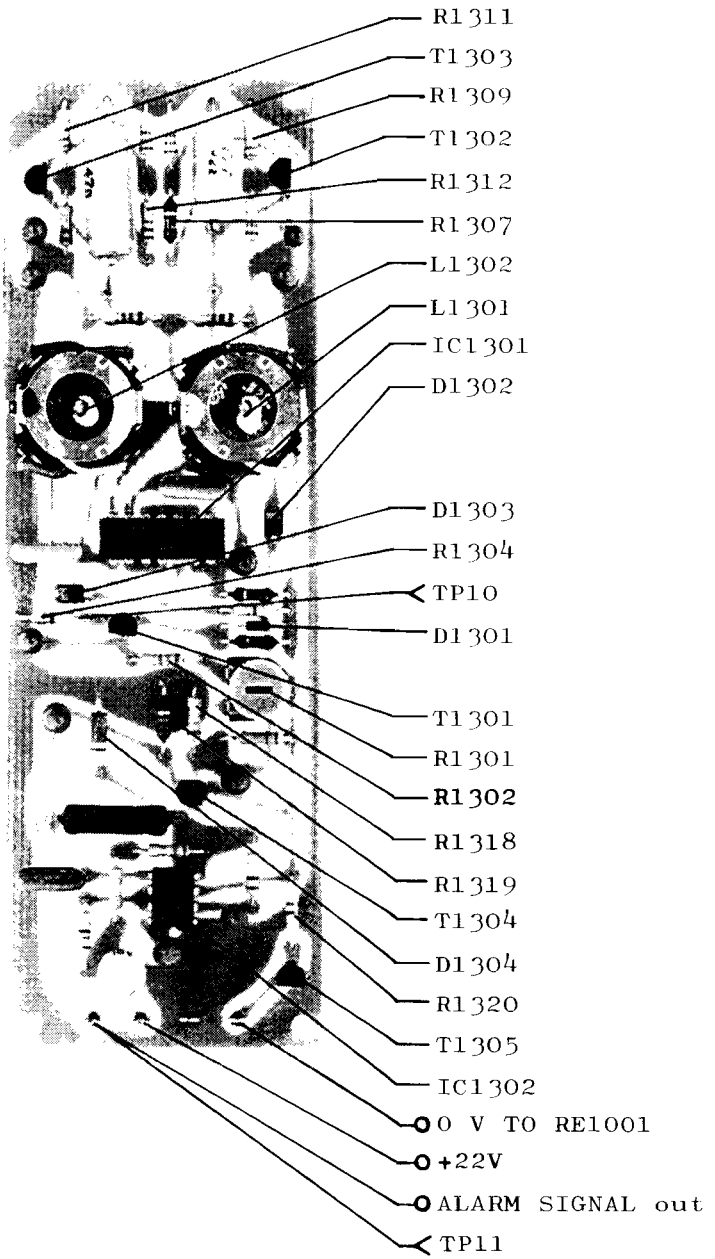
In addition the voltage on pin 6 is +6V, when the voltage on pin 8 is 0V and vice-versa. In this way the gate diode D1302 is brought into conduction, when pin 6 reaches the value 0V, which has the effect that D1301 is cut off and only the 2200 Hz signal is fed out to T1304. At the next shift pulse the 1300 Hz signal is supplied to T1304. T1304 is operating as power amplifier and delivers the signal to both microtelephone and compressor.

Start and stop of the alarm signal generator takes place by means of the integrated timer IC1302. With supply voltage appearing, it feeds through to pin 3 and starts charging C1316. After a time period determined by R1323, R1325 and C1316 this feeding through is blocked and the alarm signal generator stops. The transistor T1305 is only saturated when the alarm signal generator is activated, and it activates a relay on the mode switch circuit board.

TEST CONDITIONS

Mode : TEST ALARM
Oscilloscope input : Passive probe 10 Mohm//11 pF
DC voltmeter input : 10 Mohm
TP: Testpoints
All voltage statements are typical

A1/2 S1301, S1300/TT, T



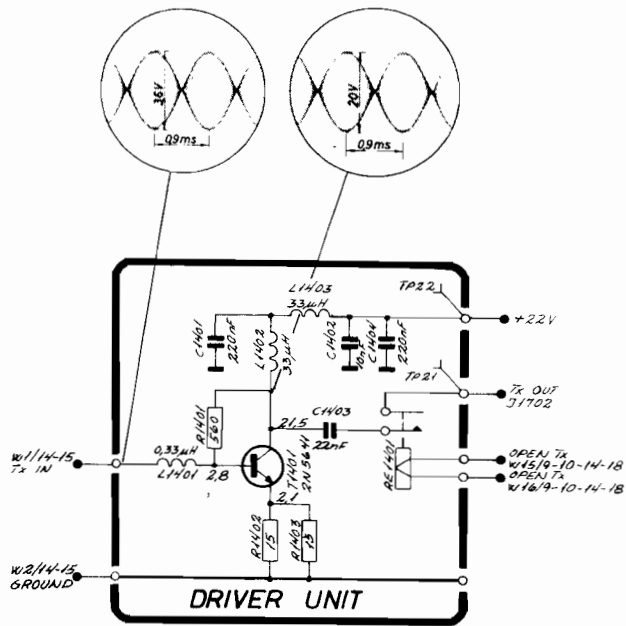
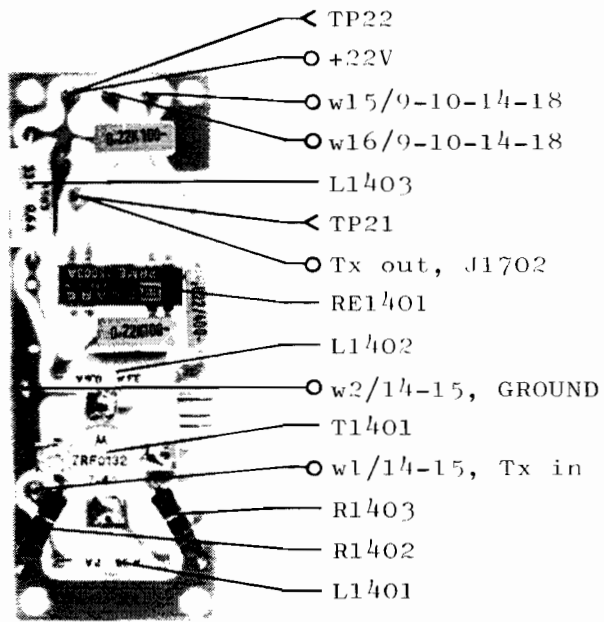
CIRCUIT DESCRIPTION DRIVER UNIT S1300TT & S1301

The driver unit produces the wanted one watt PEP into a 50 ohm load. The drive signal is applied to the base of T1401 via L1401. Combined with the drive signal the DC current is needed to bring T1401 to proper working point (IC = 285 mA). R1401, R1402 and R1403 perform feed-back and L1401 is together with input capacitance of the transistor a frequency compensation. The relay RE1401 interrupts the output signal in receive mode to prevent noise interference.

TEST CONDITIONS

Frequency selector : 1A (f = 2.0005 MHz)
Power level : FULL
Mode : TUNE
Maximum drive, 50 ohm connected to TX out, J1702
Oscilloscope input : Passive probe 10 Mohm//11 pF
DC voltmeter input : 10 Mohm
⊙ : Diode probe measurements
TP : Testpoints
All voltage statements are typical

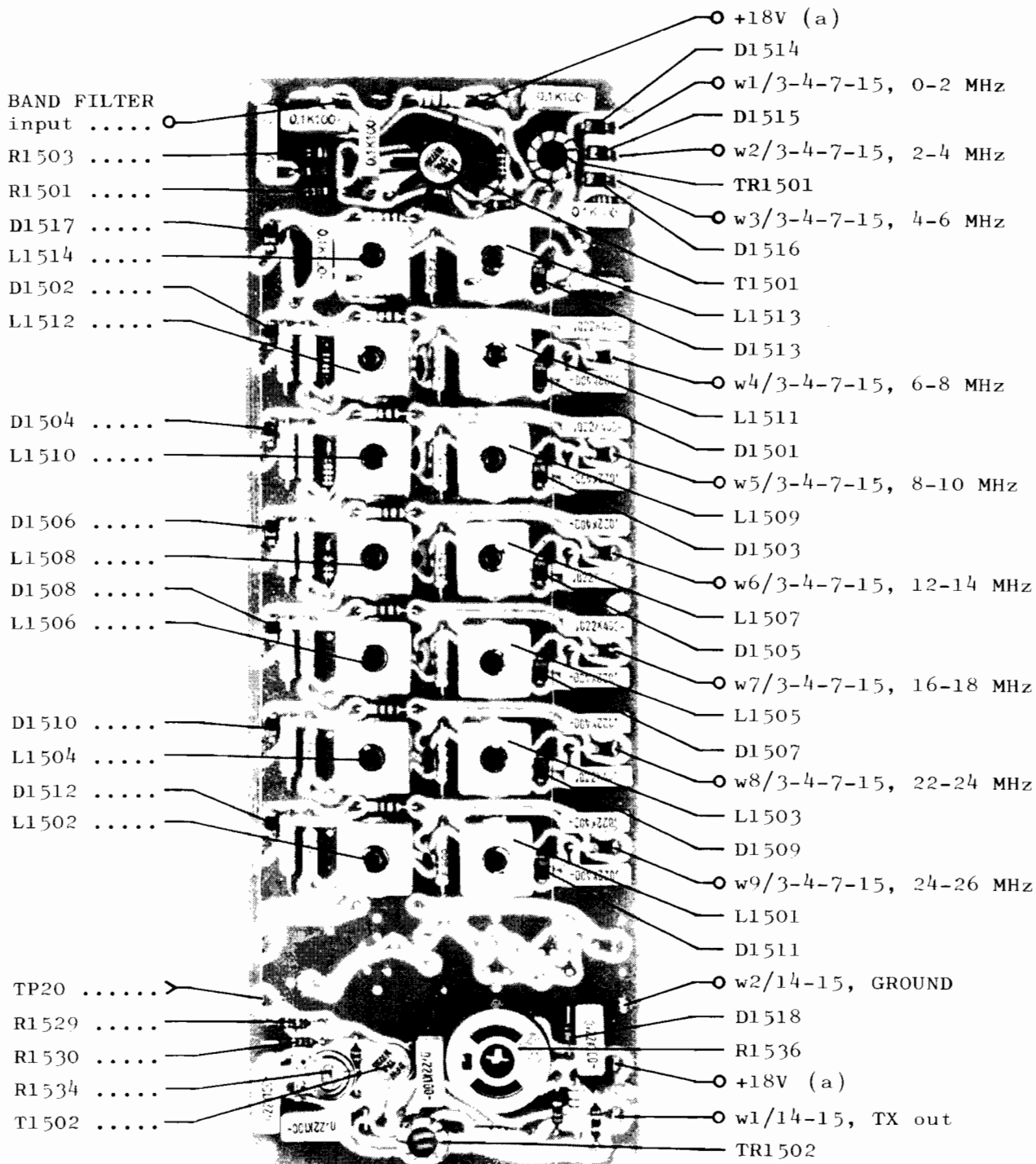
A1/2 S1301, S1300TT/T



CIRCUIT DESCRIPTION BAND FILTER S1300

This unit contains two amplifiers, six band-pass filters and a low-pass filter.

The signal from second mixer appears at the base of first amplifier T1501 via C1501. This amplifier is supplied with feed-back via R1502 and R1505 to act as the correct load for the mixer. Output from this amplifier is via an 1:2 transformer TR1501, fed into the selected band-pass filter or low-pass filter. The band-pass filter contains two tuned circuits, each with a coilcap on the input side and a capacitor on the output. Output from the chosen filter is fed into the buffer amplifier T1502 in conjunction with the output transformer TR1502 there is frequency compensation. C1549, R1535, R1537, R1536 and D1518 produce bias for the driver transistor.



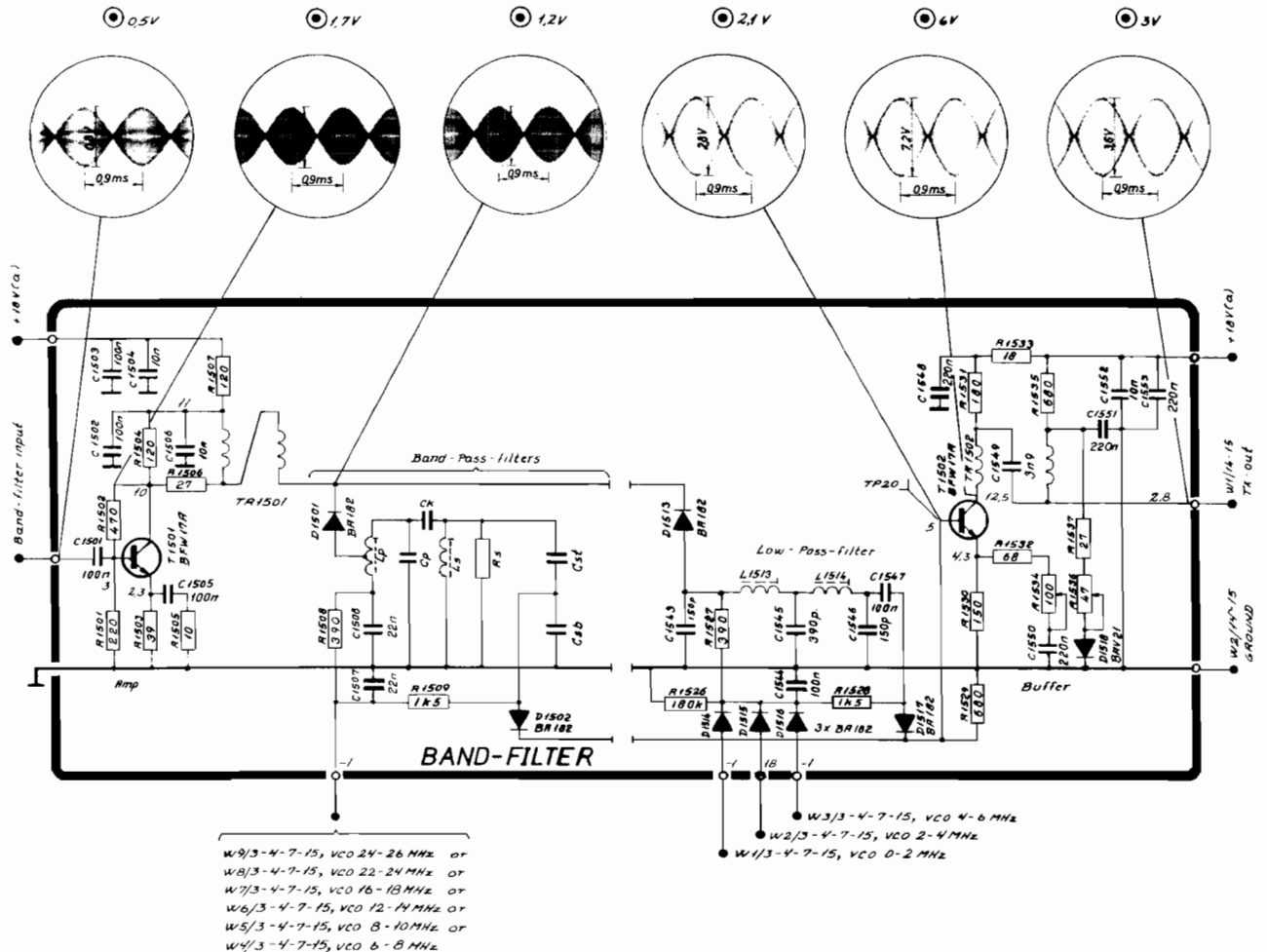
A1/2 S1301, S1300/TT, T

TEST CONDITIONS

- Frequency selector : 1A (f = 2.0005 MHz)
- Power level : FULL
- Mode : TUNE
- Maximum drive, 50 ohm connected to TX out, J1702
- Oscilloscope input : Passive probe 10 Mohm/11 pF
- DC voltmeter input : 10 Mohm
- ⊙ : Diode probe measurements
- TP : Testpoints
- ALL voltage statements are typical

Component label for Band-Pass-Filters

BAND	Lp	Cp	Ck	Ls	Rs	Csb	Cst
25 MHz	L 1501	C 1509 62 pF	C 1510 3.3 pF	L 1502	R 1510 non	C 1511 180 pF	C 1512 91 pF
22 MHz	L 1503	C 1515 75 pF	C 1516 4.3 pF	L 1504	R 1513 non	C 1517 220 pF	C 1518 110 pF
16 MHz	L 1505	C 1521 91 pF	C 1522 5.1 pF	L 1506	R 1516 non	C 1523 270 pF	C 1524 130 pF
12 MHz	L 1507	C 1527 120 pF	C 1528 7.5 pF	L 1508	R 1519 15 k ohm	C 1529 330 pF	C 1530 180 pF
8 MHz	L 1509	C 1533 180 pF	C 1534 11 pF	L 1510	R 1522 15 k ohm	C 1535 510 pF	C 1536 270 pF
6 MHz	L 1511	C 1539 220 pF	C 1540 13 pF	L 1512	R 1525 22 k ohm	C 1541 680 pF	C 1542 330 pF



CIRCUIT DESCRIPTION MIXER UNIT S1300

In this unit the 600 kHz signal from the SSB generator is mixed together with the VCXO and VCO signals in two steps to produce the wanted output frequency. In addition the necessary power level regulation is controlled in this unit.

FIRST MIXER

The transistors T1602 and T1603 form a balanced mixer. The 600 kHz signal is fed into the mixer via the phase splitting transformer TR1601. The VCXO signal is fed into the emitters via the buffer amplifier T1601. In this transistor it is possible to regulate the DC working point in two ways. One: changing the emitter resistor at the point "fixed power regulation". Two: changing the base current via a potentiometer between the two points "drive level potmeter". This DC working point regulation will control the amplitude of the VCXO signal to the mixer and in that way the output power is regulated.

FILTER AND AMPLIFIER

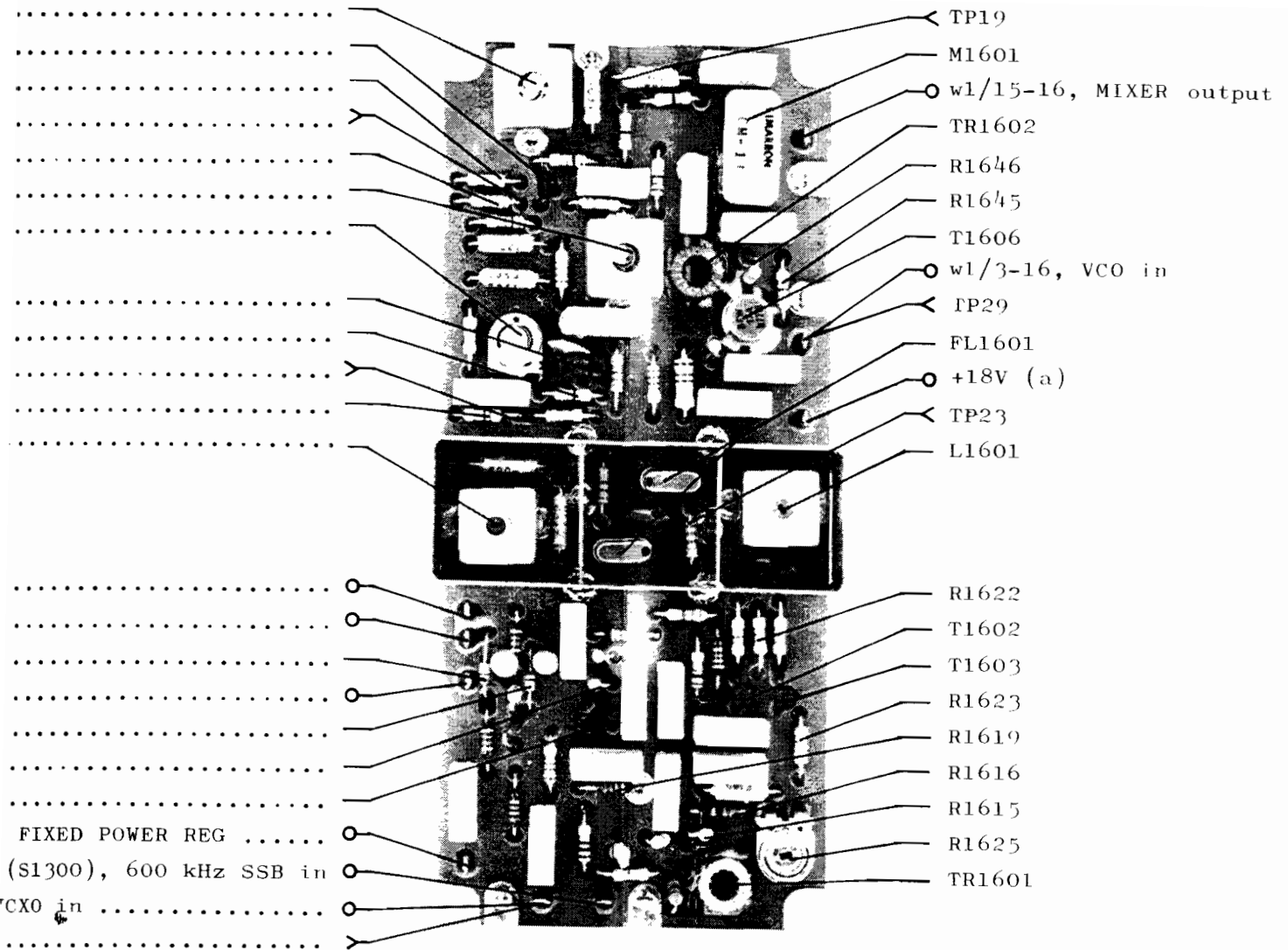
The first mixer feeds into the crystal filter FL1601. The tuned circuits containing L1601 and L1602 around the filter carry out proper impedance-matching to the filter. T1604 and T1605 are two buffer amplifiers, the circuit C1622, L1604, C1623 and R1643 carries out correct generator impedance for the mixer M1601.

SECOND MIXER

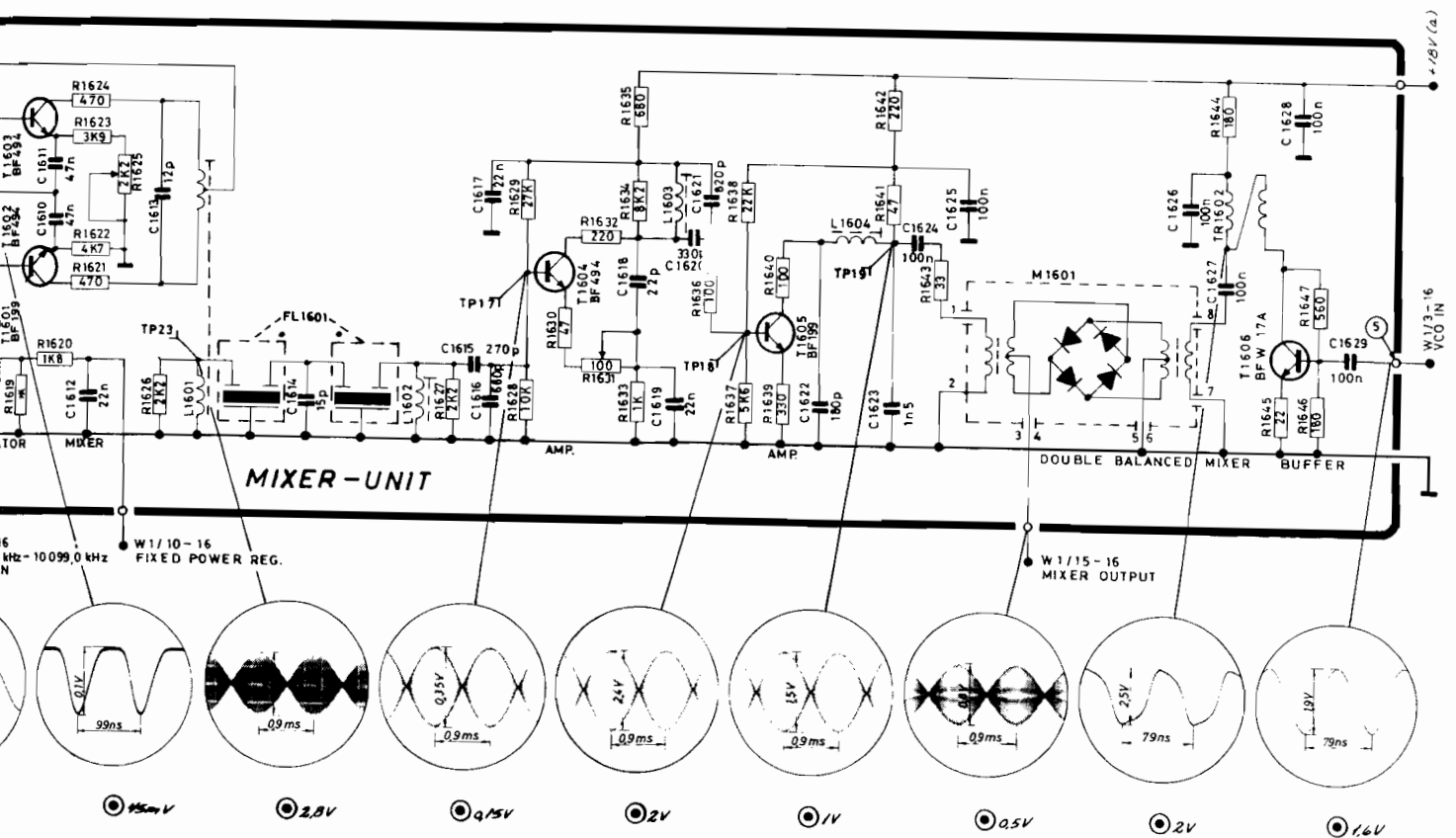
The second mixer M1601 is a double balanced hotcarrier diode mixer which mixes the 10.7 MHz signal together with the chosen VCO signal. The transistor T1606 is a wideband power amplifier supplying the mixer with the necessary power for proper operation. Output from the mixer is fed into the band filter unit.

TEST CONDITIONS

Frequency selector : 1A (f = 2.0005 MHz)
Power level : FULL
Mode : TUNE
Maximum drive, 50 ohm connected to TX out, J1702
Oscilloscope input : Passive probe 10 Mohm/11 pF
DC voltmeter input : 10 Mohm
⊙ : Diode probe measurements
TP : Testpoints
ALL voltage statements are typical



* R1619 { 12K IN EXCITERS WITH 3 POS POWER SWITCH
 { 27K IN EXCITERS WITH 5 POS POWER SWITCH



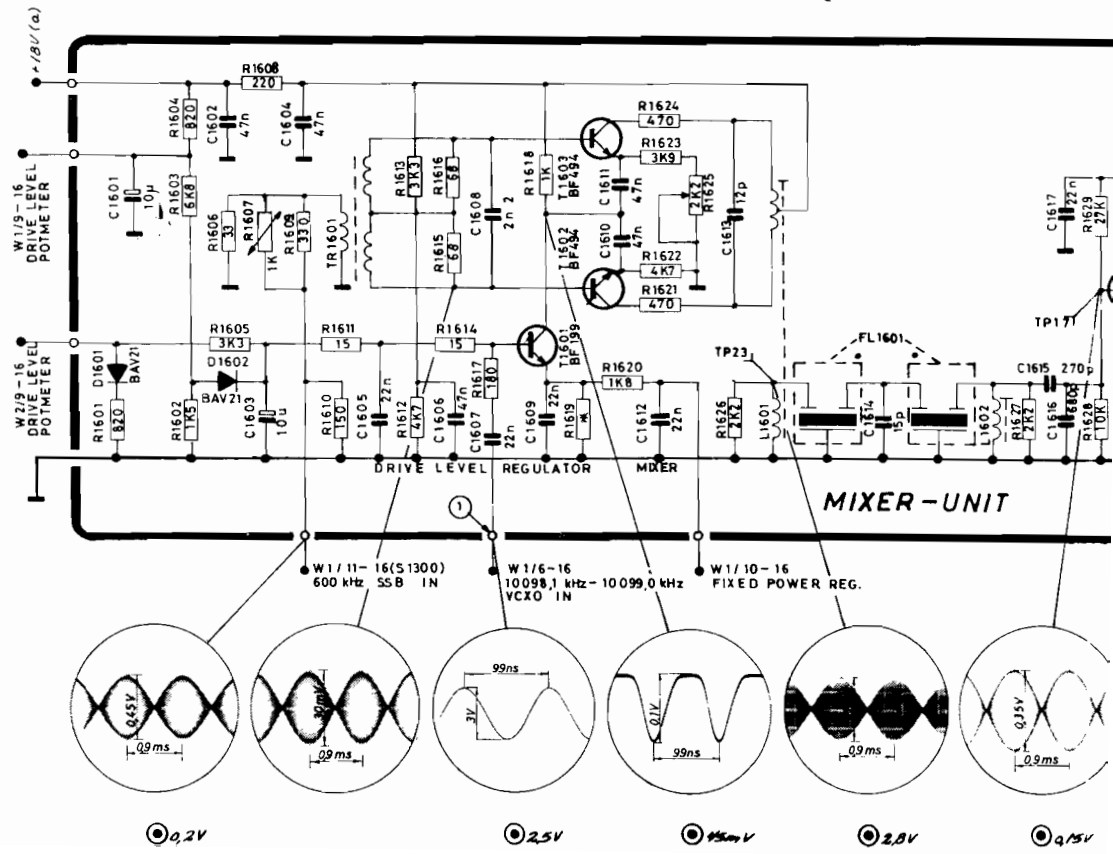
A2/2 S1301, S1300/TT,T

- L1604
- T1605
- R1639
- TP18
- R1637
- L1603
- R1631

- T1604
- R1630
- TP17
- R1628
- L1602

- 18V (a)
- w2/9-16
- D1601
- w1/9-16
- D1602
- R1614
- T1601
- w1/10-16, FIXED POWER REG
- w1/11-16 (S1300), 600 kHz SSB in
- w1/6-16, VCXO in
- TP28

* R1619 { 12K IN EXCITERS WITH 3 POS.
27K IN EXCITERS WITH 5 POS.



MIXER UNIT

0.2V

0.25V

0.5mV

0.2V

0.25V

CIRCUIT DESCRIPTION A2H OSCILLATOR AND DELAY UNIT S1300

This unit generates the necessary AF signal to modulate the exciter in the A2H mode and the necessary time delays for the telegraphy and telex operation.

A2H OSCILLATOR

The A2H AF oscillator is built-up around T1801 with the tuned circuit C1803, C1804 and L1801 adjustable to the wanted frequency 465 hz.

The output is a combination of a DC voltage to switch on the diode in the microphone amplifier, and the AF signal which is controlled via potentiometer R1806.

TX-DELAY

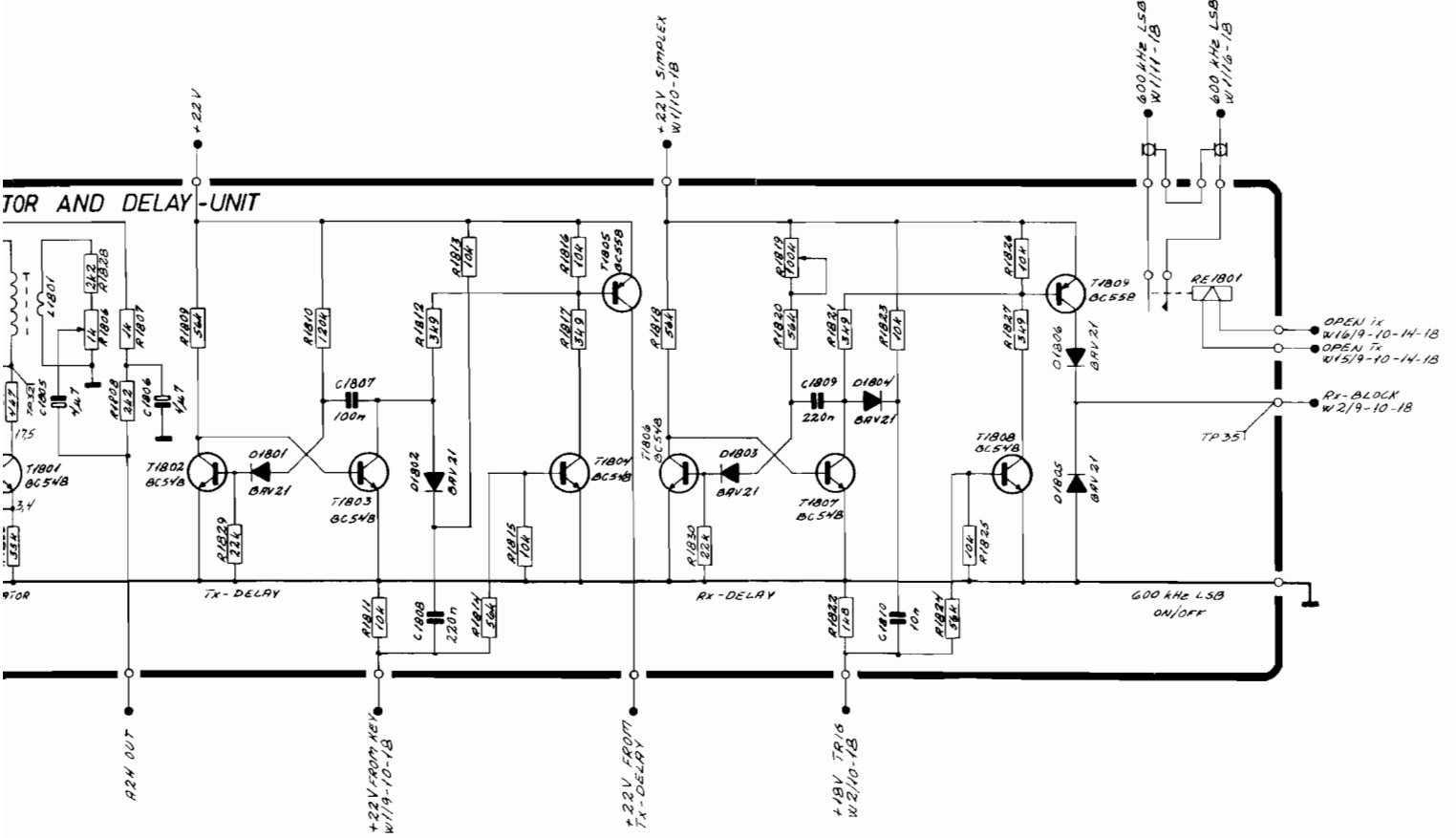
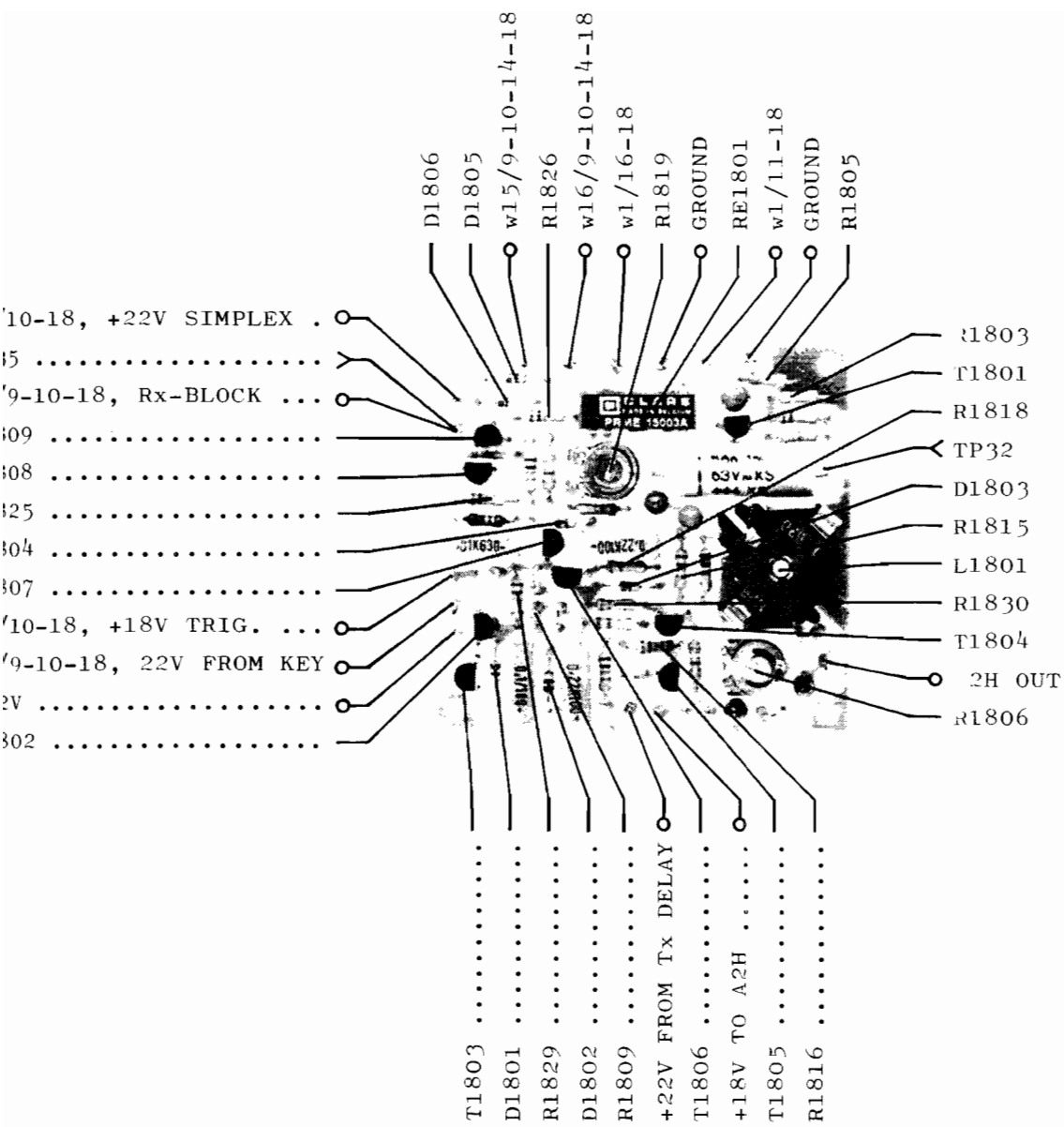
+22V FROM KEY controls T1805 to conduct, and T1805 will then supply +22V FROM TX-DELAY to the relays 600 kHz LSB ON/OFF and TX ON/OFF in telegraphy mode. When the key is released T1804 is off, but T1803 goes on for a time period of approx. 10 mS determined by the monostable multivibrator T1802 and T1803.

RX-DELAY

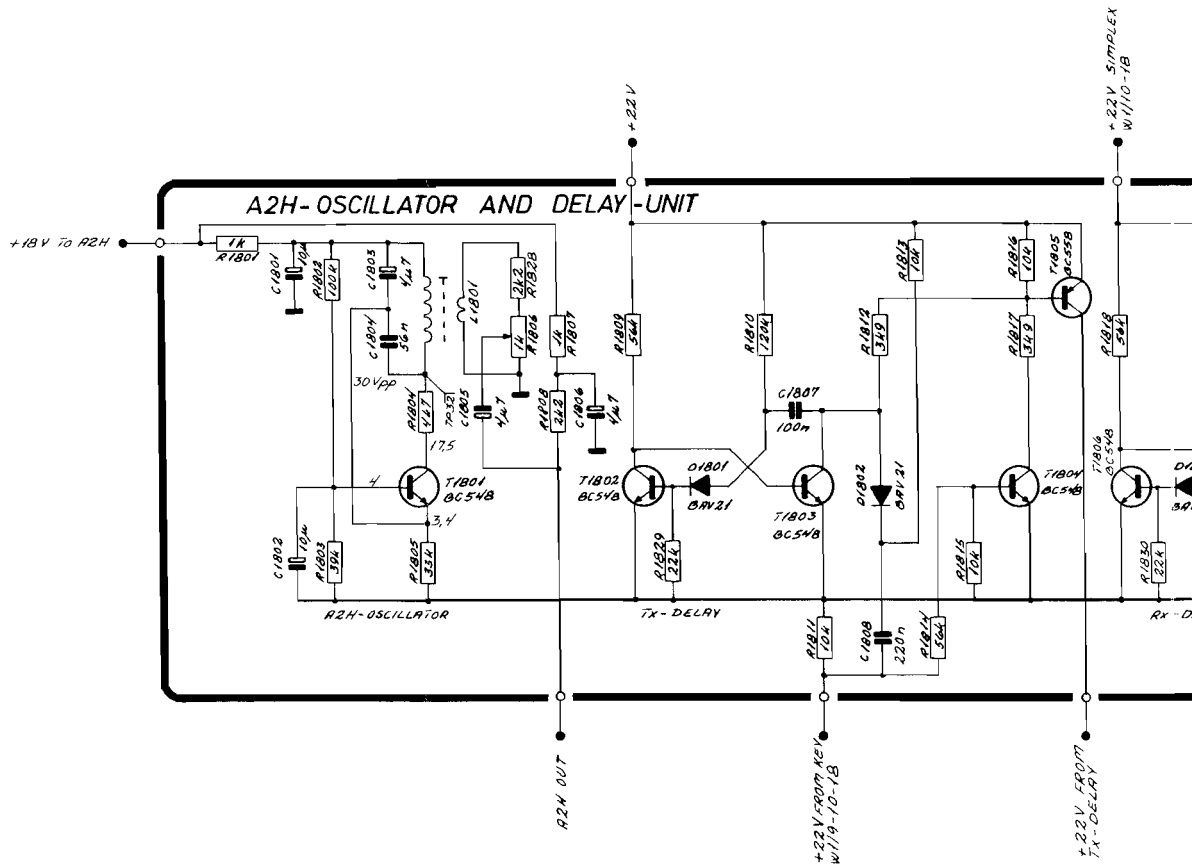
With the transmitter keyed there is +18V on +18V TRIG. keeping T1809 conducting, and in this way the receiver is blocked. When the key is released T1808 is off, but T1807 goes on and stays on for a time period between 13 mS and 30 mS determined by the monostable multivibrator T1806 and T1807 and adjustable with R1819.

600 kHz LSB ON/OFF

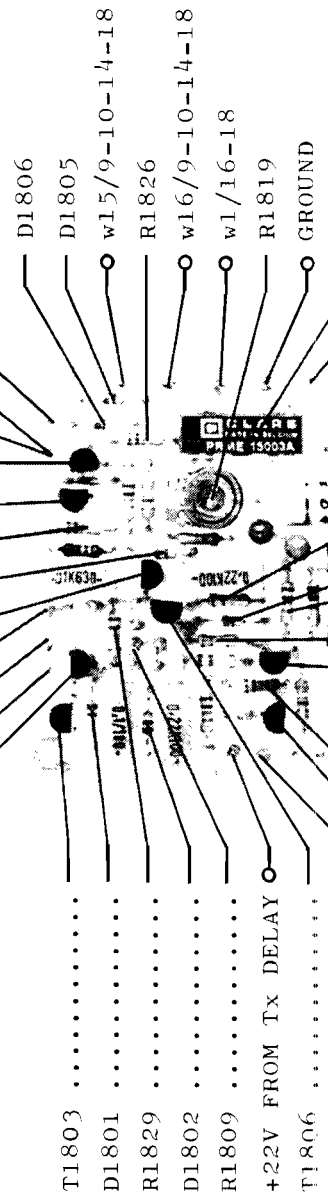
The relay RE1801 switches the signal from the SSB generator to the mixer unit off in receive mode.



A2/2 S1301, S1300TT/T



w1/10-18, +22V SIMPLEX .
 TP35
 w2/9-10-18, Rx-BLOCK ...
 T1809
 T1808
 R1825
 D1804
 T1807
 w2/10-18, +18V TRIG. ...
 w1/9-10-18, 22V FROM KEY
 +22V
 T1802



T1803
 D1801
 R1829
 D1802
 R1809
 +22V FROM TX DELAY
 T1806
 D1806
 D1805
 w15/9-10-14-18
 R1826
 w16/9-10-14-18
 w1/16-18
 R1819
 GROUND

CIRCUIT DESCRIPTION FOR FREQUENCY SELECTOR S1301

This unit converts the coded frequency to the necessary frequency code and band select code for the divider unit and motor control unit.

Furthermore frequencies selected outside the maritime bands will be inhibited, and fixed 2182 kHz can be selected.

NORMAL FREQUENCY SELECT

The frequency code from the frequency selectors S1703 - S1706 and the "A" from S1707 are fed through the gates IC2104 - IC2107 to the divider unit.

The frequency codes from S1706, S1707 and the "A" and "B" from S1708 are fed to the factory programmed read only memory (PROM) and are here used as address. For each possible address the corresponding band select code is programmed in the PROM, and on the addresses corresponding to frequencies outside the maritime bands, the band select code are "1" in both 01, 02, 03 and 04 to ensure that no frequency is selected.

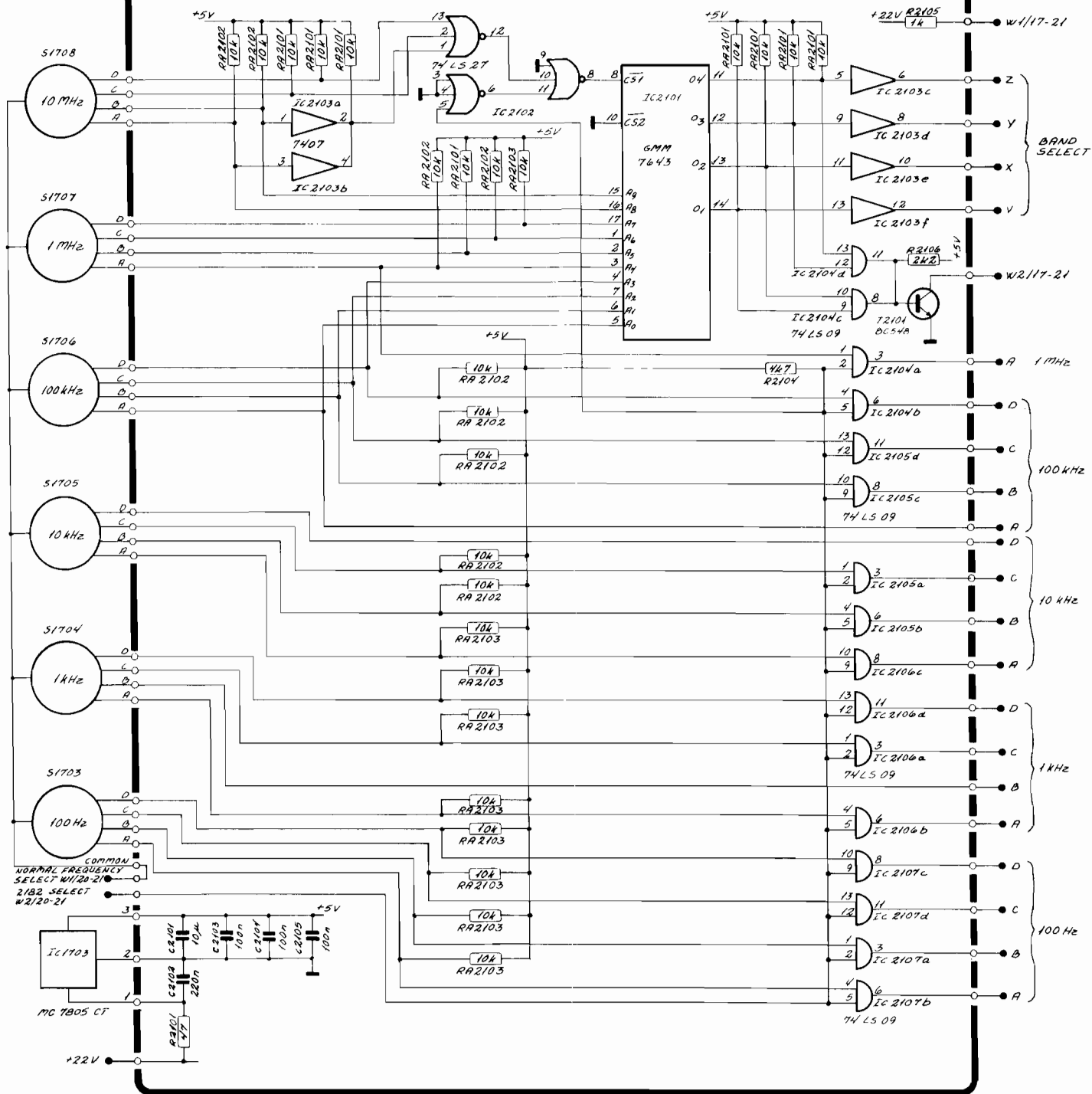
In order to get "1" on the PROM outputs when 3, 4, 5, 6, 7, 8 or 9 is selected on S1708 these figures are detected by IC2103a, IC2103b and IC2102, and the detector output is fed into the PROM IC2101 and disables the outputs.

On the front panel there is a LED to indicate that a frequency outside the maritime bands is selected. This LED is controlled from T2101, and IC2104c and IC2104d detect if there is "1" on all the outputs.

2182 kHz SELECT

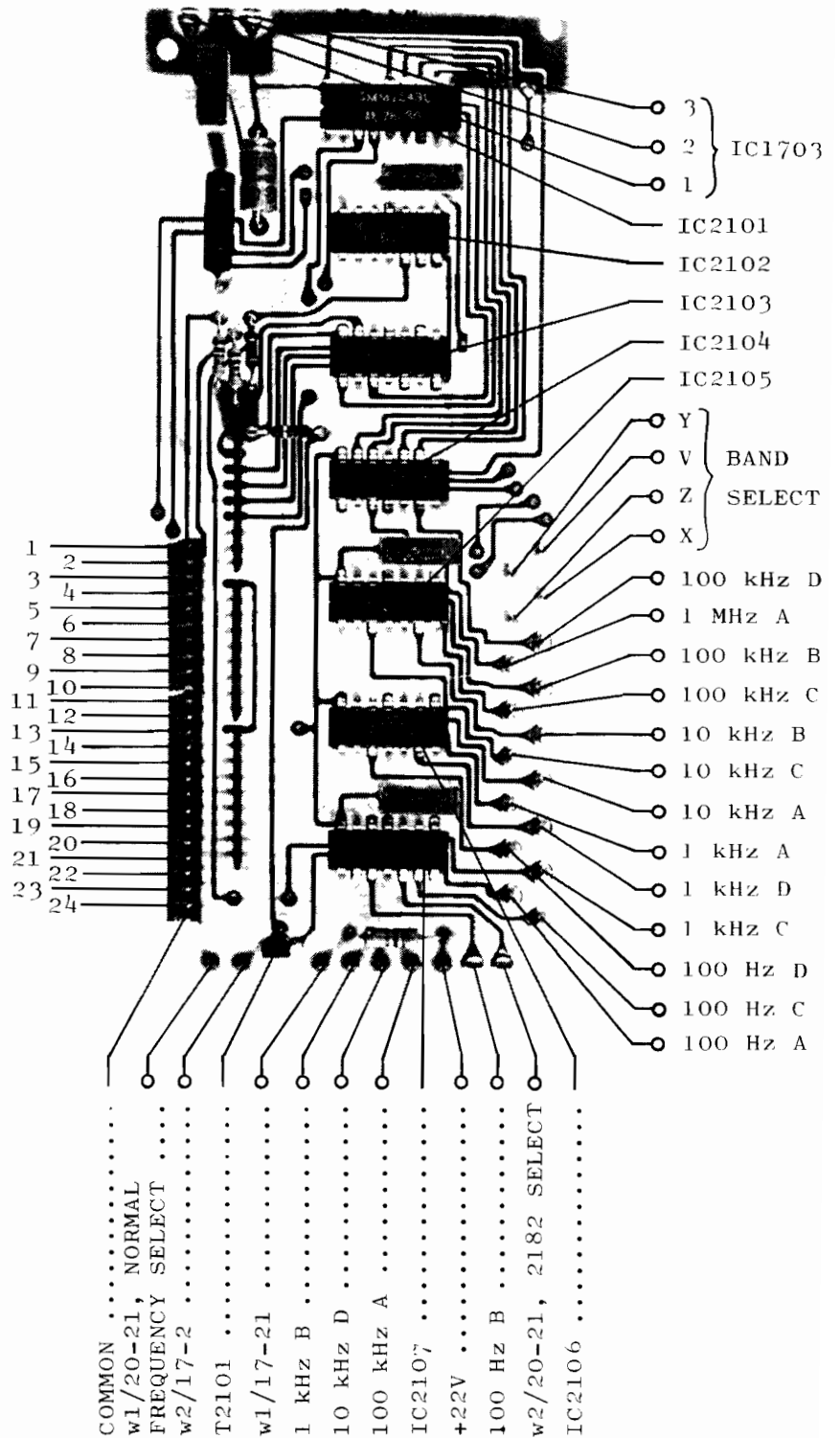
In order to select 2182 kHz the necessary code for the divider unit is fixed programmed on the gates IC2104 to IC2107. To choose this programming the common input is grounded via the 2182 kHz switch on the front panel. From the same switch the common wire for the frequency selectors is left open. This means that all the address inputs to IC2102 are high, and on this address the 2182 kHz band select code is stored.

FREQUENCY SELECTOR (2100)



TO S1703-S1708

- 10 MHz { A-7
B-6
C-5
D-4
- 1 MHz { A-8
B-3
C-2
D-1
- 100 kHz { A-22
B-10
C-11
D-9
- 10 kHz { A-14
B-13
C-12
D-23
- 1 kHz { A-17
B-24
C-16
D-15
- 100 Hz { A-21
B-20
C-19
D-18



A2/100301

CIRCUIT DESCRIPTION FOR MODE SWITCH S1300

This unit contains the necessary switches to switch between the needed operation modes, relays to activate the exciter, one for normal operation and one for 2182 kHz operation. Furthermore there is a relay to secure no A3H transmission above 4 MHz, only activated in some countries.

In the special telegraphy and telex versions there are four further push buttons, and on the printed circuit board there is a special circuit activated in telex mode. When output duty cycle is too high, the output is reduced to protect the power supplies against overload.

SIMPLEX/DUPLEX SELECTOR

The switch is controlling: The RX loudspeaker, the receiver blocking and the simplex relay in the receiver.

MODE SELECTOR

The wanted transmission mode is in the exciter chosen via a + 18V DC voltage fed to necessary diode switches on the SSB generator and the microphone amplifier.

The transmit relay RE1001 is activated via the microtelephone key or, if the TEST ALARM button is pressed, via the alarm signal generator.

The 2182 relay RE1003 is activated from the motor control unit, where it is detected if the distress frequency 2182 is selected

The A3H relay RE1002 interrupts the 18V to the SSB generator, and so ensures no output of the exciter, under two conditions. First A3H is chosen, and second a frequency above 4 MHz is selected. The second condition is detected from the motor control unit and fed via the 400W/800W control wire to the transistor T1001. If the dotted connection on S1002-D3 is removed the A3H relay is disabled and so the exciter is able to transmit A3H in the full frequency range.

Most of the diodes on the mode switch printed circuit board are transient protection diodes, these are: D1001, D1002, D1003, D1009, D1010, D1014, D1015, D1016, D1019 and D1020.

D1004 prevents the alarm signal generator to start when the exciter is keyed and the alarm button is pressed.

D1005, D1006 and D1013 prevents the reduced power to get an unwanted voltage if distress is selected.

D1007 makes it possible to choose A2H or A3H on the microphone amplifier, even if A3H is chosen on the SSB generator.

D1008 makes it impossible for an external voltage on the wire SIMPLEX RELAY RX to disturb the key circuit.

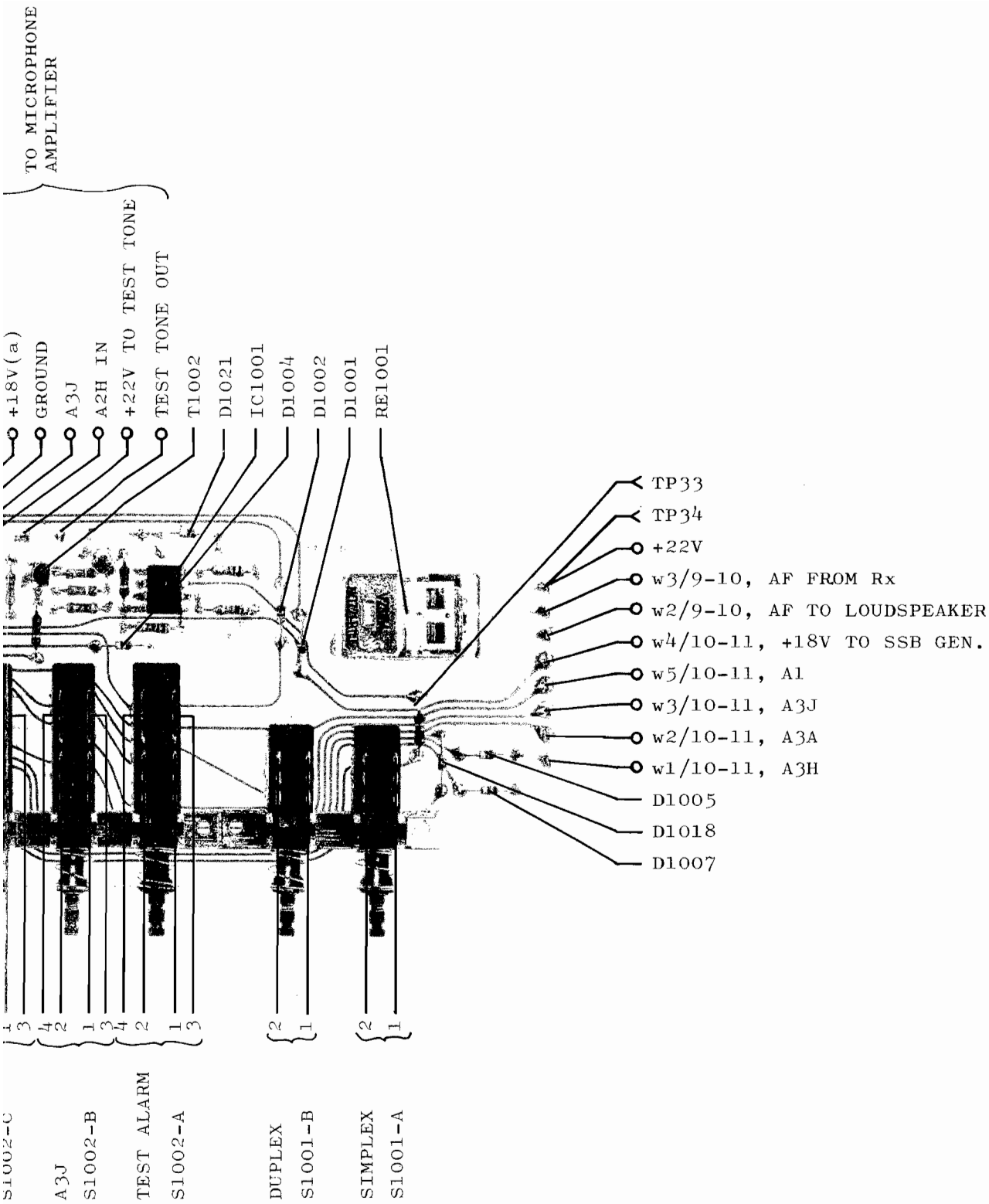
D1101 prevents the wires 22V FROM DELAY and 22V FROM KEY to be connected together and in that way make the delay circuit selflocking.

D1012 prevents the SIMPLEX RELAY RX and the RX BLOCK to follow the key in telephony duplex mode.

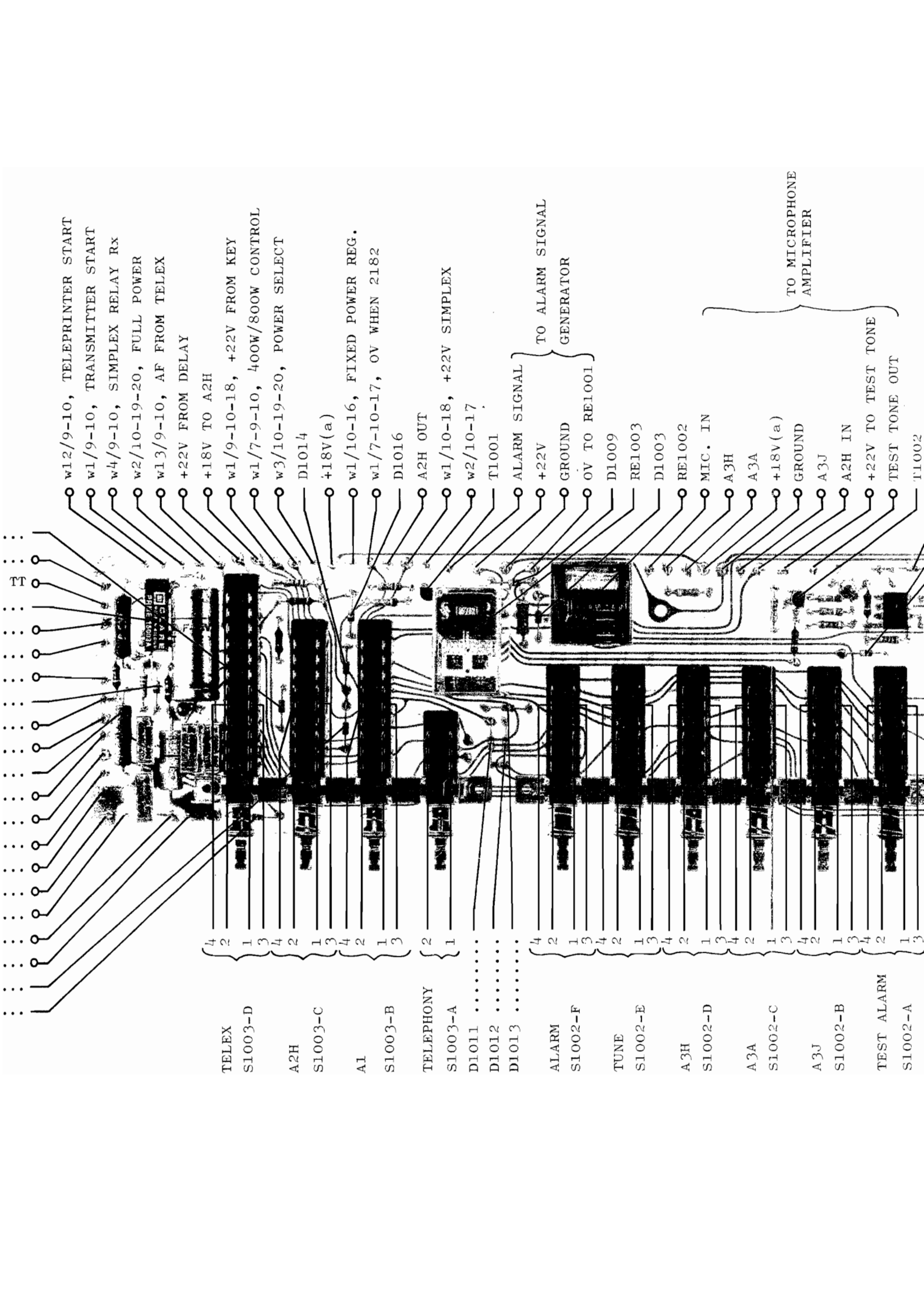
D1018 prevents an external voltage on the RX BLOCK wire to disturb the key circuit. The network: R1005, C1002, C1003, R1004, and C1005 is feeding DC into the microphone.

TELEX POWER CONTROL

The key information is taken from the relay RE1004, and is fed into the buffer IC1001a. The switch information from there is fed into the integrator R1018 and C1008. The diode D1021 compensates the temperature dependent leakcurrent in the capacitor C1008. When the integration voltage (pin 6, IC 1001b) reaches 12.6V (approx. 55% duty cycle) the output of the comparator IC1001b goes low, and turns T1002 off, and so the output power is reduced.



A3/3 S1301, S1300TT/T



w12/9-10, TELEPRINTER START
w1/9-10, TRANSMITTER START
w4/9-10, SIMPLEX RELAY Rx
w2/10-19-20, FULL POWER
w13/9-10, AF FROM TELEX
+22V FROM DELAY
+18V TO A2H
w1/9-10-18, +22V FROM KEY
w1/7-9-10, 400W/800W CONTROL
w3/10-19-20, POWER SELECT

DI014
+18V(a)
w1/10-16, FIXED POWER REG.
w1/7-10-17, OV WHEN 2182
DI016
A2H OUT
w1/10-18, +22V SIMPLEX
w2/10-17
T1001

ALARM SIGNAL
+22V
GROUND
OV TO RE1001
DI009
RE1003
DI003
RE1002
MIC. IN
A3H
A3A
+18V(a)
GROUND
A3J
A2H IN
+22V TO TEST TONE
TEST TONE OUT
T1002

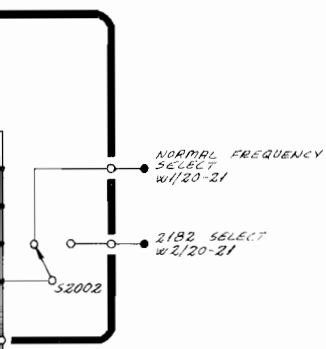
TO ALARM SIGNAL GENERATOR

TO MICROPHONE AMPLIFIER

TELEX S1003-D
A2H S1003-C
A1 S1003-B
TELEPHONY S1003-A
D1011
D1012
D1013
ALARM S1002-F
TUNE S1002-E
A3H S1002-D
A3A S1002-C
A3J S1002-B
TEST ALARM S1002-A

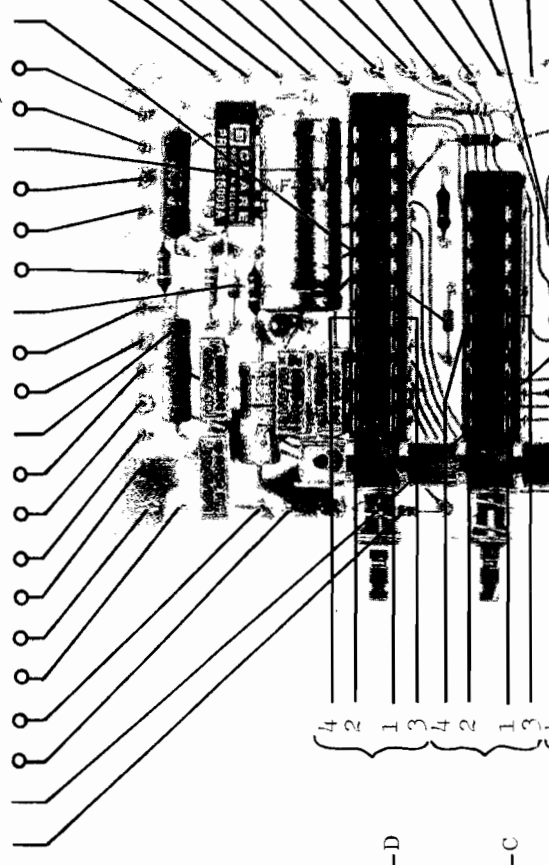
TT

- w2/20-21, 2182 SELECT
- w1/20-21, NORMAL FREQUENCY SELECT
- w2/10-19-20, FULL POWER
- w3/10-19-20, POWER SELECT
- w1/17-19-21
- S2001
- S2002

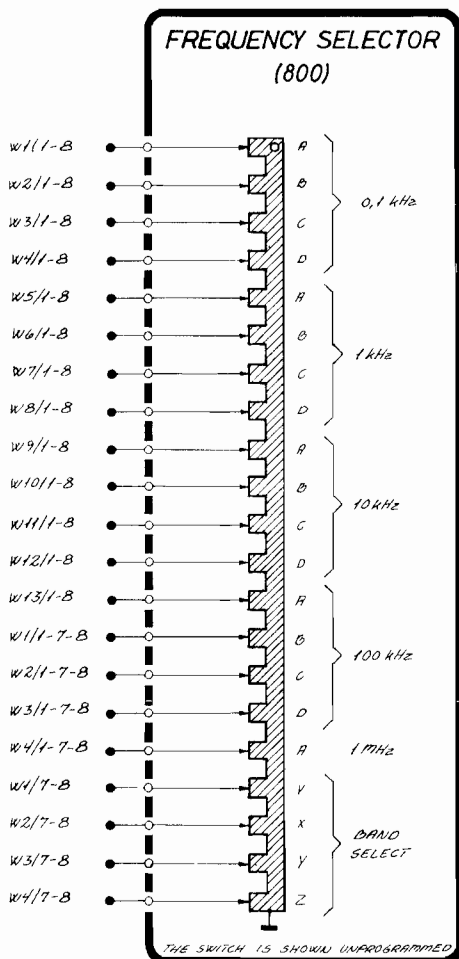
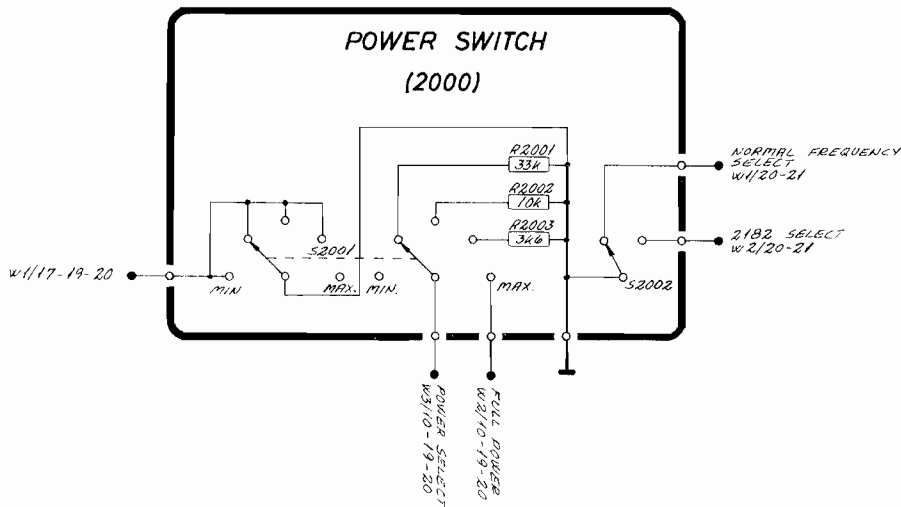
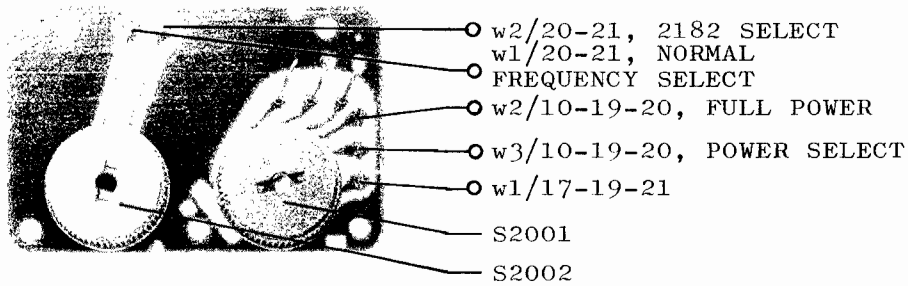


- D1008
- w8/9-10, RT FROM TELEX
- w14/9-10, COMMON FOR RT AND TT
- RE1004
- w16/9-10-14-18, OPEN Tx
- w2/10-18, +18V TRIG
- w2/9-10-18, Rx BLOCK
- D1020
- w1/1-10, Vcc TO 600 kHz
- w1/10-17
- R1012
- w1/10-19
- GROUND WHEN KEY
- w9/9-10, TT FROM TELEX
- GROUND TO J1701 PIN 2
- GROUND TO J1701 PIN 5
- w15/9-10-14-18, OPEN Tx
- MICROTELEPHONE
- MICROPHONE IN
- D1015
- D1019

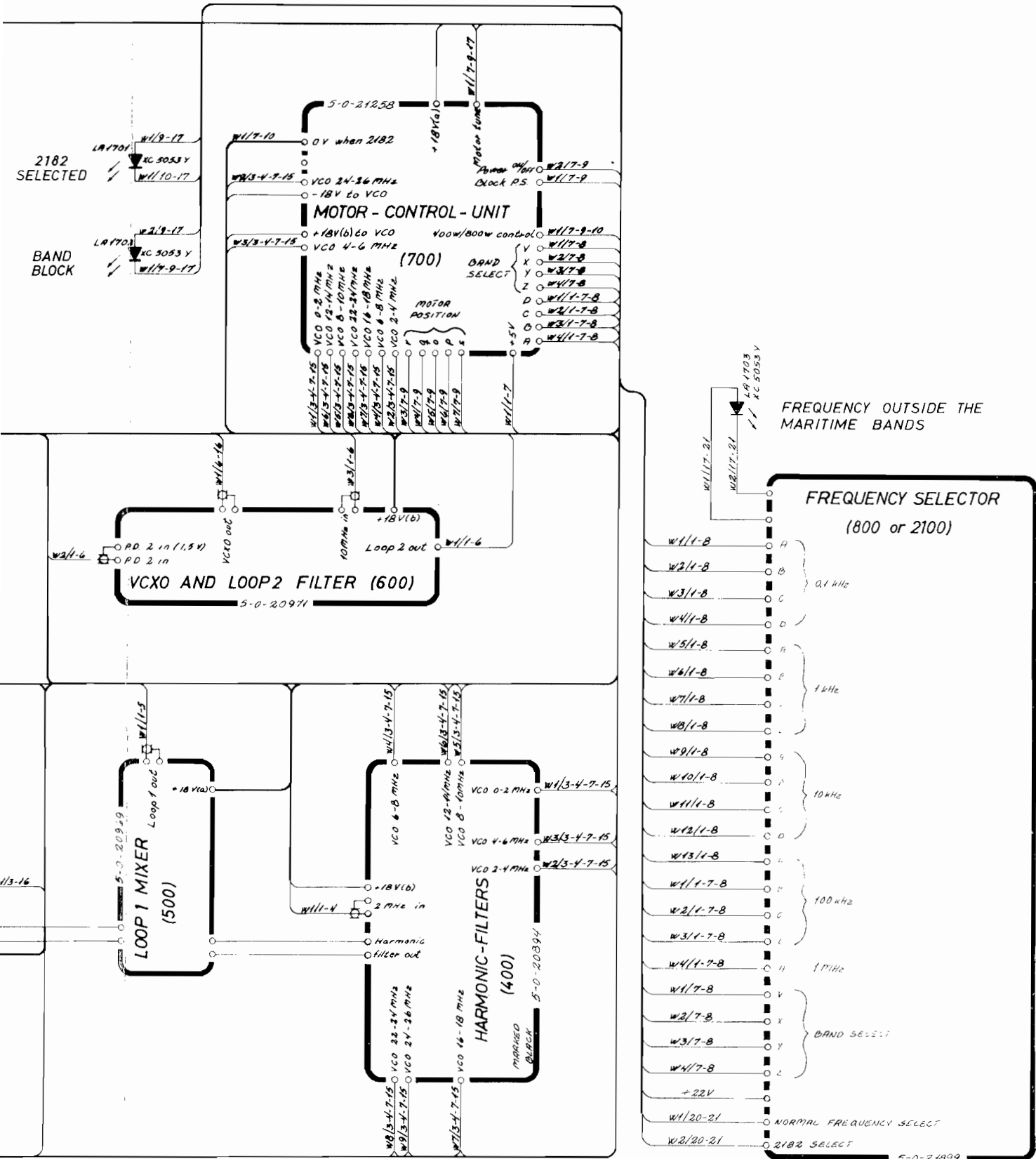
- w12/9-10, TELEPRINTER START
- w1/9-10, TRANSMITTER START
- w4/9-10, SIMPLEX RELAY Rx
- w2/10-19-20, FULL POWER
- w13/9-10, AF FROM TELEX
- +22V FROM DELAY
- +18V TO A2H
- w1/9-10-18, +22V FROM KEY
- w1/7-9-10, 400W/800W CONTROL
- w3/10-19-20, POWER SELECT
- D1014
- +18V(a)



- TELEX { 4 2 1 3 4 2 1 3 }
- S1003-D
- A2H
- S1003-C



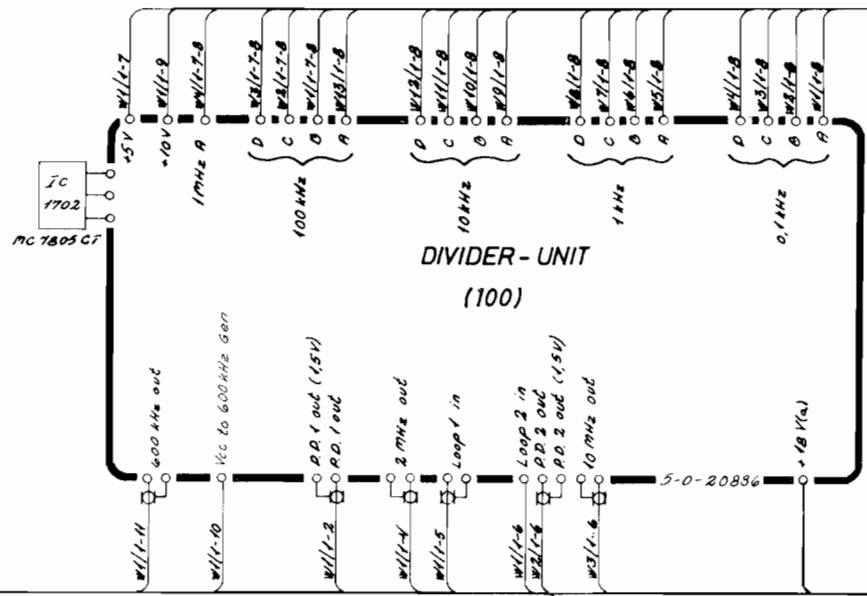
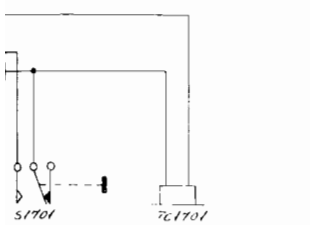
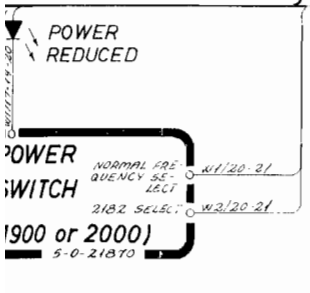
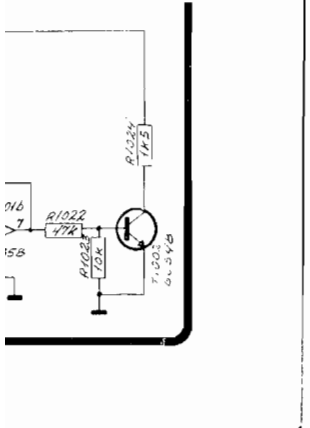
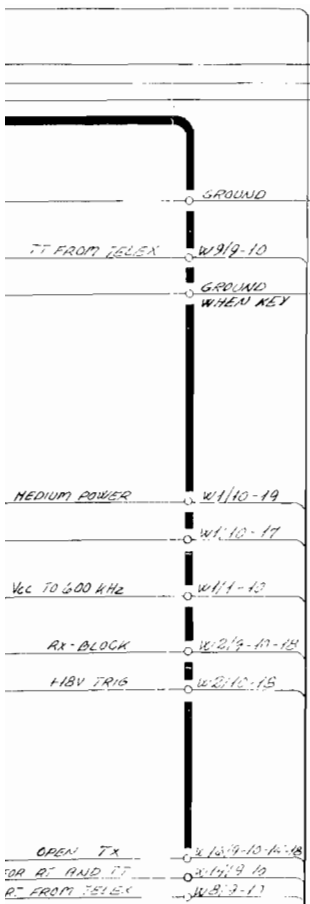
D1008
 w8/9-10, RT FROM TE
 w14/9-10, COMMON FO
 RE1004
 w16/9-10-14-18, OPE
 w2/10-18, +18V TRIG
 w2/9-10-18, Rx BLOC
 D1020
 w1/1-10, Vcc TO 60C
 w1/10-17
 R1012
 w1/10-19
 GROUND WHEN KEY ...
 w9/9-10, TT FROM TE
 GROUND TO J1701 PIN
 GROUND TO J1701 PIN
 w15/9-10-14-18, OPE
 MICROTELEPHONE ...
 MICROPHONE IN
 D1015
 D1019



- | | |
|-----------------------------------|-------------------------|
| 13 TELEPRINTER START | 25 +22V IN |
| 14 TELEPRINTER START | 26 +22V OUT |
| 15 COMMON FOR AF FROM TELEX TO TX | 27 GROUND |
| 16 | 28 COMMON FOR RT AND TT |
| 17 SIMPLEX RELAY RI | 29 RI BLOCK 1/2 |
| 18 RI BLOCK | 30 OPEN TX |
| 19 22V FROM KEY | 31 OPEN TX |
| 20 DRIVE LEVEL POTMETER | 32 RT FROM TELEX |
| 21 DRIVE LEVEL POTMETER | 33 TT FROM TELEX |
| 22 TRANSMITTER START (22V OUT) | 34 22V TO KEY |
| 23 GROUND | 35 |
| 24 -45V | 36 400W/800W CONTROL |

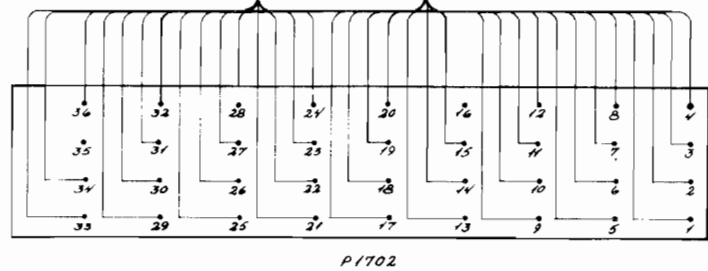
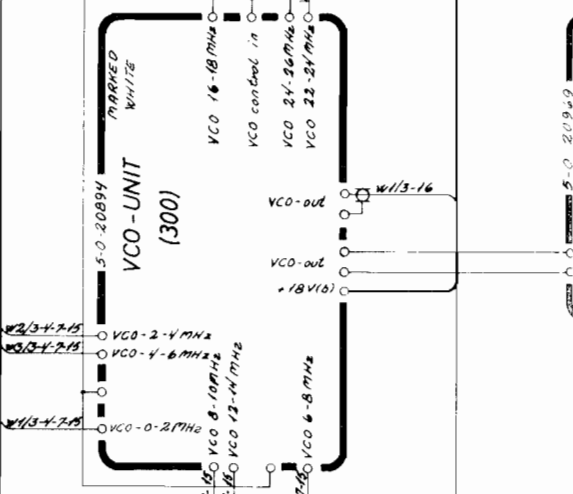
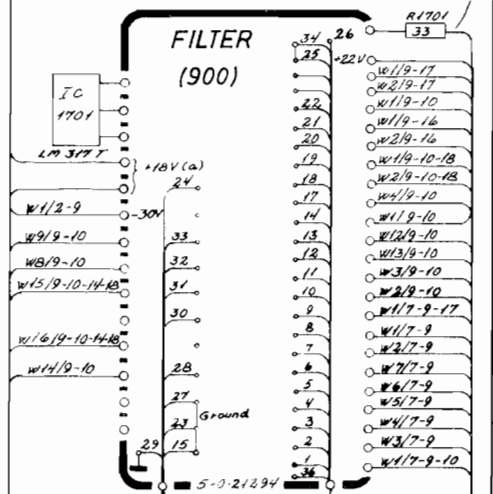
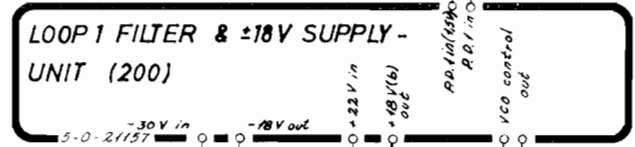
POWER SWITCH	(1900)	(2000)
FREQUENCY SELECTOR	(800)	(2100)
	S130077	S1301

B MAIN SCHEMATIC DIAGRAM
SAILOR SSB S1300TT / S1301
No. 173509 -

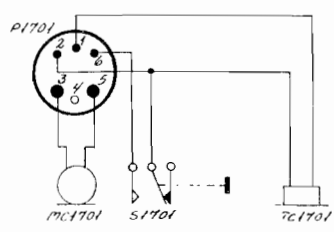
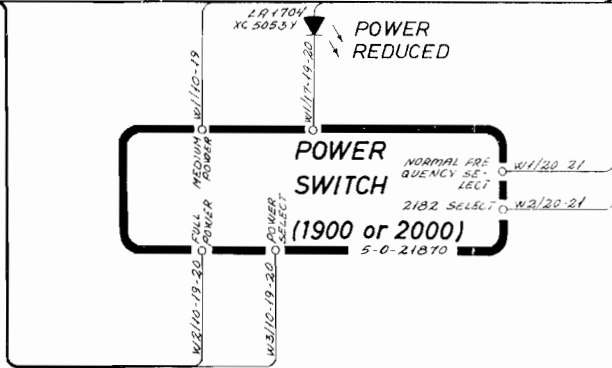
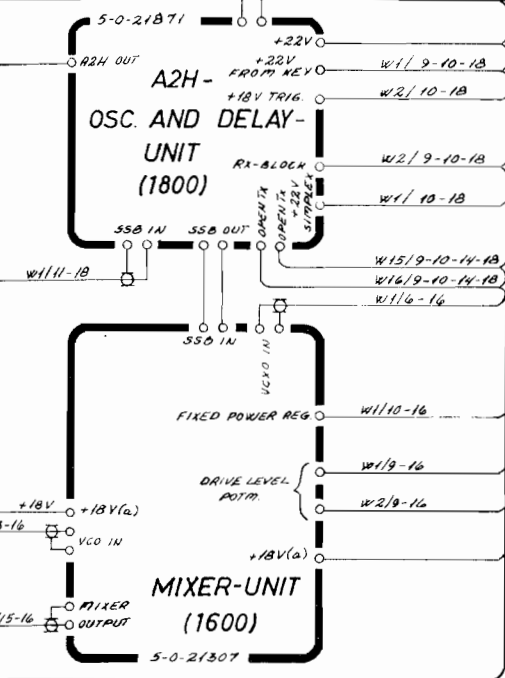
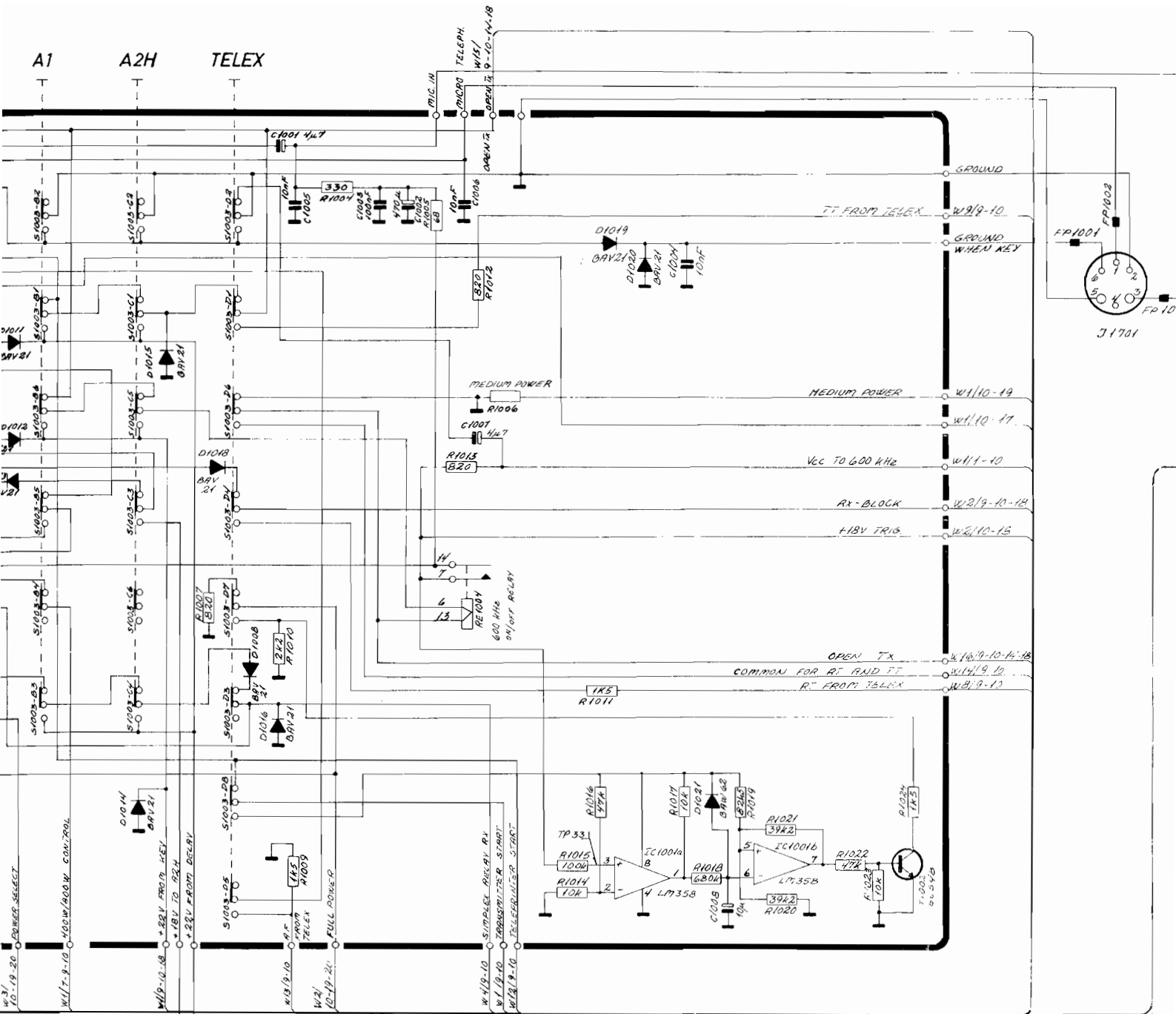


2182
SELECTED

BAND
BLOCK



- 1 400 W/800W CONTROL 13
- 2 R-MOTORCONTROLWIRE 14
- 3 Q-MOTORCONTROLWIRE 15
- 4 Q-MOTORCONTROLWIRE 16
- 5 P-MOTORCONTROLWIRE 17
- 6 S-MOTORCONTROLWIRE 18
- 7 POWER ON/OFF 19
- 8 BLOCK PS 20
- 9 MOTOR TUNE 21
- 10 RF FROM TX 22
- 11 RF FROM Rx 23
- 12 RF FROM TELEX TO TX 24



TEST
SIMPLEX DUPLEX ALARM A3J A3A A3H TUNE ALARM

